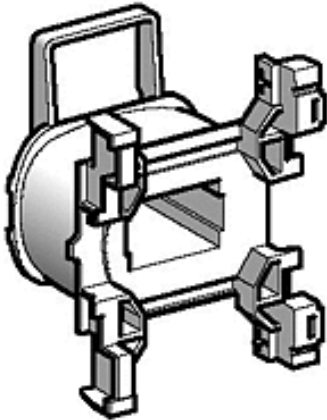


LXD1E7

TeSys D - contactor coil - LXD1 - 48 V AC 50/60 Hz for 9... 38 A contactor

Product availability : Stock - Normally stocked in distribution facility

Price* : 26.20 USD



Main

Range	TeSys
Product or component type	Contactor coil
Device short name	LXD1
Control circuit type	AC 50/60 Hz
[Uc] control circuit voltage	48 V AC 50/60 Hz
Average resistance	21.7 Ohm at 68 °F (20 °C)
Inductance of closed circuit	0.87 H
Product compatibility	CAD LC1DT20...DT40 LC1D09...D38
Mechanical durability	15 Mcycles
Operating rate	3600 cyc/h at <= 140 °F (60 °C)

Complementary

Coil technology	Without built-in suppressor module
Control circuit voltage limits	0.3...0.6 Uc at 140 °F (60 °C) drop-out 50/60 Hz 0.8...1.1 Uc at 140 °F (60 °C) operational 50 Hz 0.85...1.1 Uc at 140 °F (60 °C) operational 60 Hz
Inrush power in VA	70 VA at 68 °F (20 °C) (cos φ 0.75) 60 Hz 70 VA at 68 °F (20 °C) (cos φ 0.75) 50 Hz
Hold-in power consumption in VA	7 VA at 68 °F (20 °C) (cos φ 0.3) 50 Hz 7.5 VA at 68 °F (20 °C) (cos φ 0.3) 60 Hz
Heat dissipation	2...3 W at 50/60 Hz

Environment

Ambient air temperature for operation	23...140 °F (-5...60 °C)
Product weight	0.15 lb(US) (0.07 kg)

Ordering and shipping details

Category	22341 - CONTACTOR,D,K,&F ACCESS
Discount Schedule	I12
GTIN	00785901214045
Nbr. of units in pkg.	1
Package weight(Lbs)	0.17000000000000001
Returnability	Y
Country of origin	FR

Contractual warranty

Warranty period	18 months
-----------------	-----------