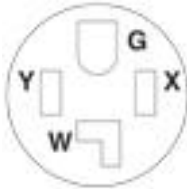




Color:  Black

UPC Code: 07847710024

NEMA:  
14-30R



# 55054

## Brand Features

Built of durable thermoplastic, Leviton Power Receptacles — come equipped with heavy-gauge, double-wire copper alloy contacts. To ensure correct and speedy wiring, terminals have ID markings.

## Item Description

30 Amp, 125/250 Volt, NEMA 14-30R, 3P, 4W, Surface Mtg Receptacle, Straight Blade, Industrial Grade, Grounding, , Side Wired, Steel Strap, - Black

## Technical Information

### AC Horsepower Ratings

**At Rated Voltage:** 2 HP

### Electrical Specifications

**Grounding:** Grounding

**Amperage:** 30 A

**Voltage:** 125/250 VAC

**Pole:** 3

**Wire:** 4

**Dielectric Voltage:** Withstands 2000V per UL498

**Current Limiting:** Full Rated Current

**Temperature Rise:** Max 30C after 50 cycles OL at 150 percent rated current

### Environmental Specifications

**Flammability:** Rated V-2 per UL 94

**Operating Temperature:** -40°C to 60°C

### Material Specifications

**Face Material:** Thermoplastic

**Body Material:** Thermoplastic

**Strap Material:** Galvanized Steel

**Color:** Black

### Mechanical Specifications

**Terminal ID:** Brass-Hot, Green-Ground, Silver-Neutral

**Terminal Accom.:** Up to 4 AWG

**Product ID:** Ratings are permanently marked on device

### Product Features

**NEMA:** 14-30R

**Color:** Black

**Amperage:** 30 A

**Voltage:** 125/250 VAC

### Standards and Certifications

**NEMA:** WD-6

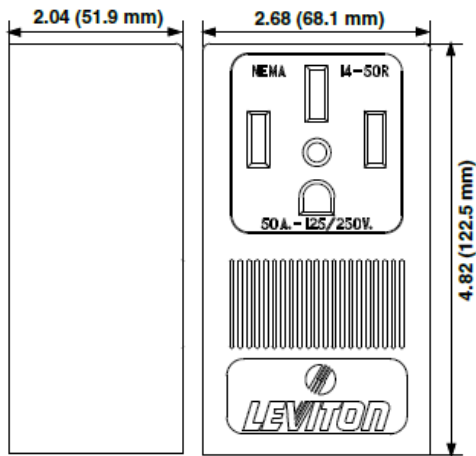
**ANSI:** C-73

**UL498:** File E13399

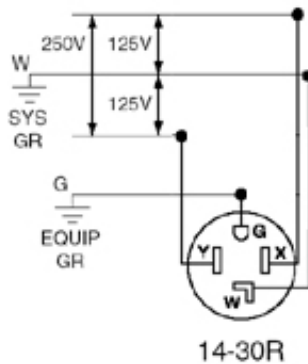
**CSA C22.2 No. 42:** File 152105

**NOM:** 057

**Warranty:** 10 Year Limited



### Wiring Diagram



### SPECIFICATION SUBMITTAL

JOB NAME:	CATALOG NUMBERS:	
<input type="text"/>	<input type="text"/>	<input type="text"/>
JOB NUMBER:	<input type="text"/>	<input type="text"/>

#### Leviton Manufacturing Co., Inc.

201 North Service Road, Melville, NY 11747

Teléfono: +1-800-323-8920 · FAX: +1-800-832-9538 · Tech Line (8:30AM-7:30PM E.S.T. Monday-Friday): +1-800-824-3005

#### Leviton Manufacturing of Canada, Ltd.

165 Hymus Boulevard, Pointe Claire, Quebec H9R 1E9 · Telephone: +1-800-469-7890 ·

FAX: +1-800-824-3005 · [www.leviton.com/canada](http://www.leviton.com/canada)

#### Leviton S. de R.L. de C.V.

Lago Tana 43, Mexico DF, Mexico CP 11290 · Tel.: (+52)55-5082-1040 · FAX: (+52)5386-

1797 · [www.leviton.com.mx](http://www.leviton.com.mx)

Visit our Website at: [www.leviton.com](http://www.leviton.com)

© 2018 Leviton Manufacturing Co., Inc. Todos los derechos reservados. Subject to change without notice.

#### Leviton has a global presence.

If you would like to know where your local Leviton office is located please go to:

[www.leviton.com/international/contacts/](http://www.leviton.com/international/contacts/)

