

# 5239

## Brand Features

Leviton's commercial/industrial grade flanged wiring devices are available in 15A & 20A versions and feature heavy duty construction for many years of service life.

## Item Description

15 Amp, 125 Volt, NEMA 5-15P, 2P, 3W, Flanged Inlet Receptacle, Straight Blade, Commercial Grade, Grounding, , , Back Wired, Thermoplastic Nylon Strap, - Black

## Technical Information

### Electrical Specifications

**Amperage:** 15 A

**Current Interrupting:** Certified for current interrupting at full rated current

**Dielectric Voltage:** Withstands 2000V per UL498

**Grounding:** Grounding

**Pole:** 2

**Temperature Rise:** Max 30C after 50 cycles OL at 150 percent rated current

**Voltage:** 125 VAC

**Wire:** 3

### Environmental Specifications

**Flammability:** Rated V-2 per UL 94

**Operating Temperature:** -40°C to 60°C

### Material Specifications

**Body Material:** Nylon

**Color:** Black

**Face Material:** Nylon

**Strap Material:** Thermoplastic Nylon

### Mechanical Specifications

**Cord Range:** .245 - .700

**Product ID:** Ratings and NEMA I.D. permanently marked on device

**Terminal Accom.:** 18-12 AWG

**Terminal ID:** Brass-Hot, Green-Ground, White-Neutral

**Termination:** Back

### Product Features

**Color:** Black

**NEMA:** 5-15P

### Standards and Certifications

**ANSI:** C-73

**CSA C22.2 No. 42:** File LR-406

**NEMA:** WD-6

**NOM Certified:** 057

**UL:** Listed



Color:  Black

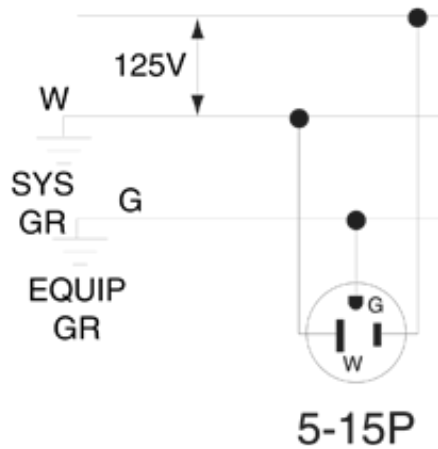
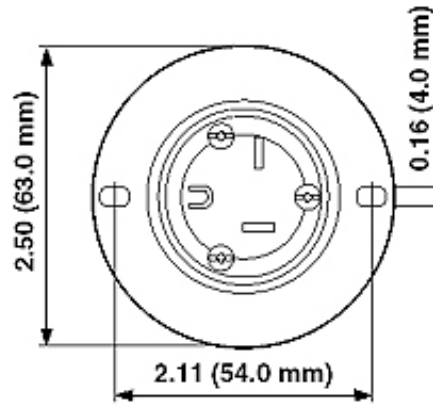
UPC Code: 07847722890

Country Of Origin: Mexico

NEMA:  
5-15P



### Dimensional Diagram



### SPECIFICATION SUBMITTAL

JOB NAME: <input type="text"/>	CATALOG NUMBERS: <input type="text"/>	
JOB NUMBER: <input type="text"/>	<input type="text"/>	<input type="text"/>

#### Leviton Manufacturing Co., Inc.

201 North Service Road, Melville, NY 11747

Teléfono: +1-800-323-8920 · FAX: +1-800-832-9538 · Tech Line (8:30AM-7:30PM E.S.T. Monday-Friday): +1-800-824-3005

#### Leviton Manufacturing of Canada, Ltd.

165 Hymus Boulevard, Pointe Claire, Quebec H9R 1E9 · Telephone: +1-800-469-7890 ·

FAX: +1-800-824-3005 · [www.leviton.com/canada](http://www.leviton.com/canada)

#### Leviton S. de R.L. de C.V.

Lago Tana 43, Mexico DF, Mexico CP 11290 · Tel.: (+52)55-5082-1040 · FAX: (+52)5386-

1797 · [www.leviton.com.mx](http://www.leviton.com.mx)

Visit our Website at: [www.leviton.com](http://www.leviton.com)

© 2018 Leviton Manufacturing Co., Inc. Todos los derechos reservados. Subject to change without notice.

#### Leviton has a global presence.

If you would like to know where your local Leviton office is located please go to:

[www.leviton.com/international/contacts/](http://www.leviton.com/international/contacts/)

