



Product Datasheet

ANDERSON FARGO

WTTFR3060D90 -- Tee, Aluminum Weldment



Tee, Aluminum Weldment, Tube to Flat, 3 to 6 IPS/EHIPS Tube to 4 in, 4 hole 90 degree Flat

Product Specifications

Family Image



Tees

Tees

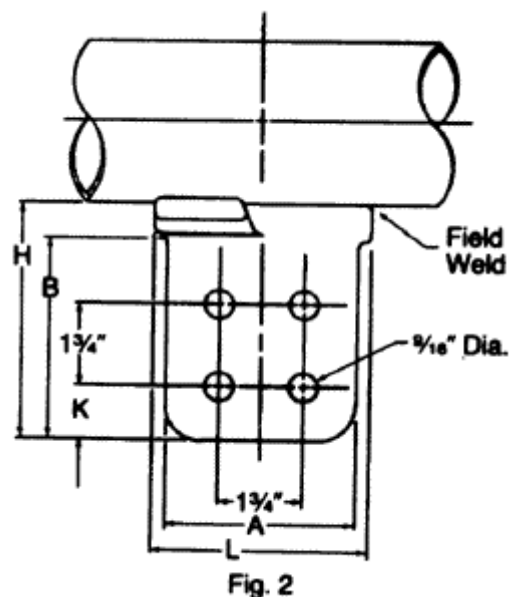
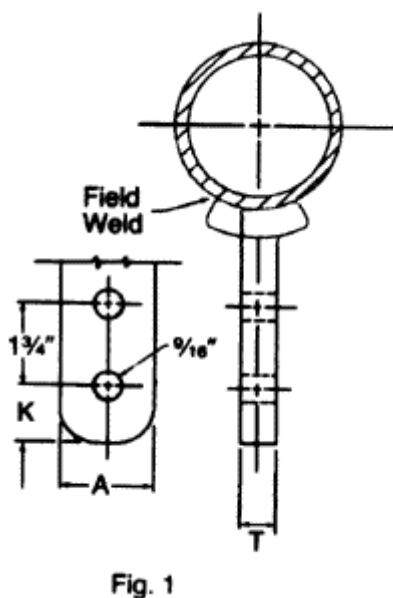
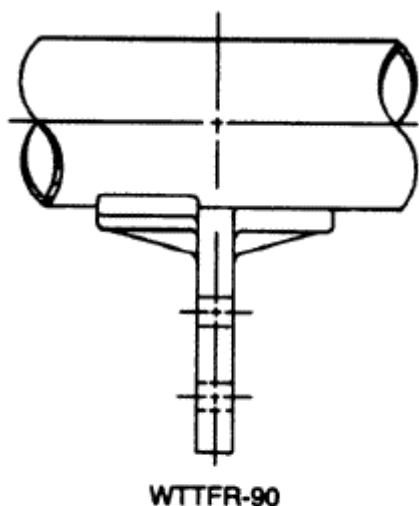


WTTFR Series
Tube to Flat
Aluminum Weldment Tees

PDF Catalog Page	Click HERE to view the web page.
Flat Bar Tap Width	4 in
Pad Holes	4
Pad Width	4
Pad Plane	90 degrees to bus tube
Main Conductor Minimum Diameter	3.5
Main Conductor Maximum Diameter	6.625
Material Type	Standard
UPC Code	09635934393
Standard Package	12
Standard Package Unit	Each
Min Order Qty	1
Weight / Ea.	1.568 lbs

Compressed Product Number

WTTFR3060D90



[Catalog Home](#)



[Warranty Info](#) | [Trademarks](#) | [Terms of Use](#)

All contents Copyright © 2007 Hubbell Power Systems, Inc. All rights reserved.

NOTE: Because Hubbell has a policy of continuous product improvement, we reserve the right to change design and specifications without notice.