



Color:  Black

UPC Code: 07847777804

Country Of Origin: Mexico

NEMA:  
L7-15R



## 4750

### Brand Features

Leviton's Industrial Grade Locking Devices are built to provide unparalleled quality and superior performance in the most severe industrial settings. Leviton combines the best materials available with superior production standards to produce a broad selection of Locking Devices of unmatched flexibility and dependability.

### Item Description

15 Amp, 277 Volt, NEMA L7-15R, 2P, 3W, Duplex Locking Receptacle, Industrial Grade, Grounding - BLACK

### Technical Information

#### AC Horsepower Ratings

**At Rated Voltage:** 2 HP

#### Electrical Specifications

**Grounding:** Grounding

**Amperage:** 15 A

**Voltage:** 277 VAC

**Pole:** 2

**Wire:** 3

**Dielectric Voltage:** Withstands 2000V per UL498

**Current Limiting:** Full Rated Current

**Temperature Rise:** Max 30C after 250 cycles OL at 200 percent rated current

#### Environmental Specifications

**Flammability:** Rated V-2 per UL 94

**Operating Temperature:** -40°C to 60°C

**Environment:** Dry

#### Material Specifications

**Face Material:** Nylon

**Body Material:** Nylon

**Line Contacts:** Brass .031 Thick

**Terminal Screws:** Brass 10-32

**Grounding Screw:** Brass 8-32

**Yoke:** Zinc-Plated Steel

**Strap Material:** Steel

**Color:** Black

#### Mechanical Specifications

**Terminal ID:** Brass-Hot, Green-Ground, Silver-Neutral

**Product ID:** Ratings and NEMA I.D. permanently marked on device

**Terminal Accom.:** 18-10 AWG

**Termination:** Back & Side

#### Product Features

**NEMA:** L7-15R

**Color:** Black

**Device Type:** Locking Receptacle

#### Standards and Certifications

**NEMA:** WD-6

**ANSI:** C-73

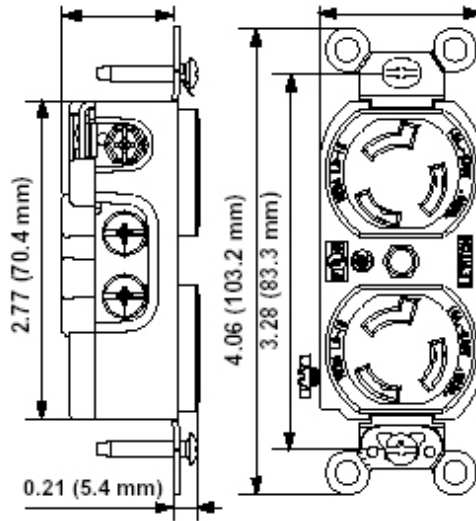
**UL498:** File E13399

**UL Fed Spec WC-596:** File E13399

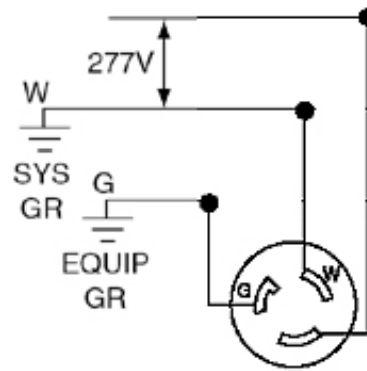
**CSA C22.2 No. 42:** File LR-406

**NOM:** 057

**Warranty:** Lifetime Warranty



**Wiring Diagram**



**L7-15R**

**SPECIFICATION SUBMITTAL**

JOB NAME:	CATALOG NUMBERS:	
<input type="text"/>	<input type="text"/>	<input type="text"/>
JOB NUMBER:	<input type="text"/>	<input type="text"/>

**Leviton Manufacturing Co., Inc.**

201 North Service Road, Melville, NY 11747

Teléfono: +1-800-323-8920 · FAX: +1-800-832-9538 · Tech Line (8:30AM-7:30PM E.S.T. Monday-Friday): +1-800-824-3005

**Leviton Manufacturing of Canada, Ltd.**

165 Hymus Boulevard, Pointe Claire, Quebec H9R 1E9 · Telephone: +1-800-469-7890 ·

FAX: +1-800-824-3005 · [www.leviton.com/canada](http://www.leviton.com/canada)

**Leviton S. de R.L. de C.V.**

Lago Tana 43, Mexico DF, Mexico CP 11290 · Tel.: (+52)55-5082-1040 · FAX: (+52)5386-

1797 · [www.leviton.com.mx](http://www.leviton.com.mx)

Visit our Website at: [www.leviton.com](http://www.leviton.com)

© 2018 Leviton Manufacturing Co., Inc. Todos los derechos reservados. Subject to change without notice.

**Leviton has a global presence.**

If you would like to know where your local Leviton office is located please go to:

[www.leviton.com/international/contacts/](http://www.leviton.com/international/contacts/)

