



# 1221-PLC

## Brand Features

Leviton's Industrial Grade AC toggle switches for extra heavy-duty applications represent top-of-the-line quality and peak performance. Leviton uses the finest materials available and the highest production standards to produce industrial switches of unmatched versatility and reliability.

## Item Description

20 Amp, 120 Volt, Toggle Pilot Light - Illuminated ON - Req. Neutral Single-Pole AC Quiet Switch, Industrial Grade, Self Grounding, Back & Side Wired, - Clear

## Technical Information

### AC Horsepower Ratings

**HP Rating:** 1HP-120V

### Electrical Specifications

**Amperage:** 20 A

**Dielectric Voltage:** Withstands 1500V for 1 minute

**Endurance:** 50,000 cycles minimum

**Grounding:** Self-Grounding

**Overload UL20 Test:** 100 cycles of OL at 4.8 times rated current

**Temperature Rise:** Maximum 30 degrees C rise

**Voltage:** 120 VAC

### Environmental Specifications

**Flammability:** Rated V-2 per UL 94

**Operating Temperature:** -40°C to 65°C

### Material Specifications

**Base Material:** Thermoplastic

**Color:** Clear

**Contact Material:** Silver Alloy

**Cover Material:** Thermoplastic

**Ground Clips:** Brass

**Grounding Screw:** Brass 8-32

**Strap Material:** Steel

**Terminal Screws:** Brass 8-32

**Toggle:** Polycarbonate

### Mechanical Specifications

**Product ID:** Ratings are permanently marked on device

**Terminal Accom.:** 14-#10 AWG back wired; #14-#12 AWG side wired

**Terminal ID:** Brass-Hot Black-Hot White-Neutral Green-Gnd

**Torque Range:** 12-14 inch pounds

**Termination:** Back or Side Wire

### Product Features

**Actuator Material:** Polycarbonate

**Body Material:** Thermoplastic

**Color:** Clear

**Feature:** Pilot Light - Illuminated ON - Req. Neutral

**Grounding:** Self-Grounding

**Strap Material:** Steel

**Grade:** Extra Heavy-Duty Industrial Specification Grade

**Feature 2:** Illuminated - Load ON (Pilot Light)

**Function:** Single-Pole

**Device Type:** Toggle Switch

### Standards and Certifications

**ANSI:** C-73

**CSA C22.2 No. 111:** File #152105

**NEMA:** WD-1 & WD-6

**NOM:** 057

**RoHS:** Compliant

**UL Fed Spec WS896E:** File #E7458

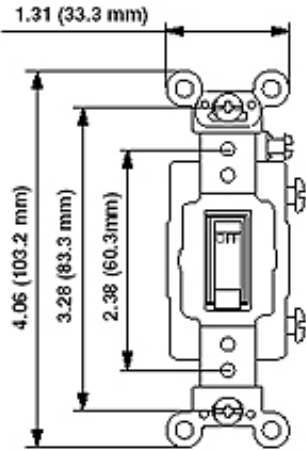
**UL Standard:** UL 20

**Warranty:** 10 Year Limited

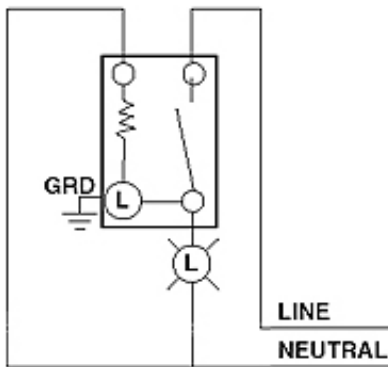
**Color:** Clear

**UPC Code:** 07847722444

### Dimensional Diagram



### Wiring Diagram Single-Pole Pilot



### SPECIFICATION SUBMITTAL

JOB NAME: <input type="text"/>	CATALOG NUMBERS: <input type="text"/>	<input type="text"/>
JOB NUMBER: <input type="text"/>	<input type="text"/>	<input type="text"/>

#### Leviton Manufacturing Co., Inc.

201 North Service Road, Melville, NY 11747

Teléfono: +1-800-323-8920 · FAX: +1-800-832-9538 · Tech Line (8:30AM-7:30PM E.S.T. Monday-Friday): +1-800-824-3005

#### Leviton Manufacturing of Canada, Ltd.

165 Hymus Boulevard, Pointe Claire, Quebec H9R 1E9 · Telephone: +1-800-469-7890 ·

FAX: +1-800-824-3005 · [www.leviton.com/canada](http://www.leviton.com/canada)

#### Leviton S. de R.L. de C.V.

Lago Tana 43, Mexico DF, Mexico CP 11290 · Tel.: (+52)55-5082-1040 · FAX: (+52)5386-

1797 · [www.leviton.com.mx](http://www.leviton.com.mx)

Visit our Website at: [www.leviton.com](http://www.leviton.com)

© 2018 Leviton Manufacturing Co., Inc. Todos los derechos reservados. Subject to change without notice.

#### Leviton has a global presence.

If you would like to know where your local Leviton office is located please go to:

[www.leviton.com/international/contacts/](http://www.leviton.com/international/contacts/)

