

Arktite WSRD interlocked receptacles with enclosed safety disconnect switches

3P

Eaton Cutler-Hammer safety disconnect switch

Applications:

- Used as a service outlet for portable or fixed electrical equipment, such as generators, compressors, welders, portable tools, conveyors, lighting systems and similar equipment
- Designed for use in non-hazardous areas where dust, moisture and corrosion may be a problem
- Designed for flush or surface mounting
- A fusible switch, when used, provides short circuit protection

Features:

- Optional window allows viewing of both visible blade and indicating type fuses
- HP rated enclosed switch for motor load applications
- Optional 22½° rotated interior of receptacle allows for differentiation when used on circuits of different voltages
- Ground bar supplied as standard and connected to 4th wire in receptacle
- The switch enclosure and receptacle are interlocked with the body and operating mechanism; the enclosure cannot be opened when the plug is engaged and switch is in ON position
- Switch cannot be turned on with enclosure door open
- Interlock mechanism on the receptacle prevents plug from being disengaged under load
- Factory adjusted interlock rod assures optimal interface with receptacle
- Tool-free cover latches for quick and easy access
- Corrosion- and impact-resistant
- Type 4X, watertight and IP66 ratings (model dependent)
- Door with seamless gasket prevents moisture ingress
- Handle with insulated grip features a positive stop in both ON and OFF positions
- Complies with OSHA lockout/tagout requirements
- Corro-free powder coat epoxy and threaded cap ensure added corrosion resistance (stainless steel model only)
- Split pin, self-wiping naval brass contacts in receptacle provide nearly 360° contact and ensure better contact life

Certifications and compliances:

Sheet steel model:

NEC/CEC:

- Enclosure Type 3R, 12

UL standards:

- UL98
- UL1682

cUL standard:

- Certified by UL to CSA standard C22.2 Nos. 4, 182.1

Stainless steel model:

NEC/CEC:

- Enclosure Type 4, 4X

UL standards:

- UL98
- UL1682

cUL standard:

- Certified by UL to CSA standard C22.2 Nos. 4, 182.1

Standard materials:

Sheet steel model:

- Enclosure – sheet steel
- Hardware – stainless steel
- Receptacle housing – copper-free aluminum
- Contacts – naval brass
- Interlock mechanism – stainless steel

Stainless steel model:

- Enclosure – Type 304 stainless steel
- Hardware – stainless steel
- Receptacle housing – copper-free aluminum
- Contacts – naval brass
- Interlock mechanism – stainless steel

Standard finishes:

Sheet steel model:

- Aluminum – natural
- Brass – natural

Stainless steel model:

- Stainless steel – natural (enclosure)
- Aluminum – Corro-free epoxy powder (receptacle)
- Brass – natural (contacts)

Electrical ratings:

- 3- and 4-pole; fusible or non-fusible
- 240 VAC, 250 VDC, 480 VAC, 600 VAC
- 30, 60, 100 amperes
- Maximum horsepower ratings: 15 to 75 HP



Sheet steel with window



Stainless steel with window

Accessories (ordered separately):

Description	Cat. #
• Control pole kit (for 2-pole, 3-pole switches).....	DS16CP
400-600A DG, 30-1200A DH, 30-800A DT	
Neutral kits:	
• 30-60A DH	DH030NK
• 100A DH	DH100NK
Auxiliary contact kits:	
• 1 N.O./1 N.C.....	DS200EK1
All switches except 30-100A DG switches	
• 2 N.O./2 N.C.....	DS200EK2
All switches except 30-100A DG switches	
Fuse puller kits:	
• 30-60A	DS30FP
• 100A DH	DS100FP
"R" fuse adapter kits:	
• 30A, 600V DH and DT; 60A, 240V DH and DT; 60A DG	DS16FK
• 100A, 240-600V DH, DT	DS36FK

Arktite WSRD interlocked receptacles with enclosed safety disconnect switches

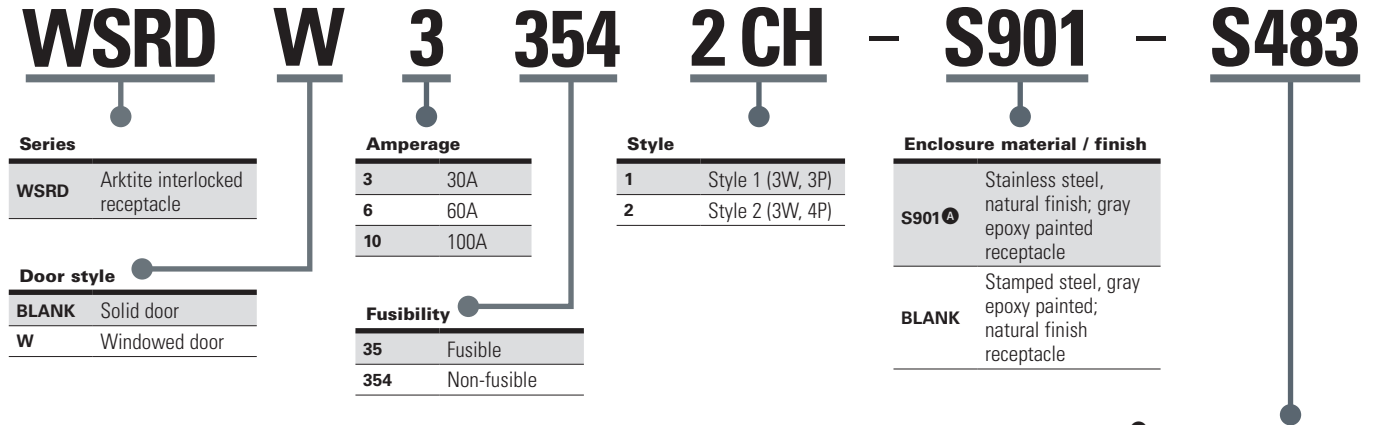
3P

Eaton Cutler-Hammer safety disconnect switch

Ordering information:

Part number example

WSRDW33542CH - S901 - S483



Horsepower ratings:

Amperage	Three-phase: 480 VAC		Three-phase: 600 VAC	
	Std.	Max.	Std.	Max.
30	5	15	7.5	20
60	15	30	15	50
100	25	60	30	75

Note: Style 1 and Style 2 have the same horsepower ratings. Fusible models have the same horsepower ratings as non-fusible models when used with the appropriate time delay fuses.

Dimensions:

Solid door (no window)

	30A	60A	100A
A	5.50 (140)	5.50 (140)	5.50 (140)
B	8.94 (227)	8.44 (214)	11.14 (283)
C	7.73 (196)	7.73 (196)	11.48 (291)
D	10.21 (259)	10.20 (259)	10.21 (259)
E	8.22 (209)	8.22 (209)	8.22 (209)
F	5.50 (140)	5.50 (140)	5.50 (140)
G	15.82 (402)	15.82 (402)	21.69 (551)
H	19.09 (485)	19.09 (485)	24.96 (634)
I	23.43 (595)	24.60 (624)	31.05 (788)
J	5.97 (152)	7.14 (181)	7.73 (196)

Dimensions in inches (millimeters).

Windowed door

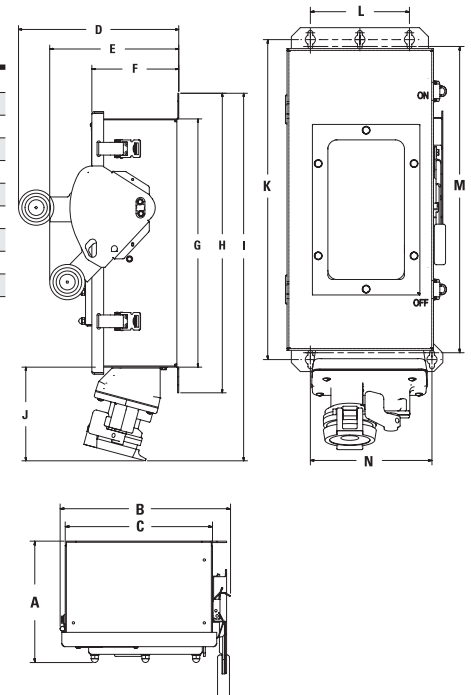
	30A	60A	100A
A	6.37 (162)	6.37 (162)	6.37 (162)
B	8.94 (227)	8.40 (213)	10.76 (273)
C	7.73 (196)	7.73 (196)	11.97 (304)
D	10.21 (259)	10.21 (259)	10.21 (259)
E	8.22 (209)	8.22 (209)	8.22 (209)
F	5.54 (141)	5.54 (141)	5.54 (141)
G	15.82 (402)	15.82 (402)	21.69 (551)
H	19.09 (485)	19.09 (485)	24.96 (634)
I	23.43 (595)	24.60 (624)	31.05 (788)
J	5.97 (152)	7.14 (181)	7.73 (196)

Dimensions in inches (millimeters).

Mounting (center-to-center)

	30A	60A	100A
K	17.76 (451)	17.76 (451)	23.63 (600)
L	5.50 (140)	5.50 (140)	8.50 (216)
M	17.00 (432)	17.00 (432)	22.87 (581)
N	6.75 (171)	6.75 (171)	9.75 (248)

Dimensions in inches (millimeters).



^A Only available for Style 2 3-wire, 4-pole.

^B If ordering both options, list S483 suffix first in catalog number.

3P

Arktite WSR interlocked receptacles with enclosed disconnect switches

NEMA 3R, 4, 12
Raintight
Watertight
Corrosion-resistant

3P

Applications:

- Used as a service outlet for portable or fixed electrical equipment – generators, compressors, welders, etc.
- Designed for use in non-hazardous areas where dust, moisture and corrosion may be a problem
- Designed for flush or surface mounting
- A fusible type switch, when used, also provides short circuit protection

Features:

- Switches are NEMA type HD heavy duty 3-pole, with visible blades; a quick make and break mechanism with reinforced, positive pressure type blade and jaw construction. Fusible types have fuse clips with steel reinforcing springs of positive pressure type. Pressure connectors are used for wire connectors.
- For maximum safety, the spring door receptacle at the bottom of the unit is mechanically interlocked with the switch operating mechanism. The switch *cannot be closed* until the plug is fully inserted and the plug *cannot be withdrawn or inserted* unless the switch is open. With the switch open, *accidental plug withdrawal is prevented* by the interlock mechanism. Withdrawal can only be accomplished by activation of the interlock release lever located on the receptacle.
- Enclosures are compact and rectangular in shape with a gasketed, hinged door
- Enclosure, handle and other exterior parts are corrosion-resistant
- The switch enclosure covers are interlocked with the body and operating mechanism and cannot be opened when the plug is engaged and the switch is closed (“ON”). When the switch is *open*, the switch *cannot* be put in a closed (“ON”) position with the door open.
- Mounting lugs may be rotated 90° or moved to the vertical centerline portion for pole mounting
- Side hinged covers are retained in a closed position by compression spring draw-pull catches, which permit the opening or closing of the cover without tools
- The switch operating handle may be padlocked in the “ON” or “OFF” position, thereby preventing unauthorized operation of the switch and/or opening of the enclosure. Up to three padlocks may be used. In addition, a unique hinge arrangement has been devised to allow the door of the unit to be padlocked. This feature allows operation while preventing unqualified or unauthorized entry.

Certifications and compliances:

- NEMA 3R, 4, 12 (enclosure)
- UL standard: UL98
- cUL standard: C22.2 No. 4

Standard materials:

- Receptacle housings and plug exteriors – copper-free aluminum
- Enclosure and operating handle – copper-free aluminum
- Insulation (plug and receptacle) – fiberglass-reinforced polyester
- Pressure contacts – brass
- Crimp/solder contacts – leaded red brass
- Other exterior parts – stainless steel

Standard finishes:

- Copper-free aluminum – natural
- Leaded red brass – electro-tin-plate
- Brass – natural
- Sheet steel – baked gray enamel
- Fiberglass-reinforced polyester – natural (red)

Electrical ratings:

- 3- and 4-pole; fusible or non-fusible
- 240 VAC, 250 VDC, 600 VAC
- 30, 60, 100 amperes
- 7.5 to 75 horsepower



Options:

- | Description | Suffix |
|---|-------------|
| • Special polarity..... | S4 |
| <i>Receptacle interior rotated 22½° to right (viewed from face)</i> | |
| • Auxiliary switch..... | S483 |
| <i>600 VAC/DC heavy duty pushbutton station rating</i> | |

Arktite WSR interlocked receptacles with enclosed disconnect switches

NEMA 3R, 4, 12
Raintight
Watertight
Corrosion-resistant

3P

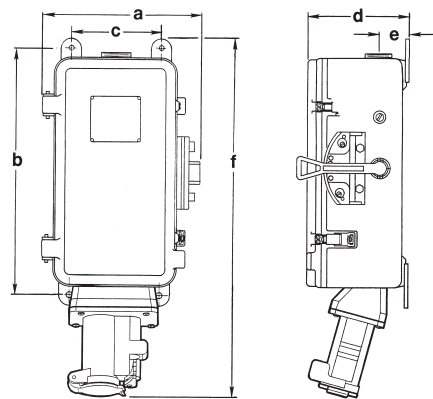
Ordering information:

System	Amperage	Hub size ^A	Cat. # 240 VAC, 600 VAC, 250 VDC	Max. HP rating 240 VAC	Max. HP rating 480 VAC	Max. HP rating 600 VAC
3-wire, 3-pole Style 1, fusible	30	1"	WSR3351 ^B	7½	15	20
	60	1¼"	WSR6351 ^B	15	30	50
	100	1½"	WSR10351 ^B	30	60	75
3-wire, 4-pole Style 2, fusible	30	1"	WSR3352 ^B	7½	15	20
	60	1¼"	WSR6352 ^B	15	30	50
	100	1½"	WSR10352 ^B	30	60	75
3-wire, 3-pole Style 1, non-fusible	30	1"	WSR33541	7½	15	20
	60	1¼"	WSR63541	15	30	50
	100	1½"	WSR103541	30	60	75
3-wire, 4-pole Style 2, non-fusible	30	1"	WSR33542	7½	15	20
	60	1¼"	WSR63542	15	30	50
	100	1½"	WSR103542	30	60	75

APJ/NPJ plugs:

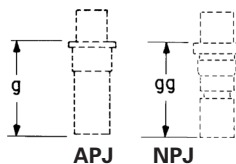
Amperage	Max. voltage	Outside dia. of cable, flexible conduit or armored cable	Cat. # Style 1 ^C 3-wire, 3-pole	Cat. # Style 2 ^C 3-wire, 4-pole
30	250 VDC; 600 VAC	0.60 - 1.20"	APJ3375	APJ3485
		0.55 - 0.70"		NPJ3483
		0.70 - 0.85"		NPJ3484
60	250 VDC; 600 VAC	0.75 - 1.45"	APJ6375	APJ6485
		0.75 - 1.07"		NPJ6484
		1.07 - 1.35"		NPJ6485
100	250 VDC; 600 VAC	1.00 - 1.70"	APJ10377	APJ10487
		0.93 - 1.21"		NPJ10486
		1.21 - 1.50"		NPJ10487

Dimensions (in inches):



Dimension	30A	60A	100A
a	11¾	11¾	14⅞
b	20⅞	20⅞	26⅞
c	6⅞	6⅞	9⅞
d	7¼	7¼	8¼
e	2⅝	2⅝	2⅞
f	27⅞	28⅞	35⅞
g	4¼	5¼	7¼
gg	7	6⅞	7¼
Mtg. holes	⅜	⅜	⅞

Dimensions 'g' and 'gg' are exposed portion of plug when engaged with receptacle.



^AFurnished with reducer which may be removed to obtain one size larger opening. Locknut and bushing used must meet NEC requirements.

^BArranged for NEC Class H fuses. May be field converted to NEC Class J fuses.

^CStyle 1 – grounded through shell. Style 2 – grounded through extra pole and shell. For a detailed description of these grounding methods, see Section 1P.

3P