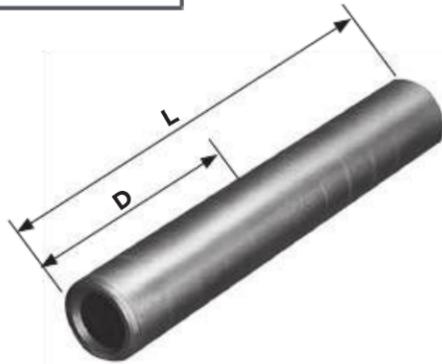




OVERHEAD LINE SPLICES: AL AND AL-CU COMPRESSION VERSA-CRIMP® SPLICE MINIMUM TENSION - RANGE TAKING

ALUMINUM
VCSE



- ANSI C119.4, minimum tension, Class 3 connector (5% of conductor breaking strength)
- For use with VERSA-CRIMP® tools only
- For aluminum to aluminum and aluminum to copper conductor splicing. Not for copper to copper splicing
- Aluminum alloy conductor recommendations include 5005, 6201 (AAAC) and ACAR of the same maximum diameter as a given ACSR conductor shown below. In addition, compressed (compact) conductor sizes within listed AAC range are recommended

Material: Body - Aluminum Alloy
Factory inhibited

Product Data & Conductor Size

| CATALOG NUMBER | VERSA CRIMP SYSTEM CONDUCTOR RANGE | VERSA-CRIMP TOOL TYPE | DIMENSIONS INCHES (MM) | | APPROX. WT. EACH LBS. (KG) |
|----------------|--|--------------------------|------------------------|------------------|----------------------------|
| | | | L | D | |
| VCSE44 | #10(7)-1/0 (19) AAC #8 (6/1)-1/0 (6/1) ACSR #10 Sol.-1/0(19) Cu | VC6 (ALL) | 2 (50.8) | 21/32 (16.7) | .063 (.028) |
| VCSE55 | #8(7)-3/0 (19) AAC #6 (6/1)-2/0 (6/1) ACSR #8 Sol.-3/0 (19) Cu | | 3 (76.2) | 1-7/16 (36.5) | .11 (.05) |
| VCSE66 | #4 (7)-266.8 (19) AAC #4 (6/1)-4/0 (6/1) ACSR #4 Sol.-250 (37) Cu | | 4 (101.6) | 1-7/8 (47.6) | .18 (.08) |
| VCSE77 | 2/0 (7)-350 (37) AAC 2/0 (6/1)-336.4 (18/1) ACSR 2/0 (7)-350 (37) Cu | *VC6500 VC63 VC6FT | 5 (127.0) | 2-3/8 (60.3) | .27 (.12) |
| VCSE88 | 4/0 (7)-500 (37) AAC 4/0 (6/1)-477 (18/1) ACSR 4/0(7)-500(37) Cu | | 5 (127.0) | 2-3/8 (60.3) | .28 (.12) |
| VCSE99 | 500 (19)-750 (61) AAC 477(18/1)-636 (26/7) ACSR 500 (37) Cu | VC6FT VC8 | 6 (152.4) | 2-7/8 (73.0) | .45 (.20) |

*VC6500 for use with aluminum conductor only in range 350-500 MCM.

PLASTIC
SEC

OVERHEAD AND SERVICE ENTRANCE LINE SPLICES COMPRESSION PLASTIC COVER



Snap on cover for minimum tension splice

Material: Black thermoplastic

| CATALOG NUMBER | DESCRIPTION | APPROX. WT. EACH LBS. (KG) |
|----------------|---|----------------------------|
| SEC4 ** | For use on any 5/8" OD splice up to 2" long | .04 (.02) |
| SEC6 ** | For use on any .840 OD splice up to 4" long | .06 (.03) |

**RUS Listed

DB
12