

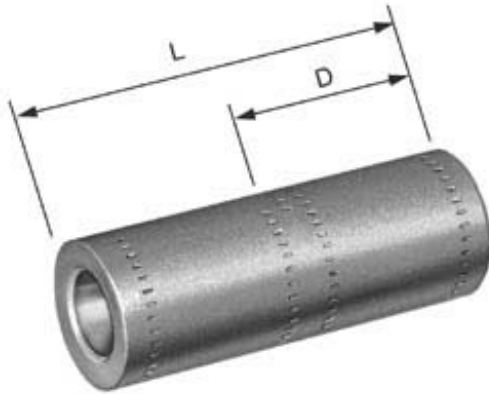


[Catalog Home](#)

Product Datasheet



ANDERSON FARGO

VACS1 -- Minimum Tension Compression Splice



Minimum Tension versatile Compression Splice

Product Specifications

<p>Splice Type</p>	 <p>VERSAtile™ Compression Splices (For use with Die type and VersaCrimp tools)</p>
<p>Versatile Compression Series</p>	 <p>VACS Series Compression Splice VERSAtile™ Minimum Tension Aluminum or Copper Conductor</p>
<p>PDF Catalog Page</p>	<p>Click HERE to view the web page.</p>
<p>Conventional Tooling Conductor Size Minimum</p>	<p>0.328 in</p>
<p>Conventional Tooling Conductor Size Maximum</p>	<p>0.332 in</p>
<p>VersaCrimp Conductor Size Minimum</p>	<p>0.232 in</p>
<p>VersaCrimp Conductor Size Maximum</p>	<p>0.332 in</p>
<p>Material</p>	<p>Tin Plated Aluminum</p>
<p>Conventional Tooling Minimum Conductor</p>	<p>.328 in</p>
<p>Conventional Tooling Maximum Conductor</p>	<p>.332 in</p>
<p>Conventional Tooling Conductor Size</p>	<p>#1 Str. Al/Cu</p>
<p>VersaCrimp Conductor Range</p>	<p>#4-#1 Str. Al/Cu</p>

VersaCrimp Conductor Minimum	.232 in
VersaCrimp Conductor Maximum	.332 in
Dimension D	1.12 in (29 mm)
Dimension L	2.38 in (60 mm)
Length before Compression	2.38 in (60 mm)
Compression Method	VersaCrimp or Conventional Die Tooling
UL Listed	Y
Cover Available	SEC6
Inhibitor Loaded	Yes
Color Code	Tan
Material Type	Non-Standard
UPC Code	09635933432
Standard Package	25
Standard Package Unit	Each
Min Order Qty	25
Weight / Ea.	0.049 lbs

Notes

For use with either VersaCrimp or conventional tooling.

Features

For AL to AL, AL to CU or CU to CU connections

Compressed Product Number

VACS1

[Catalog Home](#)



[Warranty Info](#) | [Trademarks](#) | [Terms of Use](#)

All contents Copyright © 2007 Hubbell Power Systems, Inc. All rights reserved.

NOTE: Because Hubbell has a policy of continuous product improvement, we reserve the right to change design and specifications without notice.