

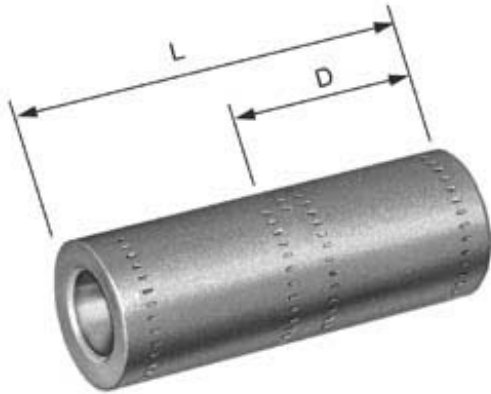


[Catalog Home](#)

Product Datasheet

ANDERSON FARGO

VACS10 -- Minimum Tension Compression Splice



Minimum Tension versatile Compression Splice

Product Specifications

Splice Type



VERSAtile™
Compression Splices
(For use with Die type
and VersaCrimp tools)

Versatile Compression Series



VACS Series
Compression Splice
VERSAtile™
Minimum Tension
Aluminum or Copper
Conductor

PDF Catalog Page

[Click HERE to view the web page.](#)

Conventional Tooling Conductor Size Minimum

0.368 in

Conventional Tooling Conductor Size Maximum

0.373 in

VersaCrimp Conductor Size Minimum

0.146 in

VersaCrimp Conductor Size Maximum

0.373 in

Material

Tin Plated Aluminum

Conventional Tooling Minimum Conductor

.368 in

Conventional Tooling Maximum Conductor

.373 in

Conventional Tooling Conductor Size

3/0 Str. Al/Cu

VersaCrimp Conductor Range

#8-3/0 Str. Al/Cu

VersaCrimp Conductor Minimum	.146 in
VersaCrimp Conductor Maximum	.373 in
Dimension D	1.31 in (33 mm)
Dimension L	2.69 in (68 mm)
Length before Compression	2.69 in (68 mm)
Compression Method	VersaCrimp or Conventional Die Tooling
UL Listed	Y
Cover Available	SEC6
Inhibitor Loaded	Yes
Color Code	Tan
Material Type	Non-Standard
UPC Code	09635933438
Standard Package	15
Standard Package Unit	Each
Min Order Qty	15
Weight / Ea.	0.098 lbs

Notes

For use with either VersaCrimp or conventional tooling.

Features

For AL to AL, AL to CU or CU to CU connections

Compressed Product Number

VACS10

[Catalog Home](#)



[Warranty Info](#) | [Trademarks](#) | [Terms of Use](#)

All contents Copyright © 2007 Hubbell Power Systems, Inc. All rights reserved.

NOTE: Because Hubbell has a policy of continuous product improvement, we reserve the right to change design and specifications without notice.