

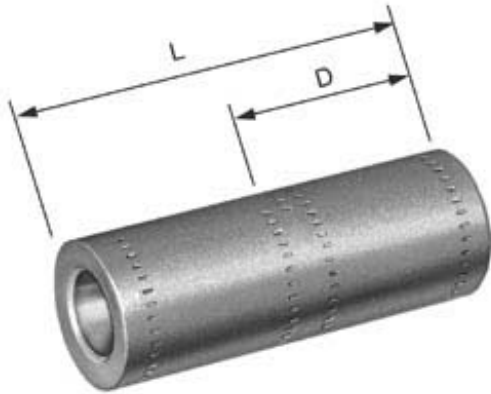


[Catalog Home](#)

**Product Datasheet**

**ANDERSON FARGO**

**VACS20 -- Minimum Tension Compression Splice**



Minimum Tension versatile Compression Splice

**Product Specifications**

**Splice Type**



**VERSAtile™**  
**Compression Splices**  
(For use with Die type  
and VersaCrimp tools)

**Versatile Compression Series**



**VACS Series**  
**Compression Splice**  
**VERSAtile™**  
**Minimum Tension**  
**Aluminum or Copper**  
**Conductor**

**PDF Catalog Page**

[Click HERE to view the web page.](#)

**Conventional Tooling Conductor Size Minimum**

0.414 in

**Conventional Tooling Conductor Size Maximum**

0.419 in

**VersaCrimp Conductor Size Minimum**

0.232 in

**VersaCrimp Conductor Size Maximum**

0.419 in

**Material**

Tin Plated Aluminum

**Conventional Tooling Minimum Conductor**

.414 in

**Conventional Tooling Maximum Conductor**

.419 in

**Conventional Tooling Conductor Size**

2/0 Str. Al/Cu

**VersaCrimp Conductor Range**

#4-2/0 Str. Al/Cu

<b>VersaCrimp Conductor Minimum</b>	.232 in
<b>VersaCrimp Conductor Maximum</b>	.419 in
<b>Dimension D</b>	1.31 in (33 mm)
<b>Dimension L</b>	2.69 in (68 mm)
<b>Length before Compression</b>	2.69 in (68 mm)
<b>Compression Method</b>	VersaCrimp or Conventional Die Tooling
<b>UL Listed</b>	Y
<b>Cover Available</b>	SEC6
<b>Inhibitor Loaded</b>	Yes
<b>Color Code</b>	Olive
<b>Material Type</b>	Non-Standard
<b>UPC Code</b>	09635933436
<b>Standard Package</b>	15
<b>Standard Package Unit</b>	Each
<b>Min Order Qty</b>	15
<b>Weight / Ea.</b>	0.098 lbs

### Notes

For use with either VersaCrimp or conventional tooling.

### Features

For AL to AL, AL to CU or CU to CU connections

### Compressed Product Number

VACS20

[Catalog Home](#)



[Warranty Info](#) | [Trademarks](#) | [Terms of Use](#)

*All contents Copyright © 2007 Hubbell Power Systems, Inc. All rights reserved.*

NOTE: Because Hubbell has a policy of continuous product improvement, we reserve the right to change design and specifications without notice.