



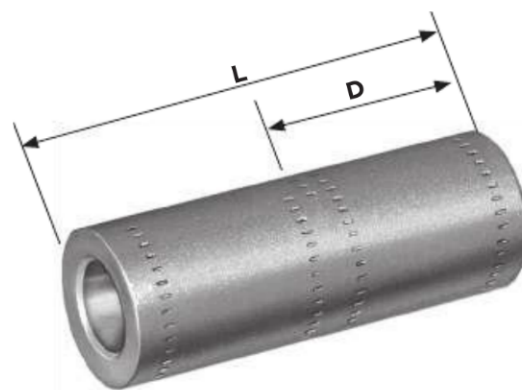
OVERHEAD LINE SPLICES: AL AND AL-CU COMPRESSION VERSATILE™ SPLICE MINIMUM TENSION

ALUMINUM
VACS

- ANSI C119.4, minimum tension, Class 3 connector (5% of conductor breaking strength)
- For use with either VERSA-CRIMP® or conventional compression tools
- For aluminum to aluminum, aluminum to copper and copper to copper (except as noted) conductor splicing
- Color coded end plugs for easy die selection

Material: Body - Aluminum Alloy-Tin Plated
Factory Inhibited

AL9CU (90°C Rated)



DB
11



Product Data & Conductor Size

CATALOG NUMBER	ALUMINUM OR COPPER CONDUCTOR		VERSA-CRIMP TOOL TYPE	DIMENSIONS INCHES (MM)		APPROX. WT. EACH LBS. (KG)	I.D. INCHES (MM)	
	CONVENTIONAL Δ RANGE	VERSA-CRIMP SYSTEM RANGE		L	D			
VACS8	#8 Str. Al/Cu	#8 Str. Al/Cu	VC6350	1-7/8 (47.6)	7/8 (22.2)	.007 (.003)	.166 (4.2)	
VACS6	#6 Str. Al/Cu	#6 Str. Al/Cu		1-7/8 (47.6)	7/8 (22.2)	.012 (.005)	.206 (5.2)	
VACS4	#4 Str. Al/Cu	#4 Str. Al/Cu		2-1/8 (54.0)	1 (25.4)	.021 (.009)	.252 (6.4)	
VACS2	#2 Str. Al/Cu	#6-#2 Str. Al/Cu	VC6 (ALL)	2-3/8 (60.3)	1-1/8 (28.6)	.03 (.013)	.312 (7.3)	
VACS1	#1 Str. Al/Cu	#4-#1 Str. Al/Cu		2-3/8 (60.3)	1-1/8 (28.6)	.04 (.02)	.350 (8.9)	
VACS10	1/0 Str. Al/Cu	#8-1/0 Str. Al/Cu		2-11/16 (68.3)	1-5/16 (33.3)	.05 (.02)	.393 (10)	
VACS20	2/0 Str. Al/Cu	#4-2/0 Str. Al/Cu		2-11/16 (68.3)	1-5/16 (33.3)	.06 (.03)	.450 (11.4)	
VACS30	3/0 Str. Al/Cu	#4-3/0 Str. Al/Cu		2-11/16 (68.3)	1-5/16 (33.3)	.08 (.04)	.502 (12.7)	
VACS40	4/0 Str. Al/Cu	#2-4/0 Str. Al/Cu		3-3/8 (85.7)	1-5/8 (41.3)	.11 (.05)	.562 (14.3)	
VACS250	250 MCM Al/Cu	1/0-250 MCM Al/Cu		3-3/8 (85.7)	1-5/8 (41.3)	.15 (.07)	.605 (13.4)	
VACS300	300 MCM Al/Cu	1/0-300 MCM Al/Cu		3-3/8 (85.7)	1-5/8 (41.3)	.19 (.08)	.660 (16.8)	
VACS350	350 MCM Al/Cu	2/0-350 MCM Al/Cu		VC63 VC6FT	5 (127.0)	2-7/16 (62.0)	.22 (.10)	.711 (18.1)
VACS400	400 MCM Al/Cu	3/0-400 MCM Al/Cu			5 (127.0)	2-7/16 (62.0)	.27 (.12)	.758 (19.2)
VACS500	500 MCM Al/Cu	4/0-500 MCM Al/Cu	VC6FT VC8	5 (127.0)	2-7/16 (62.0)	.36 (.16)	.843 (21.4)	
VACS600*	600 MCM Al	350-600 MCM Al 350-500 MCM Cu		6 (152.4)	2-15/16 (74.6)	.47 (.21)	.923 (23.4)	
VACS750*	750 MCM Al	500-750 MCM Al	6 (152.4)	2-15/16 (74.6)	.65 (.40)	1.028 (26.1)		
VACS1000*	1000 MCM Al	750-1000 MCM Al	VC8	6-3/8 (161.9)	3-1/8 (79.4)	.97 (.44)	1.182 (30)	

Δ Refer to pages DB-23 & DB-24 for recommended tool and die information.

* Not for copper to copper.

HIGH VOLTAGE APPLICATIONS—All Aluminum/Copper and Copper Lugs (VCEL, VACL, VHCL, VHCS and VCEL) are rated at 34.5kV. The other U.L. listed compression connectors (VACS, VACT, VCCT, VHSS and VHS) have a maximum UL voltage requirement of less than 2000 volts, however Anderson recommends these connectors for application through 34.5 KV subject to the manufacturers' limitations and recommendations for the insulation material. For further information, contact factory.