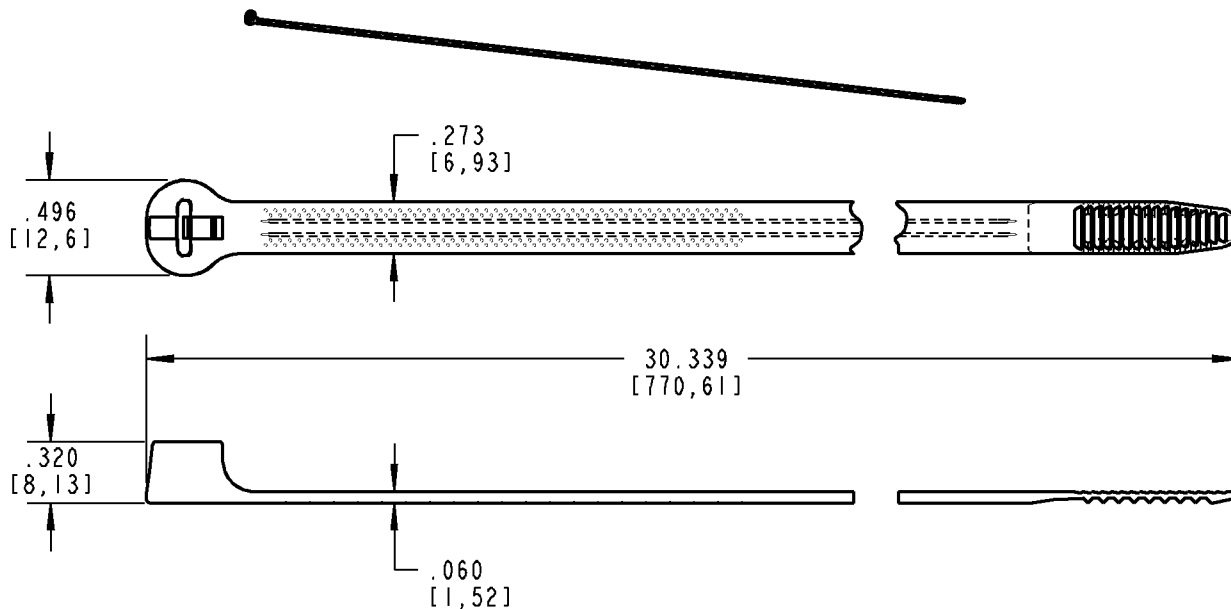




Ty-Rap



NOTES:

1. MATERIAL CONFORMS TO ASTM D4066 PA11
2. MAXIMUM BUNDLE DIAMETER: 9.000 [228.6]
3. TENSILE RATING: 120 LBS [534 N]
4. OPERATING TEMPERATURE RANGE: -40°F [-40°C] TO 185°F [85°C]
5. INSTALLATION TOOL/SETTING: WT197/5-8 (MS90387-2)

CATALOG NUMBER	MATERIAL	COLOR	MILITARY STANDARD TYPE 1 CLASS 1
TY29M*	NYLON 6,6	NATURAL	MS3367-6-*
TY29MX	WEATHER RESISTANT NYLON	BLACK	MS3367-6-0

STANDARD PACKAGE QUANTITY IS 50,
ADDITIONAL PACK QUANTITIES AVAILABLE UPON REQUEST

* COLORS AVAILABLE (ADD SUFFIX TO END OF CAT. NO.)	
-0 = BLACK	-5 = GREEN
-1 = BROWN	-6 = BLUE
-2 = RED	-7 = PURPLE
-3 = ORANGE	-8 = GRAY
-4 = YELLOW	-9 = WHITE

GENERAL NOTES		Thomas & Betts <small>www.tnb.com</small>			
1. ALL DIMENSIONS ARE FOR REFERENCE ONLY. 2. DIMENSIONS IN BRACKETS [] ARE IN METRIC UNITS.		DESCRIPTION: SELF-LOCKING CABLE TIE (TY29M SERIES)			
REVISIONS		ORIGINAL PROJECT NO / (ERN NO)	SHEET NO:	REV. NO:	DRAWING NO:
** SEE ERN (****) FOR APPROVAL SIGNATURES & RELEASE DATE. PROJECT NO: ****		FM401183 / (2006909)	1 OF 1	-	WSD-000280