



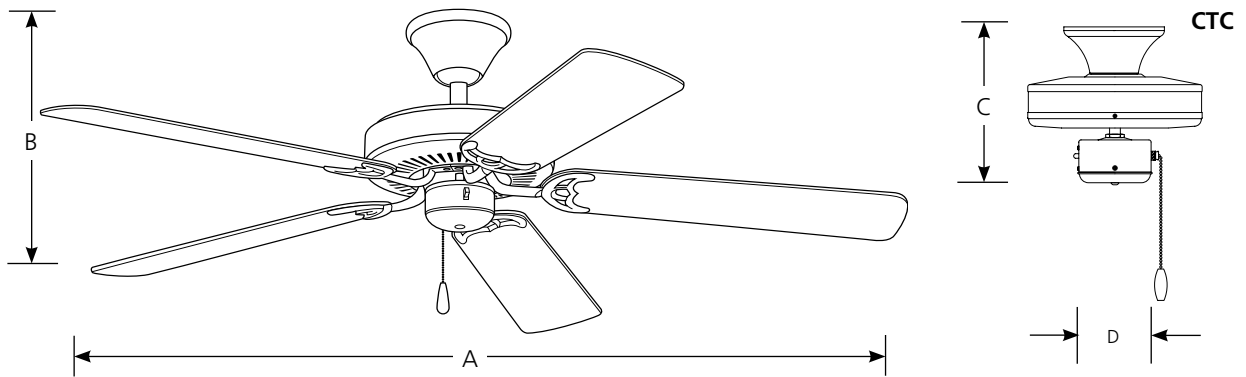
Indoor

52" Builder
AirPro
Energy Star

Ceiling Fans

Type	Finish			
	-09	-20	-30	-30W
P2501	<input type="checkbox"/>	<input type="checkbox"/>	<input type="checkbox"/>	<input type="checkbox"/>

Catalog No.	Finish				Dimensions (Inches)			
	Brushed Nickel	Antique Bronze	White	White	A	B	C	D
P2501	-09	-20	-30	-30W	52	12	9-3/4	4
Blades								
Side 1	Cherry blades	Medium Cherry blades	White blades	White blades				
Side 2	Natural Cherry blades	Classic Walnut blades	Washed Oak blades	White blades				



Specifications:

General

- Energy Star Certified
- 30 year limited warranty

Blades

- Five blades
- Reversible
- 12 degree pitch
- SureConnect® blade arms
- Screws preinstalled in blades for attachment to motor arms
 - Special guides align blades to motor arms
 - Preinstalled rubber isolation pads minimize vibration noise
 - MDF blade material

Motor

- Triple capacitor speed control; manual reverse control
- 153mm dia x 14.5mm high
- Pull chain on Brushed Nickell (-09) is chrome with a maple fob, Antique Bronze (-20) is antique brass with a solid wood oak fob, White (-30 & -30W) is chrome with a white fob.

Mounting

- Ceiling downrod or close-to-ceiling mount
- Quick Install canopy
 - Installs without removing J-box screws
 - Holds fan for wiring during installation
 - Dual-mount for downrod or close to ceiling mounting
- A 3/4" x 4-1/4" downrod is included. Longer accessory downrods can be ordered separately
- Standard canopy designed for sloped ceilings up to 45 degrees (12:12 ceiling pitch) using downrod supplied or accessory downrods
- Oversized, textured die cast hanger ball reduces noise and wobble vibrations
- Canopy covers standard recessed 4" octagonal outlet box. Note: An outlet box assembly designed for fan installation is required (not included)
- Mounting hardware is included

Electrical

- 80" feet of wire supplied
- Pre-wired

Labeling

- UL Dry listed



Progress Lighting
701 Millennium Blvd.
Greenville, South Carolina
29607

www.progresslighting.com

Rev. 01/13