



# POINT I/O RTD and Isolated Thermocouple Input Modules

Catalog numbers 1734-IR2, 1734-IR2E, 1734-IT2I, Series C

## Table of Contents

Topic	Page
Important User Information	2
Environment and Enclosure	3
Preventing Electrostatic Discharge	3
North American Hazardous Location Approval	4
European Hazardous Location Approval	5
About the Module	6
Install the Mounting Base	8
Install the Module	9
Install the Removable Terminal Block	10
Wire the Module	12
Communicate with the Module	15
Interpret Status Indicators	16
Specifications	18

### Important User Information

Solid-state equipment has operational characteristics differing from those of electromechanical equipment. Safety Guidelines for the Application, Installation, and Maintenance of Solid-State Controls (Publication [SGI-1.1](#) available from your local Rockwell Automation Sales Office or online at <http://www.rockwellautomation.com/literature/>) describes some important differences between solid-state equipment and hard-wired electromechanical devices. Because of this difference, and also because of the wide variety of uses for solid-state equipment, all persons responsible for applying this equipment must satisfy themselves that each intended application of this equipment is acceptable.





In no event will Rockwell Automation, Inc. be responsible or liable for indirect or consequential damages resulting from the use or application of this equipment.

The examples and diagrams in this manual are included solely for illustrative purposes. Because of the many variables and requirements associated with any particular installation, Rockwell Automation, Inc. cannot assume responsibility or liability for actual use based on the examples and diagrams.

No patent liability is assumed by Rockwell Automation, Inc. with respect to use of information, circuits, equipment, or software described in this manual.

Reproduction of the contents of this manual, in whole or in part, without written permission of Rockwell Automation, Inc., is prohibited.

Throughout this manual, when necessary, we use notes to make you aware of safety considerations.

	<b>WARNING:</b> Identifies information about practices or circumstances that can cause an explosion in a hazardous environment, which may lead to personal injury or death, property damage, or economic loss.
	<b>ATTENTION:</b> Identifies information about practices or circumstances that can lead to personal injury or death, property damage, or economic loss. Attentions help you identify a hazard, avoid a hazard, and recognize the consequences.
	<b>SHOCK HAZARD:</b> Labels may be on or inside the equipment (for example, drive or motor) to alert people that dangerous voltage may be present.
	<b>BURN HAZARD:</b> Labels may be on or inside the equipment (for example, drive or motor) to alert people that surfaces may reach dangerous temperatures.
<b>IMPORTANT</b>	Identifies information that is critical for successful application and understanding of the product.

---

## Environment and Enclosure

---



**ATTENTION:** This equipment is intended for use in a Pollution Degree 2 industrial environment, in overvoltage Category II applications (as defined in IEC publication 60664-1), and at altitudes of up to 2000 m (6562 ft) without derating. This equipment is considered Group 1, Class A industrial equipment according to IEC/CISPR 11. Without appropriate precautions, there may be difficulties with electromagnetic compatibility in residential and other environments due to conducted and radiated disturbances.

This equipment is supplied as open-type equipment. It must be mounted within an enclosure that is suitably designed for those specific environmental conditions that will be present and appropriately designed to prevent personal injury resulting from accessibility to live parts. The enclosure must have suitable flame-retardant properties to prevent or minimize the spread of flame, complying with a flame spread rating of 5VA, V2, V1, V0 (or equivalent) if non-metallic. The interior of the enclosure must be accessible only by the use of a tool. Subsequent sections of this publication may contain additional information regarding specific enclosure type ratings that are required to comply with certain product safety certifications.

In addition to this publication, see:

- Industrial Automation Wiring and Grounding Guidelines, Rockwell Automation publication [1770-4.1](#), for additional installation requirements.
- NEMA Standard 250 and IEC 60529, as applicable, for explanations of the degrees of protection provided by different types of enclosure.

---

## Preventing Electrostatic Discharge

---



**ATTENTION:** This equipment is sensitive to electrostatic discharge which can cause internal damage and affect normal operation. Follow these guidelines when you handle this equipment.

- Touch a grounded object to discharge potential static.
  - Wear an approved grounding wrist strap.
  - Do not touch connectors or pins on component boards.
  - Do not touch circuit components inside the equipment.
  - Use a static-safe workstation if available.
  - Store the equipment in appropriate static-safe packaging when not in use.
-

## 4 POINT I/O RTD and Isolated Thermocouple Input Modules





**ATTENTION:** This product is grounded through the DIN rail to chassis ground. Use zinc-plated yellow-chromate steel DIN rail to assure proper grounding. The use of other DIN rail materials (for example, aluminum, plastic) that can corrode, oxidize, or are poor conductors can result in improper or intermittent grounding. Secure DIN rail to mounting surface approximately every 200 mm (7.8 in.) and use end-anchors appropriately.



**ATTENTION:** To comply with the CE Low Voltage Directive (LVD), this equipment must be powered from a source compliant with the Safety Extra Low Voltage (SELV) or Protected Extra Low Voltage (PELV).

## North American Hazardous Location Approval

<b>The following information applies when operating this equipment in hazardous locations:</b>	<b>Informations sur l'utilisation de cet équipement en environnements dangereux:</b>
<p>Products marked "CL I, DIV 2, GP A, B, C, D" are suitable for use in Class I Division 2 Groups A, B, C, D, Hazardous Locations and nonhazardous locations only. Each product is supplied with markings on the rating nameplate indicating the hazardous location temperature code. When combining products within a system, the most adverse temperature code (lowest "T" number) may be used to help determine the overall temperature code of the system. Combinations of equipment in your system are subject to investigation by the local Authority Having Jurisdiction at the time of installation.</p>	<p>Les produits marqués "CL I, DIV 2, GP A, B, C, D" ne conviennent qu'à une utilisation en environnements de Classe I Division 2 Groupes A, B, C, D dangereux et non dangereux. Chaque produit est livré avec des marquages sur sa plaque d'identification qui indiquent le code de température pour les environnements dangereux. Lorsque plusieurs produits sont combinés dans un système, le code de température le plus défavorable (code de température le plus faible) peut être utilisé pour déterminer le code de température global du système. Les combinaisons d'équipements dans le système sont sujettes à inspection par les autorités locales qualifiées au moment de l'installation.</p>
 <p><b>EXPLOSION HAZARD</b></p> <ul style="list-style-type: none"><li>• Do not disconnect equipment unless power has been removed or the area is known to be nonhazardous.</li><li>• Do not disconnect connections to this equipment unless power has been removed or the area is known to be nonhazardous. Secure any external connections that mate to this equipment by using screws, sliding latches, threaded connectors, or other means provided with this product.</li><li>• Substitution of components may impair suitability for Class I, Division 2.</li><li>• If this product contains batteries, they must only be changed in an area known to be nonhazardous.</li></ul>	 <p><b>RISQUE D'EXPLOSION</b></p> <ul style="list-style-type: none"><li>• Couper le courant ou s'assurer que l'environnement est classé non dangereux avant de débrancher l'équipement.</li><li>• Couper le courant ou s'assurer que l'environnement est classé non dangereux avant de débrancher les connecteurs. Fixer tous les connecteurs externes reliés à cet équipement à l'aide de vis, loquets coulissants, connecteurs filetés ou autres moyens fournis avec ce produit.</li><li>• La substitution de composants peut rendre cet équipement inadéquat à une utilisation en environnement de Classe I, Division 2.</li><li>• S'assurer que l'environnement est classé non dangereux avant de changer les piles.</li></ul>

---

## European Hazardous Location Approval

---

### The following applies when the product bears the Ex Marking

This equipment is intended for use in potentially explosive atmospheres as defined by European Union Directive 94/9/EC.

DEMKO certifies that this equipment has been found to comply with the Essential Health and Safety Requirements relating to the design and construction of Category 3 equipment intended for use in Zone 2 potentially explosive atmospheres, given in Annex II to this Directive.

Compliance with the Essential Health and Safety Requirements has been assured by compliance with EN 60079-0:2012+A11:2013, EN 60079-15:2010, reference certificate number DEMKO 04ATEX0330347X.

---



**ATTENTION:** This equipment is not resistant to sunlight or other sources of UV radiation.

---



**WARNING:** This equipment shall be mounted in an ATEX certified enclosure with a minimum ingress protection rating of at least IP54 (as defined in IEC60529) and used in an environment of not more than Pollution Degree 2 (as defined in IEC 60664-1) when applied in Zone 2 environments. The enclosure must utilize a tool removable cover or door.

**WARNING:** This equipment shall be used within its specified ratings defined by Rockwell Automation.

**WARNING:** Provision shall be made to prevent the rated voltage from being exceeded by transient disturbances of more than 140% of the rated voltage when applied in Zone 2 environments.

**WARNING:** This equipment must be used only with ATEX certified Rockwell Automation backplanes.

**WARNING:** Secure any external connections that mate to this equipment by using screws, sliding latches, threaded connectors, or other means provided with this product.

**WARNING:** Do not disconnect equipment unless power has been removed or the area is known to be nonhazardous.

---

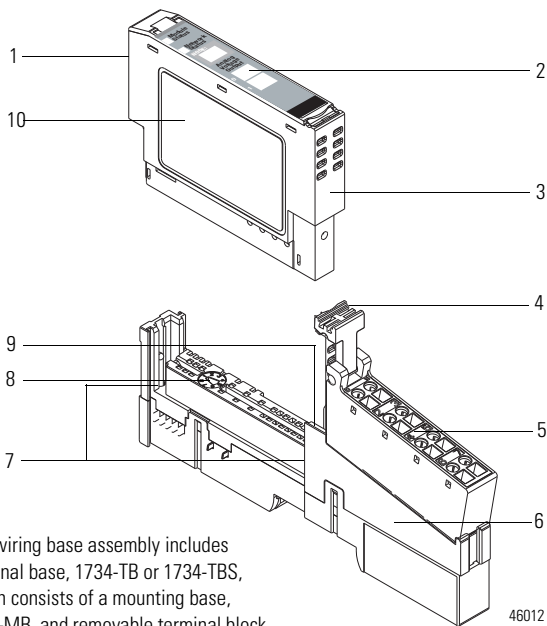
### About the Module

You can use these Series C modules with the following:

- 1734-ACNR ControlNet adapters with RSLogix 5000 software, version 11 or later
- 1734-ADN, 1734-ADNX, 1734-PDN DeviceNet adapters or with any 1734D POINTBlock I/O module
- 1734-AENT or 1734-AENTR EtherNet/IP adapters with RSLogix 5000 software, version 11 or later
- 1734-APB PROFIBUS adapters

Use this diagram to identify the external features of the module.

#### POINT I/O™ Input Module with 1734-TB or 1734-TBS Base

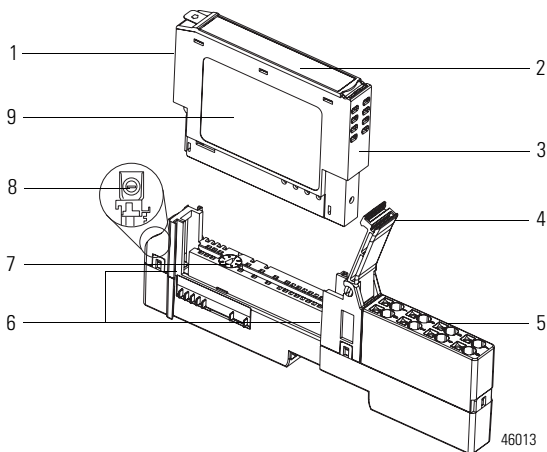


The wiring base assembly includes terminal base, 1734-TB or 1734-TBS, which consists of a mounting base, 1734-MB, and removable terminal block, 1734-RTB or 1734-RTBS.

46012

	Description		Description
1	Module locking mechanism	6	1734-TB or 1734-TBS mounting base
2	Slide-in writable label	7	Interlocking side pieces
3	Insertable I/O module	8	Mechanical keying (orange)
4	Removable terminal block (RTB) handle	9	DIN rail locking screw (orange)
5	Removable terminal block with screw (1734-RTB) or spring clamp (1734-RTBS)	10	Module wiring diagram

### POINT I/O Input Module with 1734-TOP or 1734-TOPS Base

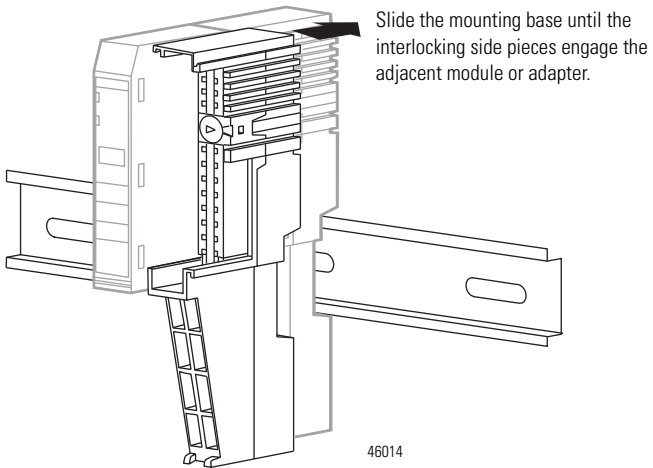


	Description		Description
1	Module locking mechanism	6	Interlocking side pieces
2	Slide-in writable label	7	Mechanical keying (orange)
3	Insertable I/O module	8	DIN rail locking screw (orange)
4	Removable terminal block (RTB) handle	9	Module wiring diagram
5	One-piece terminal base with screw (1734-TOP) or spring clamp (1734-TOPS)		

## Install the Mounting Base

To install the mounting base on the DIN rail, proceed as follows:

1. Position the mounting base vertically above the installed units (adapter, power supply, or existing module).



2. Slide the mounting base down allowing the interlocking side pieces to engage the adjacent module or adapter.
3. Press firmly to seat the mounting base on the DIN rail. The mounting base snaps into place. Be sure that the orange DIN rail locking screw is in the horizontal position and that it has engaged the DIN rail.



**ATTENTION:** Do not discard the end cap. Use this end cap to cover the exposed interconnections on the last mounting base on the DIN rail. Failure to do so could result in equipment damage or injury from electric shock.

---





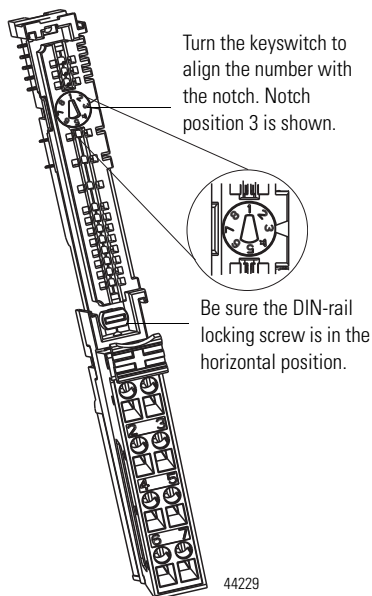
**ATTENTION:** When you insert or remove the module while backplane power is on, an electrical arc can occur. This could cause an explosion in hazardous location installations.

Be sure that power is removed or the area is nonhazardous before proceeding. Repeated electrical arcing causes excessive wear to contacts on both the module and its mating connector. Worn contacts may create electrical resistance that can affect module operation.

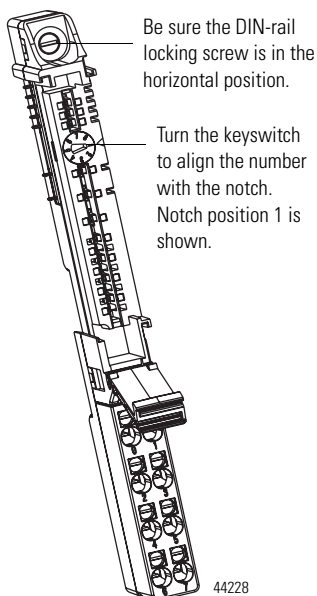
## Install the Module

The module can be installed before or after base installation. Make sure that the mounting base is correctly keyed before installing the module into the mounting base. In addition, make sure that the mounting base locking screw is positioned horizontal referenced to the base.

**1734-TB Base**



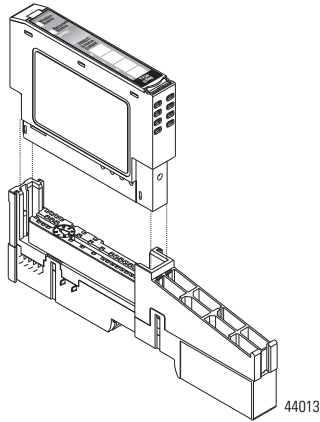
**1734-TOP Base**



## 10 POINT I/O RTD and Isolated Thermocouple Input Modules

---

1. Using a bladed screwdriver, rotate the keyswitch on the mounting base clockwise until the number required for the type of module being installed aligns with the notch in the base.
2. Verify the DIN rail locking screw is in the horizontal position. You cannot insert the module if the locking mechanism is unlocked.
3. Insert the module straight down into the mounting base.
4. Press to secure. The module locks into place.

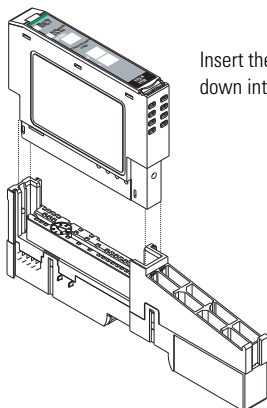


### Install the Removable Terminal Block

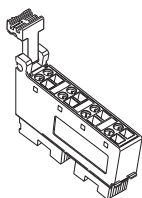
A removable terminal block (RTB) is supplied with your wiring base assembly. To remove, pull up on the RTB handle. This allows the mounting base to be removed and replaced as necessary without removing any of the wirings. To reinsert the removable terminal block, proceed as follows:

1. Insert the end opposite the handle into the base unit. This end has a curved section that engages with the wiring base.
2. Rotate the terminal block into the wiring base until it locks itself in place.

3. If an I/O module is installed, snap the RTB handle into place on the module.



Insert the module straight down into the mounting base.



Hook the RTB end into the mounting base end and rotate until it locks into place.

44012



**WARNING:** When you connect or disconnect the removable terminal block (RTB) with field-side power applied, an electrical arc can occur. This can cause an explosion in hazardous location installations.

Be sure that power is removed or the area is nonhazardous before proceeding.

## Remove a Mounting Base

To remove a mounting base, you must remove any installed module and the module that is installed in the base to the right. Remove the removable terminal block, if wired.

1. Unlatch the RTB handle on the I/O module.
2. Pull on the RTB handle to remove the removable terminal block.
3. Press the module lock on the top of the module.
4. Pull on the I/O module to remove from the base.
5. Repeat steps 1, 2, 3 and 4 for the module to the right.
6. Use a small bladed screwdriver to rotate the orange base locking screw to a vertical position. This releases the locking mechanism.
7. Lift straight up to remove.

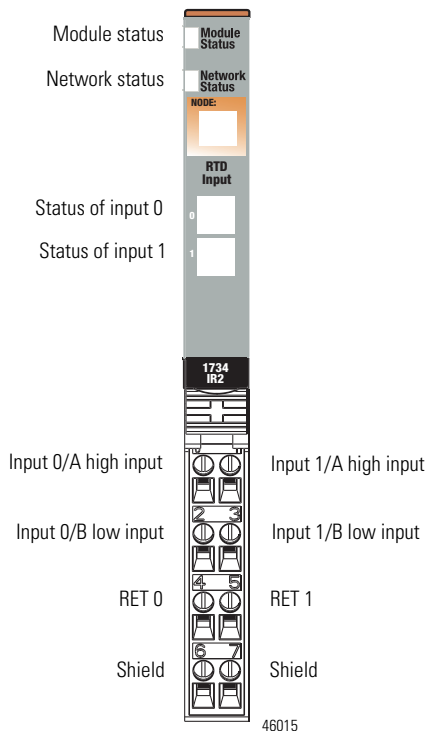
### Wire the Module

To wire the module, refer to the diagrams and tables.

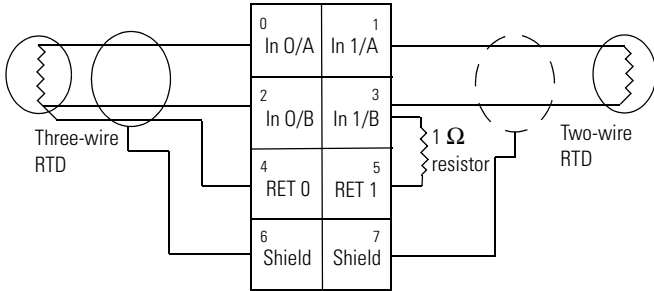


**WARNING:** If you connect or disconnect wiring while the field-side power is on, an electrical arc can occur. This could cause an explosion in hazardous location installations. Be sure that power is removed or the area is nonhazardous before proceeding.

#### POINT I/O RTD Input Module – 1734-IR2, 1734-IR2E



**POINT I/O RTD Input Module Wiring – 1734-IR2, 1734-IR2E**



In = Input channel,  
RET = Sensor return,  
Shield = Sensor cable shield.

When using two-wire RTDs,  
1 Ω resistor In/B to RET.

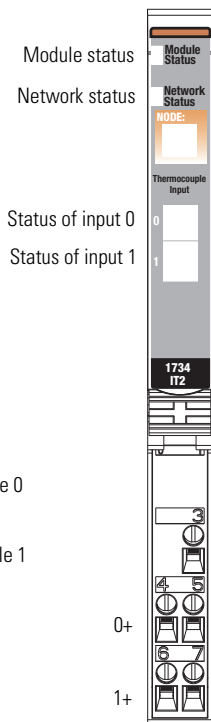
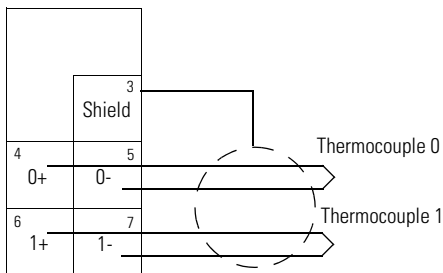
**POINT I/O RTD Input Module – 1734-IR2, 1734-IR2E**

Channel	High Signal (+)	Low Signal (-)	Return	Shield
In 0/A	0		4	6
In 0/B		2		
In 1/A	1		5	7
In 1/B		3		

**TIP** For improved 1734-RTB calibration wiring diagrams, refer to the POINT I/O RTD and Isolated Thermocouple Input Modules Release Notes, publication, [1734-RN005](#).

**1734-IT2I Isolated Thermocouple Input Module Wiring – 1734-IT2I**

0+ = Input channel 0 high  
 0- = Input channel 0 low  
 1+ = Input channel 1 high  
 1- = Input channel 1 low



46016

**Isolated Thermocouple Input Module – 1734-IT2I**

Channel	Input High	Input Low	Shield
0+	4		3
0-		5	
1+	6		3
1-		7	

Power is provided by the internal power bus.

## Communicate with the Module

POINT I/O modules send (produce) and receive (consume) I/O data (messages). You map this data into the processor's memory.

The 1734-IR2 and 1734-IR2E modules produce 6 bytes of input data (scanner Rx) and fault status data. The 1734-IT2I module produces 8 bytes of input data (scanner Rx) and fault status data. The modules do not consume I/O data (scanner Tx).

### Default Data Map for RTD Input Module – 1734-IR2, 1734-IR2E

#### Message size: 6 Bytes

Produces (scanner Rx)	Input channel 0 – high byte								Input channel 0 – low byte							
	Input channel 1 – high byte								Input channel 1 – low byte							
	Status byte for channel 1								Status byte for channel 0							
	OR	UR	HHA	LLA	HA	LA	CM	CF	OR	UR	HHA	LLA	HA	LA	CM	CF
Consumes (scanner Tx)	No consumed data															

Where:  
 OR = Overrange; 0 = No error, 1 = Fault  
 UR = Underrange; 0 = No error, 1 = Fault  
 HHA = High/High Alarm; 0 = No error, 1 = Fault  
 LLA = Low/Low Alarm; 0 = No error, 1 = Fault  
 HA = High Alarm; 0 = No error, 1 = Fault  
 LA = Low Alarm; 0 = No error, 1 = Fault  
 CM = Calibration Mode; 0 = Normal, 1 = Calibration mode  
 CF = Channel Fault Status; 0 = No error, 1 = Fault

### Default Data Map for Isolated Thermocouple Input Module – 1734-IT2I

#### Message size: 8 Bytes

Produces (scanner Rx)	Input channel 0 – high byte								Input channel 0 – low byte							
	Input channel 1 – high byte								Input channel 1 – low byte							
	Status byte for channel 1								Status byte for channel 0							
	OR	UR	HHA	LLA	HA	LA	CM	CF	OR	UR	HHA	LLA	HA	LA	CM	CF
	OR	UR	Cold Junction Temperature (Selectable: channel 0, channel 1, or average of both channels 0 and 1)													

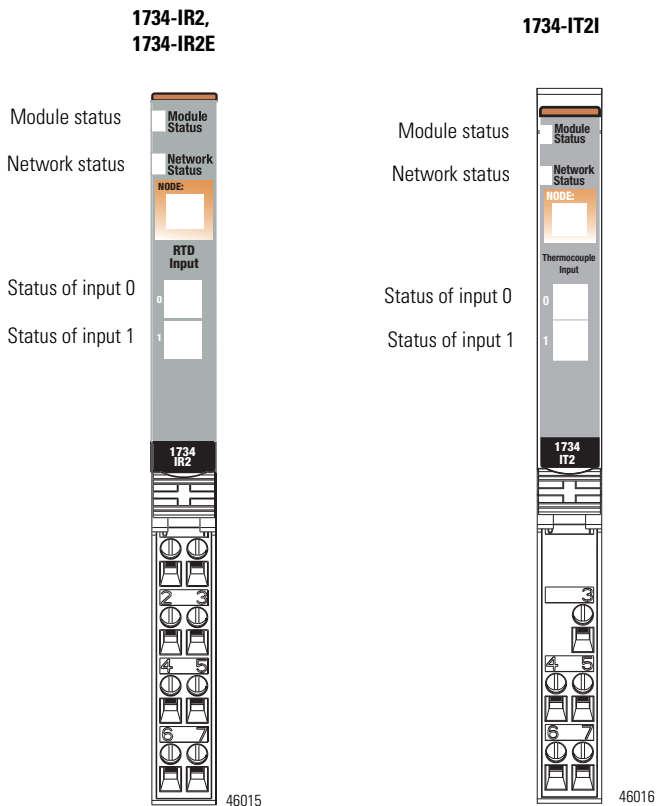
Consumes (scanner Tx) No consumed data

Where:  
 OR = Overrange; 0 = No error, 1 = Fault  
 UR = Underrange; 0 = No error, 1 = Fault  
 HHA = High/High Alarm; 0 = No error, 1 = Fault  
 LLA = Low/Low Alarm; 0 = No error, 1 = Fault  
 HA = High Alarm; 0 = No error, 1 = Fault  
 LA = Low Alarm; 0 = No error, 1 = Fault  
 CM = Calibration Mode; 0 = Normal, 1 = Calibration mode  
 CF = Channel Fault Status; 0 = No error, 1 = Fault

## Interpret Status Indicators

Refer to the following diagram and table for information on how to interpret the status indicators.

### POINT I/O RTD and Isolated Thermocouple Input Modules





**Indicator Status for Modules**

	<b>Status</b>	<b>Description</b>
Module status	Off	No power applied to device.
	Green	Device operating normally.
	Flashing green	Device needs commissioning due to missing, incomplete, or incorrect configuration.
	Flashing red	Recoverable fault.
	Red	Unrecoverable fault occurred. Self-test failure present (checksum failure, or ramtest failure at cycle power). Firmware fatal error present.
	Flashing red/green	Device is in self-test mode.
Network status	Off	Device is not online: - Device has not completed dup_MAC-id test. - Device not powered – check module status indicator.
	Flashing green	Device is online but has no connections in the established state.
	Green	Device is online and has connections in the established state.
	Flashing red	One or more I/O connections are in timed-out state.
	Red	Critical link failure – failed communication device. Device detected error that prevents it from communicating on the network.
	Flashing red/green	Communication faulted device – the device has detected a network access error and is in communication faulted state. Device has received and accepted an Identity Communication Faulted Request – long protocol message.
Channel status	Off	Module is in CAL mode.
	Solid green	Normal operation is present with channel scanning inputs.
	Flashing green	Channel is being calibrated.
	Solid red	Major channel fault is present.
	Flashing red	Channel is at end of range (over or under).

## Specifications

### POINT I/O RTD Input Modules – 1734-IR2, 1734-IR2E

Attribute	1734-IR2	1734-IR2E
Number of inputs	2 single-ended, non-isolated	
Resolution	16 bits 9.5 m $\Omega$ /cnt 0.03 °C/cnt (Pt385 @ 25 °C) [0.05 °F/cnt (Pt385 @ 77 °F)]	16 bits 2.4 m $\Omega$ /cnt 0.006 °C/cnt (Pt385 @ 25 °C) [0.0114 °F/cnt (Pt385 @ 77 °F)]
Input range	0...600 $\Omega$	0...220 $\Omega$
Sensors supported	100 $\Omega$ Pt, $\alpha = 0.00385$ Euro -200...870 °C (-328...1598 °F) 200 $\Omega$ Pt, $\alpha = 0.00385$ Euro -200...630 °C (-328...1166 °F) 100 $\Omega$ Pt, $\alpha = 0.003916$ U.S. -200...630 °C (-328...1166 °F) 200 $\Omega$ Pt, $\alpha = 0.003916$ U.S. -200...630 °C (-328...1166 °F) 10 $\Omega$ Cu, $\alpha = 0.00427$ -200...260 °C (-328...500 °F) 100 $\Omega$ Ni, $\alpha = 0.00618$ -60...250 °C (-76...482 °F) 120 $\Omega$ Ni, $\alpha = 0.00672$ -60...250 °C (-76...482 °F) 120 $\Omega$ Ni, $\alpha = 0.00618$ -60...250 °C (-76...482 °F)	100 $\Omega$ Pt, $\alpha = 0.00385$ Euro -50...320 °C (-58...608 °F)
Absolute accuracy <sup>(1)(2)</sup>	0.1% Full Scale @ 25 °C (77 °F)	
Accuracy drift with temp(2).	30 ppm/°C	
Input update rate (per module)	40 ms @ Notch = 50 Hz 33 ms @ Notch = 60 Hz (default) 20 ms @ Notch = 100 Hz 17 ms @ Notch = 120 Hz 10 ms @ Notch = 200 Hz 8 ms @ Notch = 240 Hz 7 ms @ Notch = 300 Hz 5 ms @ Notch = 400 Hz 4 ms @ Notch = 480 Hz	
Step response (per channel)	60 ms @ Notch = 50 Hz 50 ms @ Notch = 60 Hz 30 ms @ Notch = 100 Hz 25 ms @ Notch = 120 Hz 15 ms @ Notch = 200 Hz 13 ms @ Notch = 240 Hz 10 ms @ Notch = 300 Hz 8 ms @ Notch = 400 Hz 6 ms @ Notch = 480 Hz	
Conversion type	Delta Sigma	

**POINT I/O RTD Input Modules – 1734-IR2, 1734-IR2E**

Attribute	1734-IR2	1734-IR2E
Common mode rejection ratio	120 dB	
Normal mode rejection ratio	100 dB	
Notch filter	-3 dB settable at the following: 13.1 Hz @ Notch = 50 Hz 15.7 Hz @ Notch = 60 Hz 26.2 Hz @ Notch = 100 Hz 31.4 Hz @ Notch = 120 Hz 52.4 Hz @ Notch = 200 Hz 62.9 Hz @ Notch = 240 Hz 78.6 Hz @ Notch = 300 Hz 104.8 Hz @ Notch = 400 Hz 125.7 Hz @ Notch = 380 Hz	
Data format	Signed integer	
Maximum overload	No input protection	
Calibration	Factory calibrated	

(1) Includes offset, gain, non-linearity, and repeatability error terms.

(2) Applies only to mV input for 1734-IT2I, and to ohms input for 1734-IR2 and 1734-IR2E modules. For more information on calculating Absolute Accuracy and Accuracy Drift, refer to POINT I/O Thermocouple and RTD Modules User Manual, publication [1734-UM004](#).

**POINT I/O Isolated Thermocouple Input Module – 1734-IT2I**

Attribute	Value			
Number of inputs	2 differential, individually isolated			
Resolution	15 bits plus sign 2.5 $\mu$ V/cnt			
Thermocouple type (and resolution average over span)	<b>Sensor</b>	<b>Range</b>	<b>Resolution (Average Over Span)</b>	
	Type B	30...1820 °C	(86...3308 °F)	3 counts/°C
	Type C	0...2315 °C	(32...4199 °F)	6 counts/°C
	Type E	-270...1000 °C	(-454...1832 °F)	24 counts/°C
	Type J	-210...1200 °C	(-346...2192 °F)	21 counts/°C
	Type K	-270...1372 °C	(-454...2502 °F)	13 counts/°C
	Type N	-270...1300 °C	(-454...2373 °F)	11 counts/°C
	Type R	-50...1768.1 °C	(-58...3214 °F)	4 counts/°C
	Type S	-50...1768.1 °C	(-58...3214 °F)	4 counts/°C
	Type T	-270...400 °C	(-454...752 °F)	15 counts/°C
Cold junction compensation	Included in 1734-RTBCJC remote termination block.			
Cold junction compensation range	0...70 °C (32...158 °F)			

**POINT I/O Isolated Thermocouple Input Module – 1734-IT2I**

<b>Attribute</b>	<b>Value</b>
Input voltage	±75 mV
Absolute accuracy	0.1% Full Scale @ 25 °C (77 °F)
Accuracy drift with temp.	30 ppm/°C
Input impedance	100 KΩ
Input resistance	1 MΩ
Conversion type	Delta Sigma
Data format	Signed integer
Maximum overload	Input not overvoltage protected
Calibration	Factory calibrated
Input update rate (per module)	20 ms @ Notch = 50 Hz 17 ms @ Notch = 60 Hz (default) 10 ms @ Notch = 100 Hz 8 ms @ Notch = 120 Hz 5 ms @ Notch = 200 Hz 4 ms @ Notch = 240 Hz 3 ms @ Notch = 300 Hz 3 ms @ Notch = 400 Hz 2 ms @ Notch = 480 Hz
Step response (per channel)	60 ms @ Notch = 50 Hz 50 ms @ Notch = 60 Hz 30 ms @ Notch = 100 Hz 25 ms @ Notch = 120 Hz 15 ms @ Notch = 200 Hz 13 ms @ Notch = 240 Hz 10 ms @ Notch = 300 Hz 8 ms @ Notch = 400 Hz 6 ms @ Notch = 480 Hz
Common mode rejection rate	120 dB
Normal mode rejection rate	-60 dB
Notch filter	-3 dB settable at the following: 13.1 Hz @ Notch = 50 Hz 15.7 Hz @ Notch = 60 Hz 26.2 Hz @ Notch = 100 Hz 31.4 Hz @ Notch = 120 Hz 52.4 Hz @ Notch = 200 Hz 62.9 Hz @ Notch = 240 Hz 78.6 Hz @ Notch = 300 Hz 104.8 Hz @ Notch = 400 Hz 125.7 Hz @ Notch = 380 Hz

## General Specifications

Attribute	Value
Terminal base screw torque	0.8 Nm (7 lb-in.)
Indicators	1 green/red – module status indicator, logic side 1 green/red – network status indicator, logic side 2 green/red – input status indicators, logic side
Module location	<b>1734-IT2I</b> – 1734-TBCJC wiring base assembly <b>1734-IR2, 1734-IR2E</b> – 1734-TB, 1734-TBS, 1734-TOP, or 1734-TOPS wiring base assembly
POINTBus current, max @ 5V DC	<b>1734-IT2I</b> – 175 mA <b>1734-IR2, 1734-IR2E</b> – 220 mA
Power dissipation, max	1.0 W
Thermal dissipation, max	3.3 BTU/hr
Isolation voltage	50V (continuous), Basic Insulation Type, I/O to system Type tested @ 1600V AC for 60 s
External DC power	No external supply required
Dimensions, approx., HxWxD	56 x 12 x 75.5 mm (2.21 x 0.47 x 2.97 in.)
Wiring category <sup>(1)</sup>	1 – on signal ports
Wire size	When using 1734-TBCJC, 0.25...2.5 mm <sup>2</sup> (22...14 AWG) shielded thermocouple wire, 1.2 mm (3/64 in.) insulation max When using 1734-TB, 1734-TBS, 1734-TOP or 1734-TOPS, 0.25...2.5 mm <sup>2</sup> (22...14 AWG) solid or stranded shielded copper wire rated at 75 °C (167 °F) or greater 1.2 mm (3/64 in.) insulation max
Weight, approx.	0.036 kg (0.08 lb)
IEC temperature code	<b>1734-IR2, 1734-IT2I</b> – T4
North American temp code	T5
Enclosure type rating	None (open-style)
Keypress position	6


<sup>(1)</sup> Use this conductor category information for planning conductor routing as described in Industrial Automation Wiring and Grounding Guidelines, publication [1770-4.1](#).

## 22 POINT I/O RTD and Isolated Thermocouple Input Modules

### Environmental Specifications

Attribute	Value
Temperature, operating	IEC 60068-2-1 (Test Ad, Operating Cold), IEC 60068-2-2 (Test Bd, Operating Dry Heat), IEC 60068-2-14 (Test Nb, Operating Thermal Shock): -20...55 °C (-4...131 °F)
Temperature, storage	IEC 60068-2-1 (Test Ab, Unpackaged Nonoperating Cold), IEC 60068-2-2 (Test Bb, Unpackaged Nonoperating Dry Heat), IEC 60068-2-14 (Test Na, Unpackaged Nonoperating Thermal Shock): -40...85 °C (-40...185 °F)
Relative humidity	IEC 60068-2-30 (Test Db, Unpackaged Damp Heat): 5...95% noncondensing
Vibration	IEC60068-2-6 (Test Fc, Operating): 5 g @ 10...500 Hz
Shock, operating	EC 60068-2-27 (Test Ea, Unpackaged Shock): 30 g
Shock, nonoperating	EC 60068-2-27 (Test Ea, Unpackaged Shock): 50 g
Emissions	CISPR11 Group 1, Class A
ESD immunity	IEC6100-4-2: 6 kV contact discharges 8 kV air discharges
Radiated RF immunity	IEC 61000-4-3: 10V/m with 1 kHz sine-wave 80% AM from 80...2000 MHz 10V/m with 200 Hz 50% Pulse 100% AM at 900 MHz 10V/m with 200 Hz 50% Pulse 100% AM at 1890 MHz 3V/m with 1 kHz sine-wave 80% AM from 2000...2700 MHz
EFT/B immunity	IEC 61000-4-4: ±4kV at 5 kHz on signal ports
Surge transient immunity	IEC 61000-4-5: ±2 kV line-earth (CM) on shielded ports
Conducted RF immunity	IEC61000-4-6: 10V rms with 1 kHz sine-wave 80%AM from 150 kHz...80 MHz

**Certifications**

<b>Certification (when product is marked)<sup>(1)</sup></b>	<b>Value</b>
c-UL-us	UL Listed Industrial Control Equipment, certified for US and Canada. See UL File E65584.  UL Listed for Class I, Division 2 Group A,B,C,D Hazardous Locations, certified for U.S. and Canada. See UL File E194810.
CE	European Union 2004/108/EC EMC Directive, compliant with: EN 61326-1; Meas./Control/Lab., Industrial Requirements EN 61000-6-2; Industrial Immunity EN 61000-6-4; Industrial Emissions EN 61131-2; Programmable Controllers (Clause 8, Zone A & B).
Ex <sup>(2)</sup> 	European Union 94/9/EC ATEX Directive, compliant with: EN 60079-0:2012 + A11:2013; General Requirements EN 60079-15:2010; Potentially Explosive Atmospheres, Protection "n" II 3 G Ex nA IIC T4 Gc DEMKO 04 ATEX 0330347X
C-Tick	Australian Radiocommunications Act, compliant with: AS/NZS CISPR11; Industrial Emissions.

<sup>(1)</sup> See the Product Certification link at <http://www.rockwellautomation.com/products/certification/> for Declaration of Conformity, Certificates, and other certification details.

<sup>(2)</sup> Applies to all modules except for the 1734-IR2E modules.

## Rockwell Automation Support

Rockwell Automation provides technical information on the Web to assist you in using its products. At <http://www.rockwellautomation.com/support/>, you can find technical manuals, a knowledge base of FAQs, technical and application notes, sample code and links to software service packs, and a MySupport feature that you can customize to make the best use of these tools.

For an additional level of technical phone support for installation, configuration and troubleshooting, we offer TechConnect support programs. For more information, contact your local distributor or Rockwell Automation representative, or visit <http://www.rockwellautomation.com/support/>.

## Installation Assistance

If you experience a problem within the first 24 hours of installation, please review the information that's contained in this manual. You can also contact a special Customer Support number for initial help in getting your product up and running.

United States or Canada	1.440.646.3434
Outside United States or Canada	Use the <a href="#">Worldwide Locator</a> at <a href="http://www.rockwellautomation.com/support/americas/phone_en.html">http://www.rockwellautomation.com/support/americas/phone_en.html</a> , or contact your local Rockwell Automation representative.

## New Product Satisfaction Return

Rockwell Automation tests all of its products to ensure that they are fully operational when shipped from the manufacturing facility. However, if your product is not functioning and needs to be returned, follow these procedures.

United States	Contact your distributor. You must provide a Customer Support case number (call the phone number above to obtain one) to your distributor to complete the return process.
Outside United States	Please contact your local Rockwell Automation representative for the return procedure.

## Documentation Feedback

Your comments will help us serve your documentation needs better. If you have any suggestions on how to improve this document, complete this form, publication [RA-DU002](#), available at <http://www.rockwellautomation.com/literature/>.

Allen-Bradley, Rockwell Automation, ArmorBlock, and TechConnect are trademarks of Rockwell Automation, Inc.

Trademarks not belonging to Rockwell Automation are property of their respective companies.

Rockwell Otomasyon Ticaret A.Ş., Kar Plaza İş Merkezi E Blok Kat:6 34752 İçerenköy, İstanbul, Tel: +90 (216) 5698400

[www.rockwellautomation.com](http://www.rockwellautomation.com)

### Power, Control and Information Solutions Headquarters

Americas: Rockwell Automation, 1201 South Second Street, Milwaukee, WI 53204-2496 USA, Tel: (1) 414.382.2000, Fax: (1) 414.382.4444  
Europe/Middle East/Africa: Rockwell Automation, Voorlaan/Boulevard du Souverain 36, 1170 Brussels, Belgium, Tel: (32) 2 663 0600, Fax: (32) 2 663 0640  
Asia Pacific: Rockwell Automation, Level 14, Core F, Cyberport 3, 100 Cyberport Road, Hong Kong, Tel: (852) 2887 4788, Fax: (852) 2508 1846

Publication 1734-IN011H-EN-E - June 2015

Supersedes Publication 1734-IN011H-EN-E - February 2014

Copyright © 2015 Rockwell Automation, Inc. All rights reserved.