



[Catalog Home](#)

Product Datasheet


ANDERSON FARGO

GC113CB -- Grounding Clamp



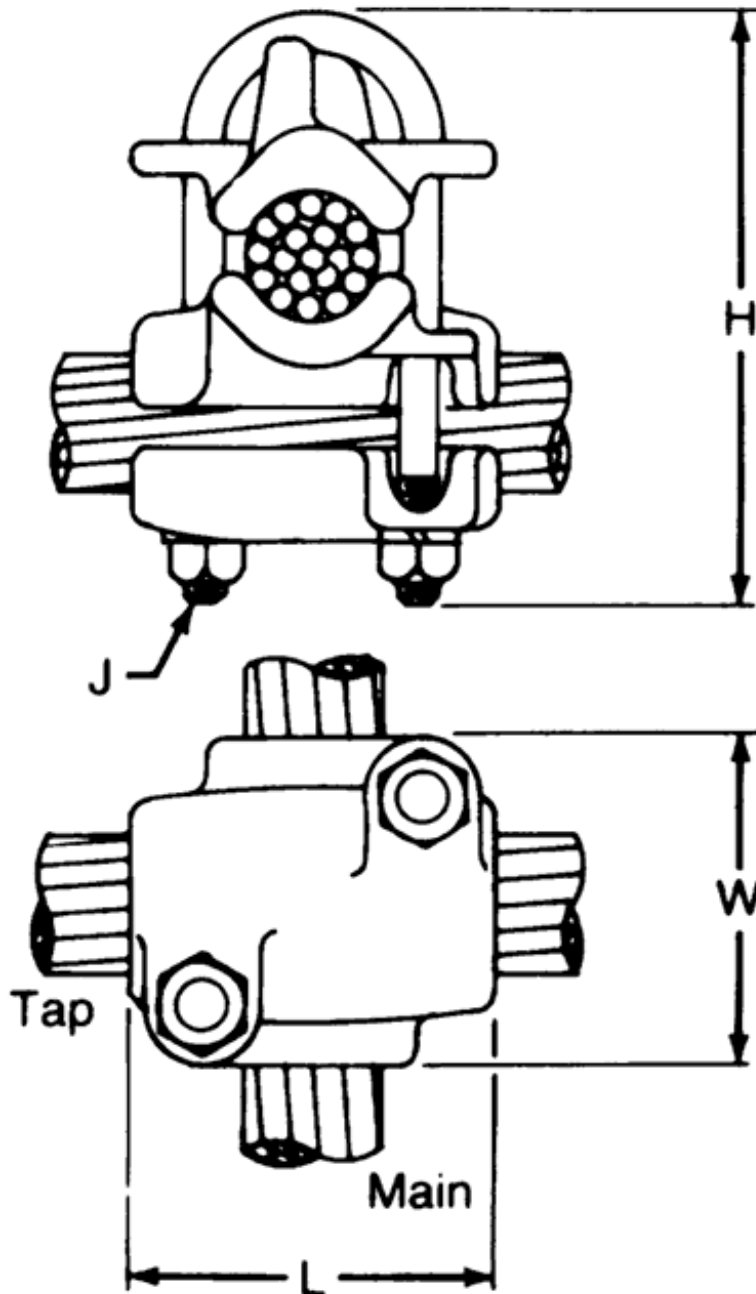
Grounding Clamp, Copper Cable to Crossing Cable, U-bolt style

Product Specifications

Series	 GC-113 Series Bronze Cable to Crossing Cable Grounding Clamps
PDF Catalog Page	Click HERE to view the web page.
Material	Bronze
Hardware Material	Stainless Steel
Dimension H	3.38 in (85.72 mm)
Dimension J	.38 in (9.52 mm)
Dimension L	2.38 in (60.32 mm)
Dimension W	2.38 in (60.32 mm)
Conductor Size Min. / Max.	Cu 250 kcmil (19) Thru Cu 500 kcmil (37)
Conductor Type	Copper
Minimum Conductor Diameter	0.574 (in)
Maximum Conductor Diameter	0.813 (in)
UPC Code	09635930621
Standard Package	1
Standard Package Unit	Each
Min Order Qty	1
Weight / Ea.	1.176 lbs
Material Type	Non-Standard

Compressed Product Number

GC113CB



[Catalog Home](#)



[Warranty Info](#) | [Trademarks](#) | [Terms of Use](#)

All contents Copyright © 2007 Hubbell Power Systems, Inc. All rights reserved.

NOTE: Because Hubbell has a policy of continuous product improvement, we reserve the right to change design and specifications without notice.