



[Catalog Home](#)

**Product Datasheet**



**ANDERSON FARGO**

**TCC4022022 -- Tee, Bronze Bolted**



Tee, Bronze Bolted, Cable to Cable, 0.162-0.419 Main to 0.162-0.419 Tap

**Product Specifications**

<p>Family Image</p>	 <p>Tees</p>
<p>Tees</p>	 <p>TCC Series Cable to Cable Bronze Bolted Tees</p>
<p>PDF Catalog Page</p>	<p><a href="#">Click HERE to view the web page.</a></p>
<p>Clamping Hardware Material</p>	<p>Stainless Steel</p>
<p>Dimension A</p>	<p>1.50 in (38.1 mm)</p>
<p>Dimension B</p>	<p>2.63 in (66.7 mm)</p>
<p>Dimension J</p>	<p>.38 in (9.53 mm)</p>
<p>Dimension W</p>	<p>1.50 in (38.1 mm)</p>
<p>Minimum Conductor</p>	<p>0.162</p>
<p>Maximum Conductor</p>	<p>0.419</p>
<p>Main Conductor Minimum Diameter</p>	<p>0.162</p>
<p>Main Conductor Maximum Diameter</p>	<p>0.419</p>

Tap Conductor Minimum Diameter	0.162
Tap Conductor Maximum Diameter	0.419
Material Type	Non-Standard
UPC Code	09635933081
Standard Package	30
Standard Package Unit	Each
Min Order Qty	1
Weight / Ea.	1.078 lbs

**Compressed Product Number**  
TCC4022022

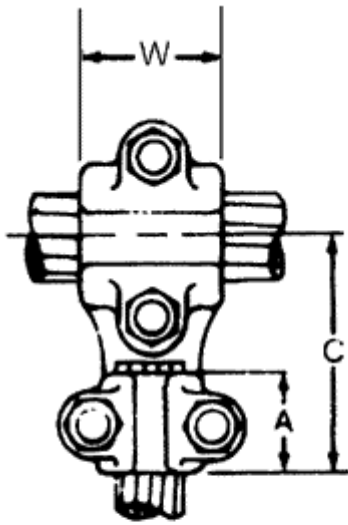


Fig. 1

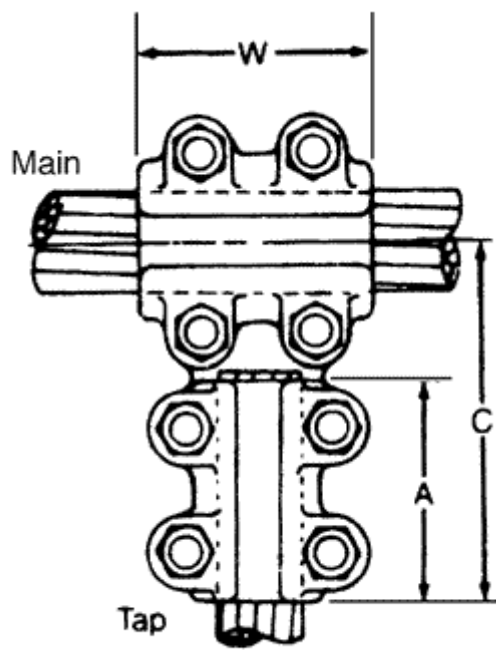
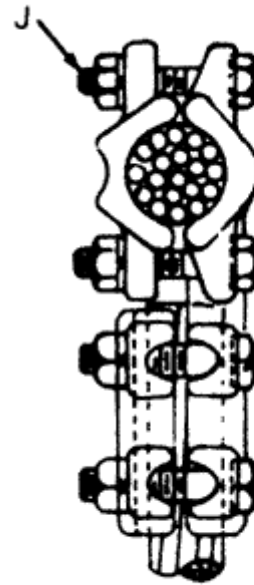


Fig. 2



[Catalog Home](#)



[Warranty Info](#) | [Trademarks](#) | [Terms of Use](#)

All contents Copyright © 2007 Hubbell Power Systems, Inc. All rights reserved.

NOTE: Because Hubbell has a policy of continuous product improvement, we reserve the right to change design and specifications without notice.