



[Catalog Home](#)

Product Datasheet

ANDERSON FARGO

TCC80500253 -- Tee, Bronze Bolted



Tee, Bronze Bolted, Cable to Cable, 0.325-0.813 Main to 0.204-0.575 Tap

Product Specifications

Family Image



Tees

Tees



TCC Series
Cable to Cable
Bronze Bolted Tees

PDF Catalog Page

[Click HERE to view the web page.](#)

Clamping Hardware Size

.375 in

Clamping Hardware Material

Stainless Steel

Dimension A

2.75 in (69.9 mm)

Dimension B

4.00 in (101.6 mm)

Dimension J

.38 in (9.53 mm)

Dimension W

2.75 in (69.9 mm)

Minimum Conductor

0.325

Maximum Conductor

0.813

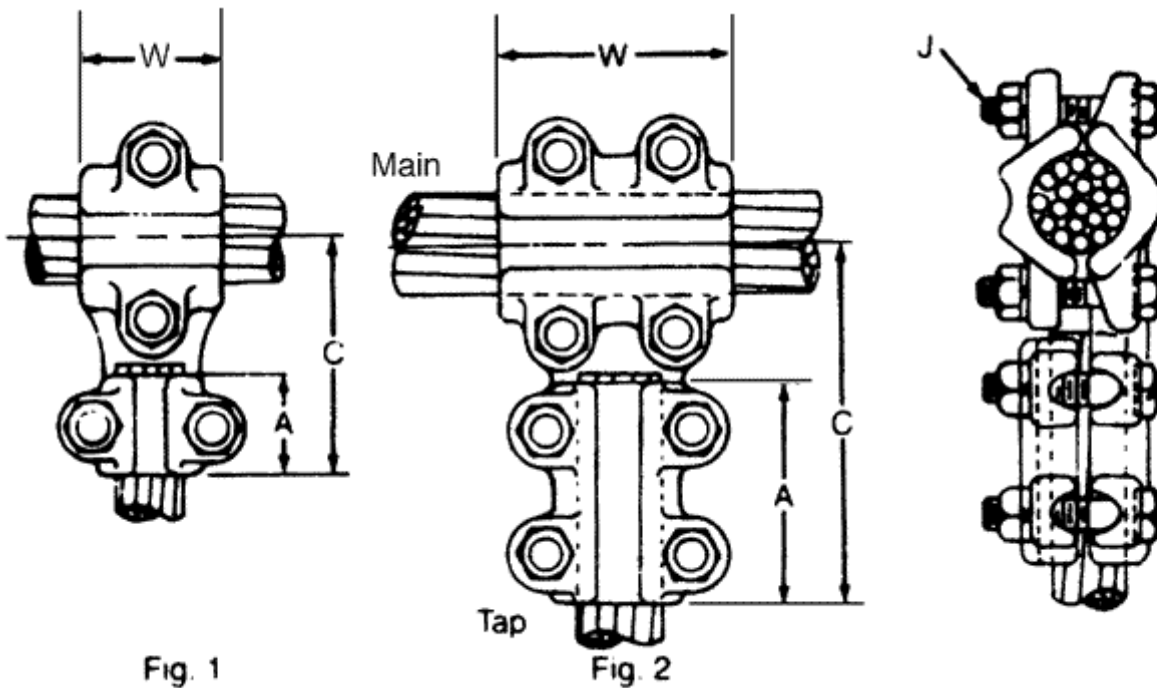
Main Conductor Minimum Diameter

0.325

Main Conductor Maximum Diameter	0.813
Tap Conductor Minimum Diameter	0.204
Tap Conductor Maximum Diameter	0.575
Material Type	Non-Standard
UPC Code	09635933093
Standard Package	18
Standard Package Unit	Each
Min Order Qty	1
Weight / Ea.	2.254 lbs

Compressed Product Number

TCC80500253



[Catalog Home](#)



[Warranty Info](#) | [Trademarks](#) | [Terms of Use](#)

All contents Copyright © 2007 Hubbell Power Systems, Inc. All rights reserved.

NOTE: Because Hubbell has a policy of continuous product improvement, we reserve the right to change design and specifications without notice.