



[Catalog Home](#)

**Product Datasheet**



**ANDERSON FARGO**

**WCI3434 -- Coupler, Aluminum Weldment**



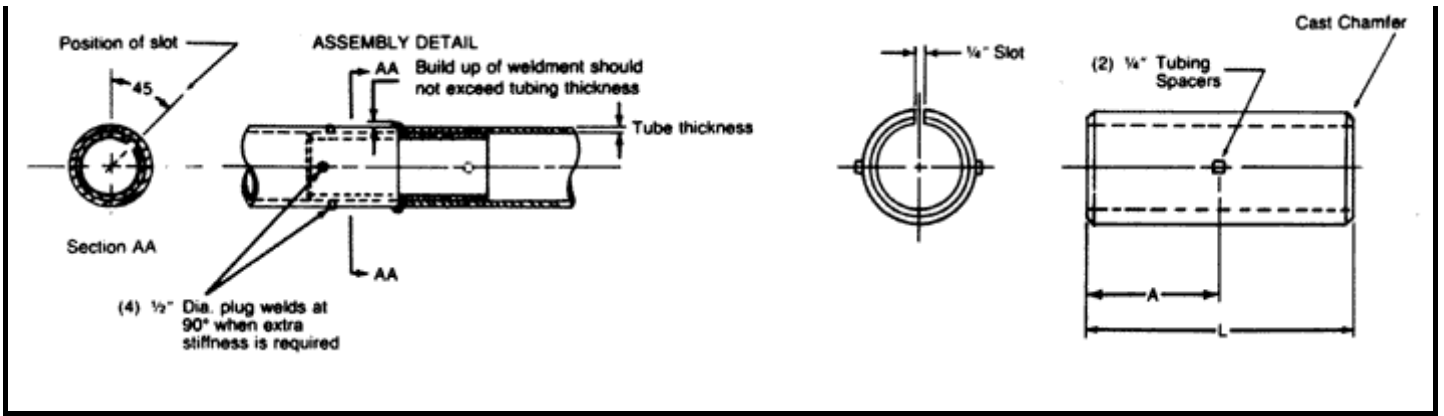
Coupler, Tube to Tube, Aluminum Weldment, 3-1/2 to 3-1/2 IPS tubes

**Product Specifications**

<p><b>Family Image</b></p>	 <p><b>Couplers</b></p>
<p><b>Couplers</b></p>	 <p><b>WCI Series</b> Tube to Tube (Large), Straight Aluminum Weldment Couplers</p>
<p><b>PDF Catalog Page</b></p>	<p><a href="#">Click HERE to view the web page.</a></p>
<p><b>Dimension A</b></p>	<p>10.50 in (266.7 mm)</p>
<p><b>Dimension L</b></p>	<p>18.0 in (457.2 mm)</p>
<p><b>Material Type</b></p>	<p>Non-Standard</p>
<p><b>UPC Code</b></p>	<p>09635934090</p>
<p><b>Standard Package</b></p>	<p>9</p>
<p><b>Standard Package Unit</b></p>	<p>Each</p>
<p><b>Min Order Qty</b></p>	<p>1</p>
<p><b>Weight / Ea.</b></p>	<p>4.508 lbs</p>

**Compressed Product Number**

WCI3434



Catalog Home



[Warranty Info](#) | [Trademarks](#) | [Terms of Use](#)

All contents Copyright © 2007 Hubbell Power Systems, Inc. All rights reserved.

NOTE: Because Hubbell has a policy of continuous product improvement, we reserve the right to change design and specifications without notice.