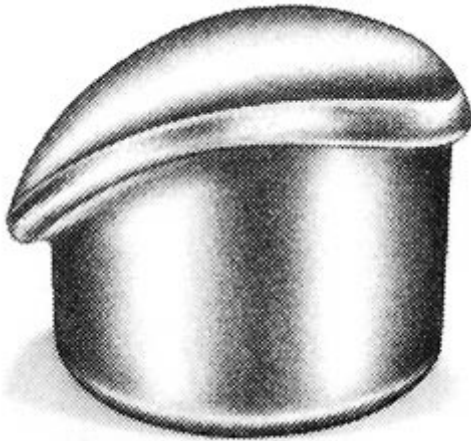




**Product Datasheet**

**ANDERSON FARGO**

**WTT153420 -- Tee, Aluminum Weldment**



Tee, Aluminum Weldment, Angle, Tube to Tube, 3-1/2 to 2 IPS/EHIPS tubes

**Product Specifications**

**Family Image**



Tees

**Tees**



**WTT-15 Series**  
Tube to Tube, 15 Degree  
Aluminum Weldment Tees

**PDF Catalog Page**

[Click HERE to view the web page.](#)

**Dimension A**

1.25 in (31.8 mm)

**Dimension B**

4.13 in (104.8 mm)

**Dimension L**

4.00 in (101.6 mm)

**Material Type**

Non-Standard

**UPC Code**

09635934315

**Standard Package**

1

**Standard Package Unit**

Each

**Min Order Qty**

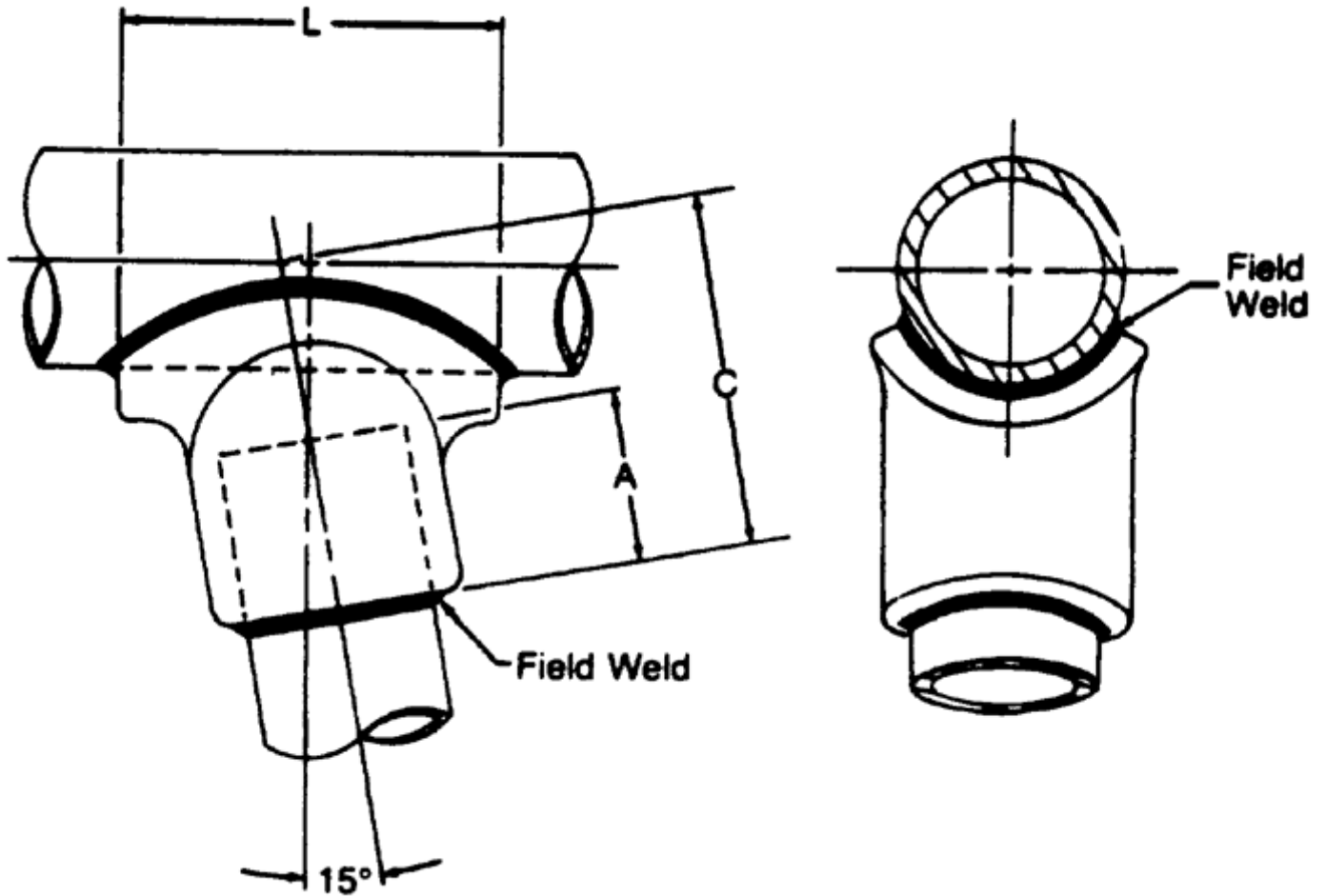
1

Weight / Ea.

1.274 lbs

**Compressed Product Number**

WTT153420



[Catalog Home](#)



[Warranty Info](#) | [Trademarks](#) | [Terms of Use](#)

*All contents Copyright © 2007 Hubbell Power Systems, Inc. All rights reserved.*

NOTE: Because Hubbell has a policy of continuous product improvement, we reserve the right to change design and specifications without notice.