



[Catalog Home](#)

Product Datasheet

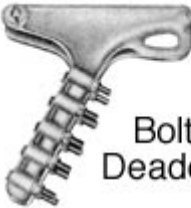

ANDERSON FARGO

SD86C -- Strain Clamp, Quadrant, Heavy Duty



Strain Clamp, Quadrant, Heavy Duty, Aluminum, Conductor Range 0.46 - 0.94 in, Fitting: Clevis

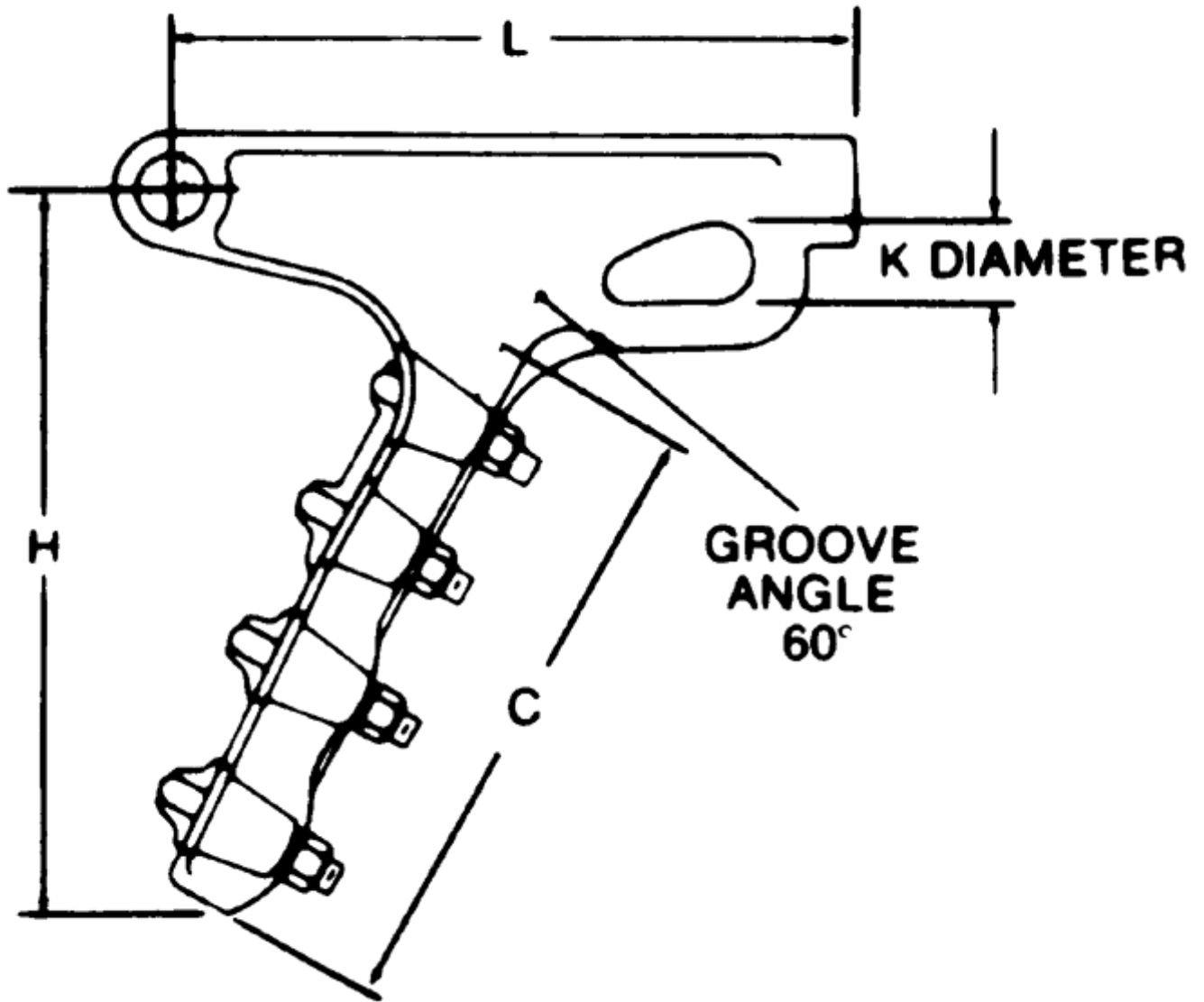
Product Specifications

<p>Category Image</p>	 <p>Bolted Deadends Aluminum & Bronze Quadrant Aluminum & Copper Conductor</p>
<p>Series Image (Quadrant)</p>	 <p>SD Series Quadrant Dead End Bolted, Aluminum AAC, AAAC & ACSR Conductor</p>
<p>PDF Catalog Page</p>	<p>Click HERE to view the web page.</p>
<p>Fitting Type</p>	<p>Clevis</p>
<p>Style</p>	<p>SD - Strain Clamp, Quadrant, Heavy Duty</p>
<p>Type</p>	<p>Bolted</p>
<p>Material</p>	<p>Aluminum</p>
<p>Fitting Catalog No.</p>	<p>CA-06</p>
<p>Voltage Application</p>	<p>Std</p>
<p>Body and Keeper Material</p>	<p>356 T6 Aluminum Alloy</p>
<p>Socket and Clevis Material</p>	<p>Galvanized Ductile Iron</p>
<p>Clevis Pin Material</p>	<p>Galvanized Ductile Iron</p>
<p>Cotter Pin Material</p>	<p>#302 Stainless Steel</p>
<p>Hardware Material</p>	<p>Galvanized Steel</p>

Ultimate Body Strength	25,000 lb (11,340 kg)
U-Bolts	4
Bolt Size	.50 in (12.70 mm)
Dimension C	7 3/8 in (187.33 mm)
Dimension H	9 5/8 in (244.48 mm)
Dimension K	1.25 in (31.75 mm)
Dimension L	11.25 in (285.75 mm)
Dimension W	1 1/16 in (26.99 mm)
Pin Diameter	0.625 in (15.88 mm)
Clevis Opening	.875 in (22.23 mm)
Conductor Range Minimum - Maximum	AAC 3/0 str (7) Thru AAC 650 kcmil (91) AAAC 3/0 str(7) Thru AAAC 652.8 kcmil str (19) ACSR 101.8 kcmil (12/7) Thru ACSR 636.0 kcmil (18/1) ACAR 503.6 kcmil (15/4) Thru ACAR 653.1 kcmil (12/7)
Minimum Conductor Diameter	0.46
Maximum Conductor Diameter	0.94
Weight / Ea.	6.96 lbs
Standard Package	9
UPC Code	09635932553

Compressed Product Number

SD86C



Dimensions

[Catalog Home](#)



[Warranty Info](#) | [Trademarks](#) | [Terms of Use](#)

All contents Copyright © 2007 Hubbell Power Systems, Inc. All rights reserved.

NOTE: Because Hubbell has a policy of continuous product improvement, we reserve the right to change design and specifications without notice.