



[Catalog Home](#)

Product Datasheet


ANDERSON FARGO

GC1114C -- Grounding Clamp

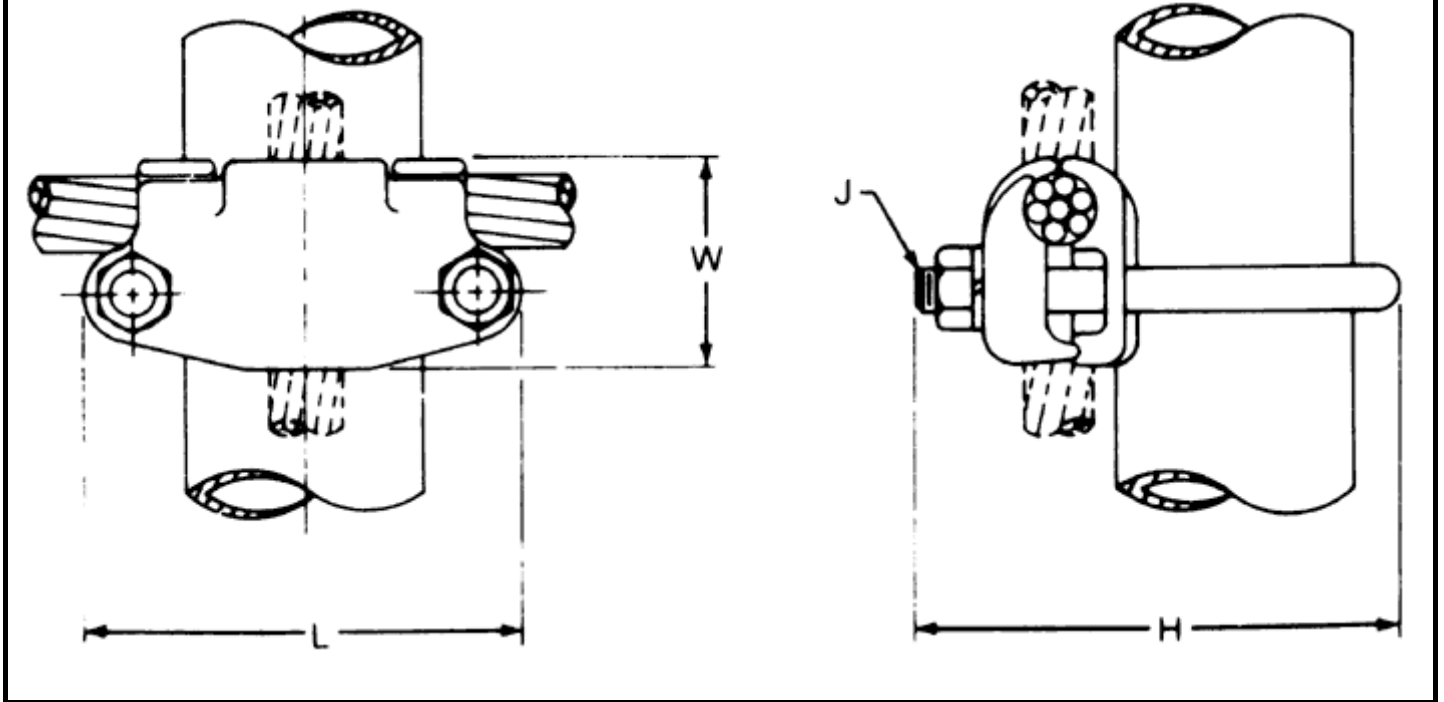


Grounding Clamp, Copper Cable to Rod or Tube, U-bolt style

Product Specifications

<p>Series</p>	 <p>GC-111 Series Bronze Cable to Rod or Tube Grounding Clamps</p>
<p>PDF Catalog Page</p>	<p>Click HERE to view the web page.</p>
<p>Clamping Hardware Diameter</p>	<p>3/4 - 1 in</p>
<p>Rod / Tube O.D. Size</p>	<p>1 - 1 1/4 in</p>
<p>Rod / Tube Size (Ips)</p>	<p>3/4 - 1 in</p>
<p>Material</p>	<p>Bronze</p>
<p>Hardware Material</p>	<p>Stainless Steel</p>
<p>Dimension H</p>	<p>3.88 in (98.42 mm)</p>
<p>Dimension J</p>	<p>.50 in (12.70 mm)</p>
<p>Dimension L</p>	<p>2.88 in (73.02 mm)</p>
<p>Dimension W</p>	<p>1.88 in (47.62 mm)</p>
<p>Conductor Size Min. / Max.</p>	<p>Cu 2/0 sol Thru Cu 250 kcmil (37)</p>
<p>Conductor Type</p>	<p>Copper</p>
<p>Minimum Conductor Diameter</p>	<p>0.365 (in)</p>
<p>Maximum Conductor Diameter</p>	<p>0.575 (in)</p>
<p>UPC Code</p>	<p>09635930594</p>
<p>Standard Package</p>	<p>12</p>
<p>Standard Package Unit</p>	<p>Each</p>
<p>Min Order Qty</p>	<p>1</p>
<p>Weight / Ea.</p>	<p>1.764 lbs</p>
<p>Material Type</p>	<p>Non-Standard</p>

Compressed Product Number



[Catalog Home](#)



[Warranty Info](#) | [Trademarks](#) | [Terms of Use](#)

All contents Copyright © 2007 Hubbell Power Systems, Inc. All rights reserved.

NOTE: Because Hubbell has a policy of continuous product improvement, we reserve the right to change design and specifications without notice.