



# 50 Amp Wiring Devices

FOR INDUSTRIAL, COMMERCIAL  
& OEM APPLICATIONS

Non-NEMA Locking Plugs,  
Connectors, Receptacles  
& Flanged Inlets

black & white®



# black & white®

## 50 Amp Non-NEMA Locking Devices

### INDUSTRIAL CONNECTIONS

## INNOVATIVE DESIGN

Leviton worked closely with commercial and industrial electricians to imagine the ideal locking device. With this vision, we worked from the ground up to produce a top-quality device that was rugged, yet easy to use. The result — our Black & White® 50 Amp Locking Devices.

- Plugs, connectors, receptacles and inlets feature tough, impact resistant nylon housings and are backed by an **Industry-Leading LIFETIME Warranty**
- Certified to meet UL, CSA and NOM standards
- Retrofits are easy as these will mate with competitive devices

PREMIUM MATERIALS  
FOR RUGGED  
CONSTRUCTION

RUGGED  
CONSTRUCTION  
EXTENDS DEVICE LIFE

EXTENDED LIFE  
REDUCES EQUIPMENT  
DOWNTIME

REDUCED DOWNTIME  
REDUCES LABOR COSTS  
AND INCREASES PROFITS

### Faster & Easier-to-Wire

- Screwless face module for plugs and connectors
- Connect cable your way:
  - External cable clamp with screws in one plane comes standard
  - Optional, **Industry-Exclusive Screwless Cable Clamp** available for plugs and connectors
- Single piece flanged inlet that wires in one step

### Longer Life

- Metal shrouds on receptacles and plugs provide reliable and durable connections
- Single piece stainless steel straps on receptacles for continuous conductivity and corrosion-resistance
- Some devices are available with corrosion-resistance to ensure maximum performance in harsh environments



PLUGS, CONNECTORS,  
RECEPTACLES & INLETS

INDUSTRY-EXCLUSIVE!



## IDEAL FOR THE TOUGHEST AND MOST DEMANDING APPLICATIONS

- Construction
- Manufacturing
- Data Centers
- Welding
- Natural Disaster Response
- Portable Generators
- ...and more

## Portfolio Summary & Quick Order Guide



### CONFIGURATIONS

Poles/Wires	Amps	Volts/Phase	Type	Plug Details on pg 4	Connector Details on pg 4	Receptacle Details on pg 6	Flanged Inlet Details on pg 8
2-Pole, 3-Wire	50	250 V DC/ 600 V AC	Standard	3763C	3762C	3771	3777
		125 V	California-Style	CS6361C	CS6360C	CS6370	CS6377
		250 V	California-Style	CS8265C	CS8264C	CS8269	CS8275
		480 V	California-Style	CS8465C	CS8464C	CS8469	CS8475
		125 V	Corrosion-Resistant	6361CR	6360CR	6370CR	6377CR
3-Pole, 4-Wire	50	250 V DC/ 600 V AC	Standard	3765C	3764C	3769	3775
		250 V DC/ 600 V AC	Standard	7765C*	7764C*	7379*	7958*
		125/250 V	California-Style	CS6365C CS6365W**	CS6364C CS6364W**	CS6369	CS6375
		3Ø250 V	California-Style	CS8365C	CS8364C	CS8369	CS8375
		3Ø480 V	California-Style	CS8165C	CS8164C	CS8169	CS8175
		125/250 V	Corrosion-Resistant	6365CR	6364CR	6369CR	6375CR

\*This device is for replacement use only in existing installations. | \*\*Screwless Cable Clamp

### ACCESSORIES

#### Flanged Inlets

Details on pg 10



FS/FD Mount WP Covers			
Color	Dia Opening	Cat No	
Yellow	3"	WP3-YL	
Gray	(Used with inlets & outlets that mount from behind the panel)	WP3-G	
Black		WP3-EB	
Yellow	2.6"	WP4-YL	
Gray		(Used with inlets & outlets that mount in front of the panel)	WP4-G
Black		WP4-EB	

#### Receptacles

Details on pg 10



Metal Flip Lid (Left)	
Color	Cat No
Gray	7770
Thermoplastic Flip Lid (Right)	
Yellow	7788-CR
Gray	7788-CRG

#### Plugs & Connectors

Details on pg 11



Plug & Connector Boots		
Type	Black	Yellow
Plug	7715CR	7715CR-Y
Connector	7717CR	7717CR-Y

Wire Mesh Connection Grips	
L8003-100	
L8004-100	
L8005-100	
L8006-100	



# 50 Amp Non-NEMA Locking Devices

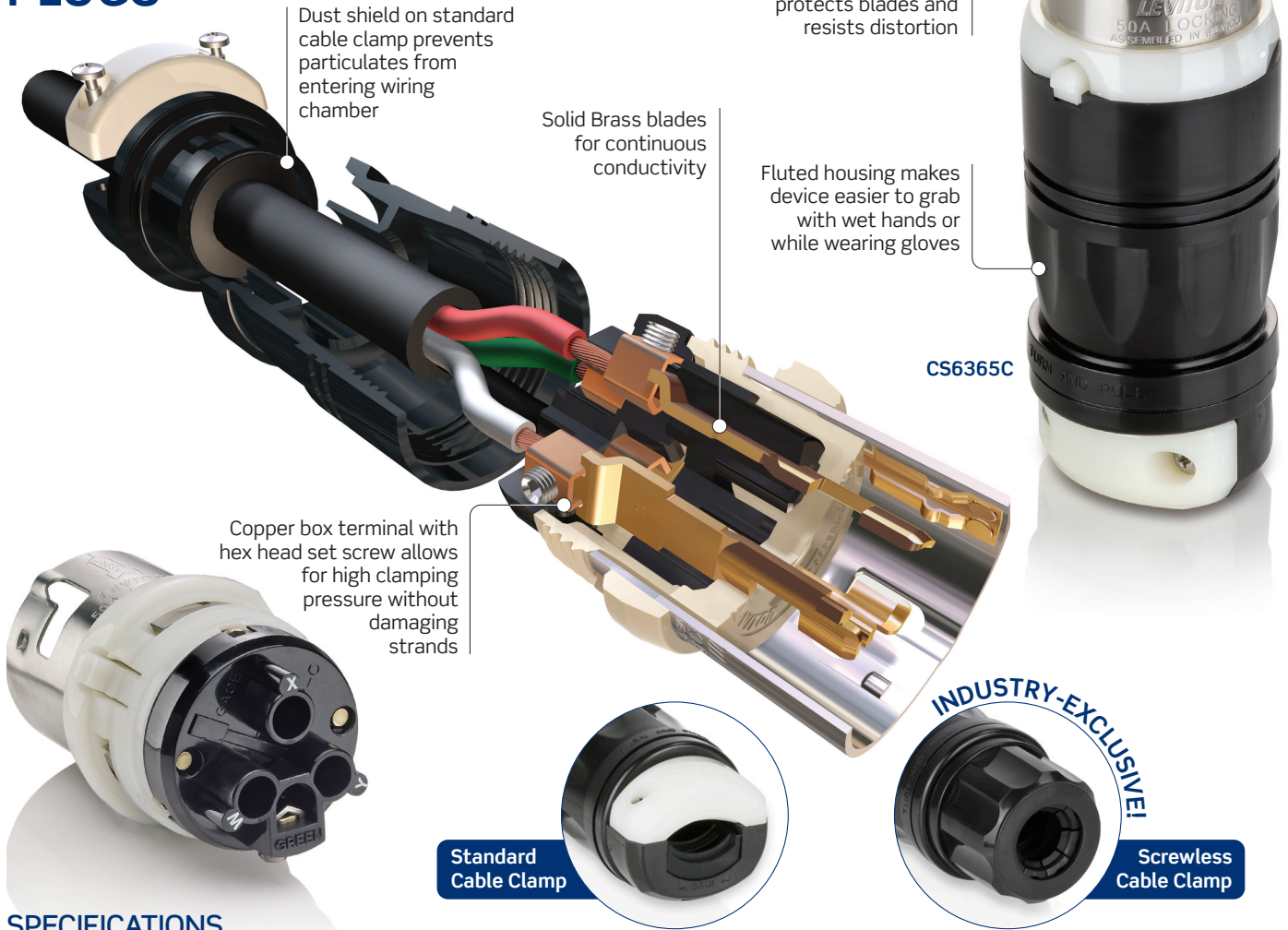


BLACK & WHITE® • INDUSTRIAL GRADE

## Plugs & Connectors

2-POLE, 3-WIRE GROUNDING & 3-POLE, 4-WIRE GROUNDING

### PLUGS



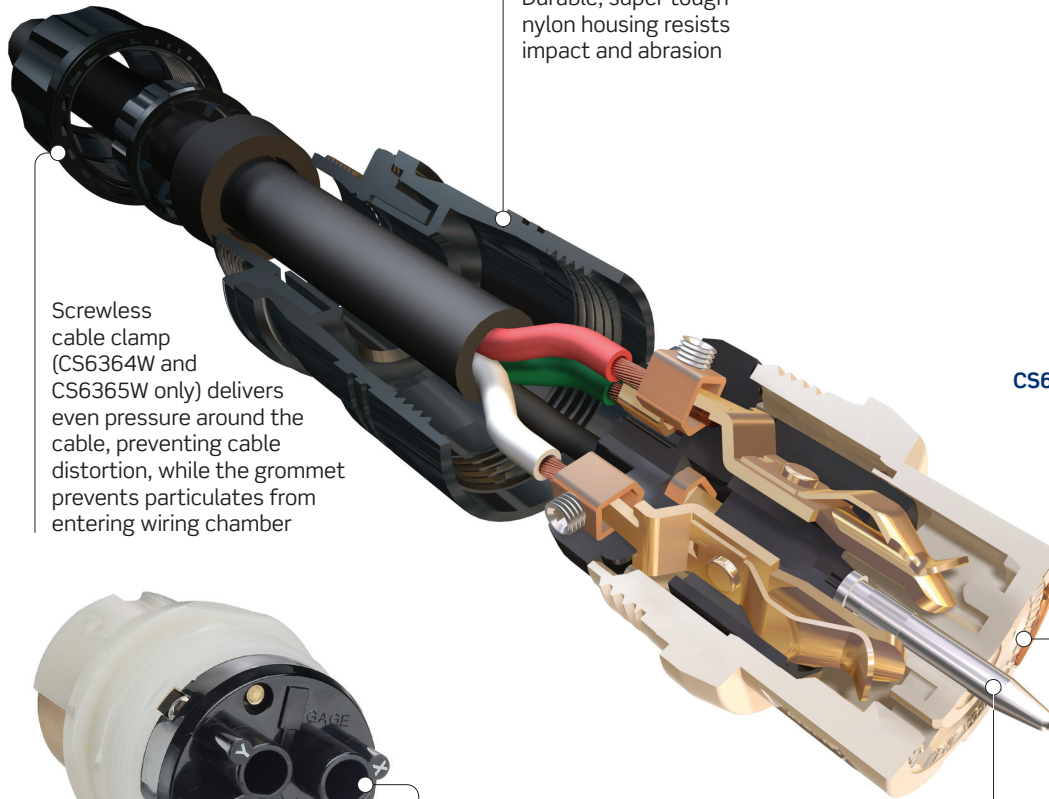
### SPECIFICATIONS

Electrical	
Dielectric Voltage	Withstands 2000 V minimum per UL 498
Maximum Working Voltage	125 V or 250 V or 480 V or 250 V DC/600 V AC as rated on device
Current Interrupting	Certified for current interrupting at full rated current
Temperature Rise	Maximum 30°C temperature rise at full-rated current after 150 cycles of overload at 150% rated DC current
Mechanical	
Terminal Identification	X, W, Y, Z and Green for ground
Terminal Accommodation	#10 min to #4 max AWG Solid or Stranded Wire
Product Identification	Ratings and Catalogue No. molded into face and stamped into shroud
Environmental	
Flammability	Rated UL 94 HB
Operating Temperature	-40°C to 75°C (-40°F to 167°F)
Certifications and Code Compliance	The plugs and connectors listed herein comply with UL 498 (UL file # E13399), CSA C22.2 No. 42 and meet Mexican NOM standards. They are RoHS compliant. Leviton 50 Amp locking plugs and connectors are suitable for use in accordance with federal, state, county, municipal and local codes.





# CONNECTORS



Screwless cable clamp (CS6364W and CS6365W only) delivers even pressure around the cable, preventing cable distortion, while the grommet prevents wiring chamber

Durable, super tough nylon housing resists impact and abrasion

Screwless face module makes for faster connections

CS6364C



Deep wire wells make larger diameter cable easier to wire

California-Style connectors feature Stainless Steel locator pin

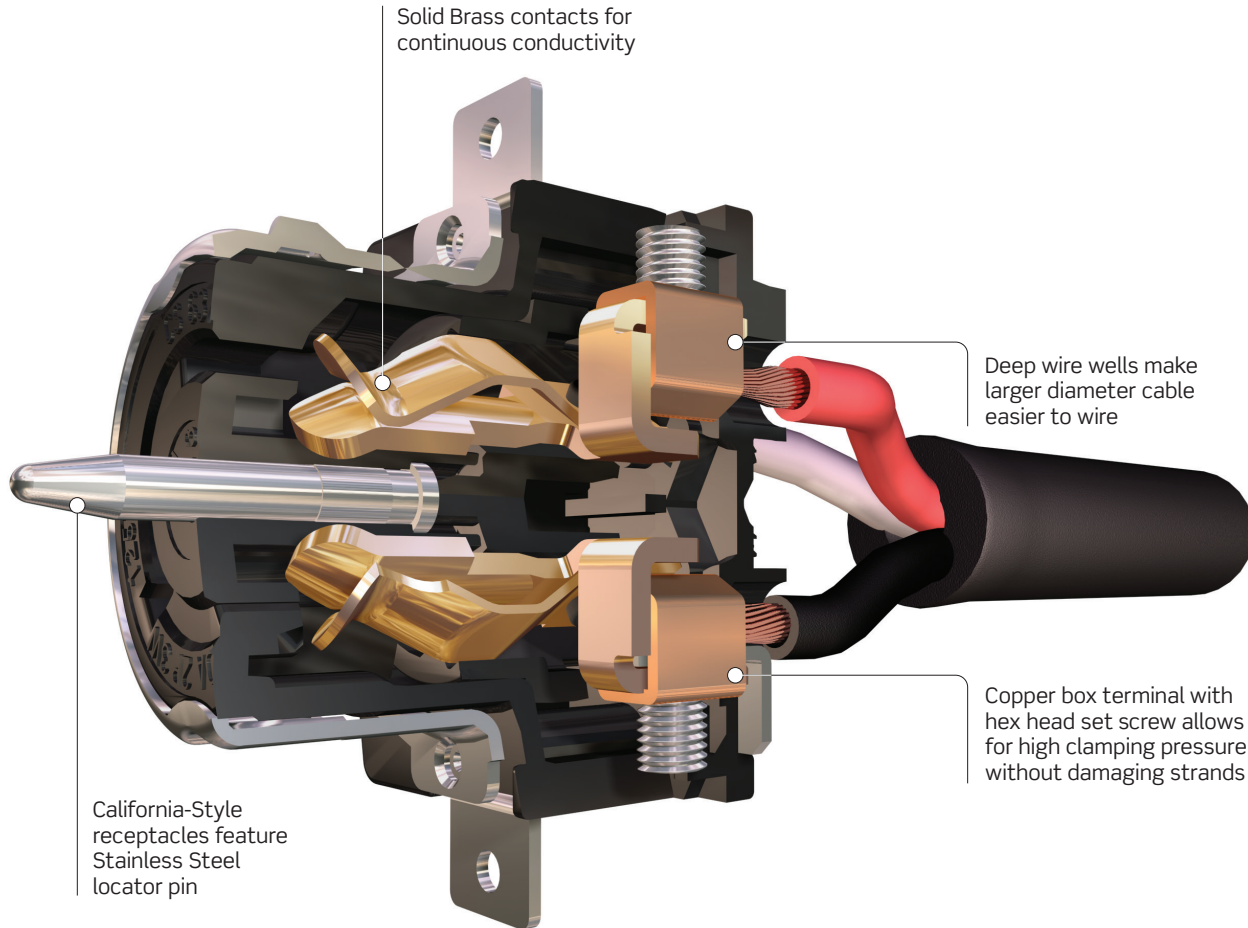
Ratings and catalogue numbers molded into the face module make devices easy to identify for connection or replacement

## ORDERING INFORMATION

Poles, Wires	Description	Device Style	Color	Plug Cat. No.	Non-NEMA Config.	Connector Cat. No.	Non-NEMA Config.
<b>STANDARD CABLE CLAMP</b>							
2-Pole, 3-Wire	50 A, 250 V DC/600 V AC	Std Locking	Black-White	3763C		3762C	
	50 A, 125 V, California-Style	CS Locking	Black-White	CS6361C		CS6360C	
	50 A, 250 V, California-Style	CS Locking	Black-White	CS8265C		CS8264C	
	50 A, 480 V, California-Style	CS Locking	Black-White	CS8465C		CS8464C	
	50 A, 125 V, Corrosion-Resistant	CR Std Locking	Yellow-White	6361CR		6360CR	
3-Pole, 4-Wire	50 A, 250 V DC/600 V AC	Std Locking	Black-White	3765C		3764C	
	50 A, 250 V DC/600 V AC	Std Locking	Black-White	7765C		7764C	
	50 A, 125/250 V, California-Style	CS Locking	Black-White	CS6365C		CS6364C	
	50 A, 250 V 3Ø, California-Style	CS Locking	Black-White	CS8365C		CS8364C	
	50 A, 480 V 3Ø, California-Style	CS Locking	Black-White	CS8165C		CS8164C	
	50 A, 125/250 V, Corrosion-Resistant	CR Std Locking	Yellow-White	6365CR		6364CR	
<b>SCREWLESS CABLE CLAMP</b>							
3-Pole, 4-Wire	50 A, 125/250 V, California-Style	CS Locking, Screwless Cable Clamp	Black-White	CS6365W		CS6364W	

## Receptacles

2-POLE, 3-WIRE GROUNDING & 3-POLE, 4-WIRE GROUNDING



### SPECIFICATIONS

Electrical	
Dielectric Voltage	Withstands 2000 V minimum per UL 498
Maximum Working Voltage	125 V or 250 V or 480 V or 250 V DC/600 V AC as rated on device
Current Interrupting	Certified for current interrupting at full rated current
Temperature Rise	Maximum 30°C temperature rise at full-rated current after 150 cycles of overload at 150% rated DC current
Mechanical	
Terminal Identification	X, W, Y, Z and Green for ground
Terminal Accommodation	#10min to #6max AWG Solid or Stranded Wire (Stranded wire for ground only.)
Product Identification	Ratings and Catalogue No. molded into face
Environmental	
Flammability	Rated UL 94 V-0
Operating Temperature	-40°C to 75°C (-40°F to 167°F)
Certifications & Code Compliance	The receptacles listed herein comply with UL 498 Listing (UL file # E13399), CSA C22.2 No. 42 and meet Mexican NOM standards. They are RoHS compliant. Leviton 50 Amp locking receptacles are suitable for use in accordance with federal, state, county, municipal and local codes.



Ratings and catalog numbers molded into face module makes for fast, easy identification or replacement

Single piece, Stainless Steel mounting strap for continuous conductivity and secure ground path



Reinforced nylon face, body, and back for heat and impact resistance

Metal shroud makes for reliable and durable connection to shrouded plugs

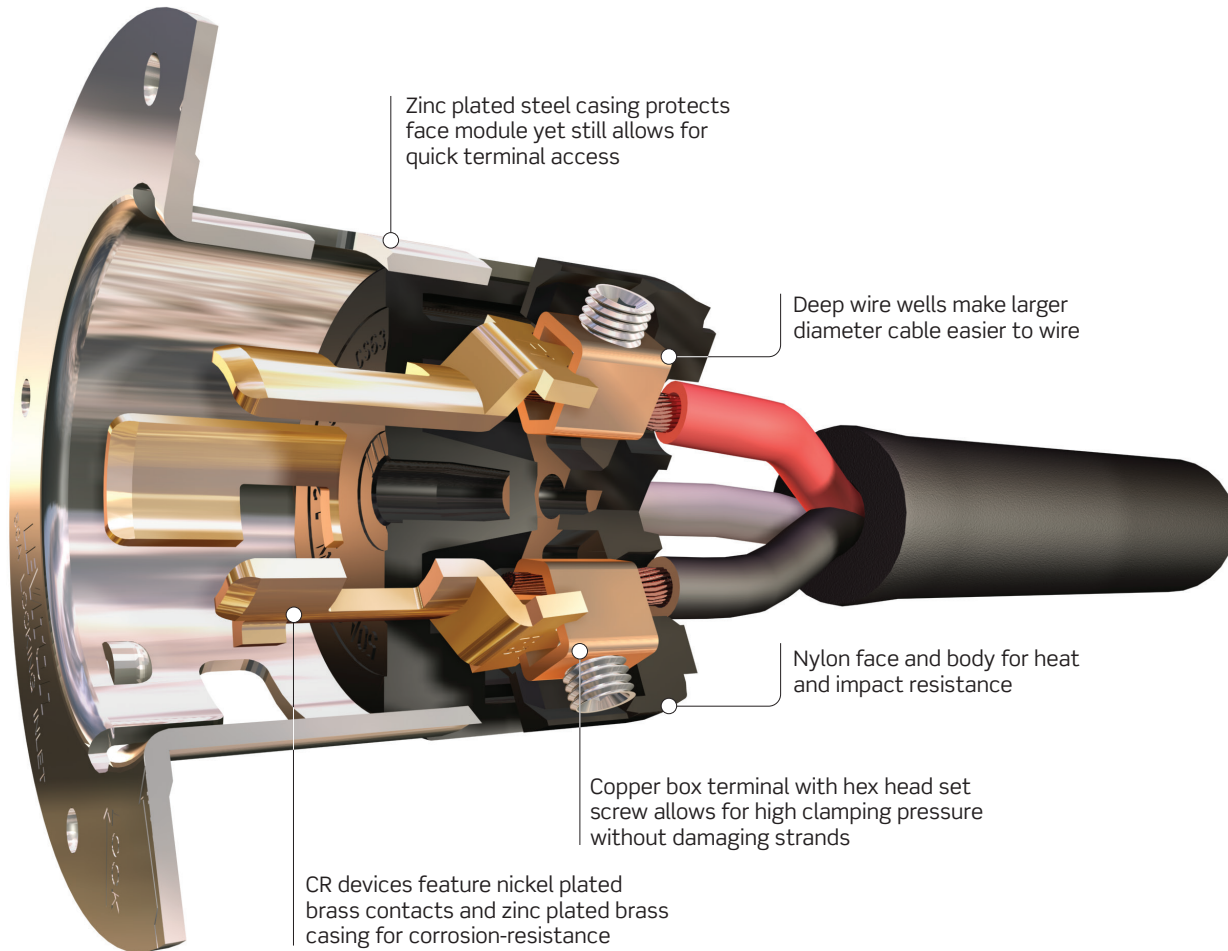
**ORDERING INFORMATION**

Poles, Wires	Description	Device Style	Color	Cat. No.	Non-NEMA Config.
2-Pole, 3-Wire	50 A, 250 V DC/600 V AC Receptacle	Std Locking	Black	3771	
	50 A, 125 V, California-Style Receptacle	CS Locking	Black	CS6370	
	50 A, 250 V, California-Style Receptacle	CS Locking	Black	CS8269	
	50 A, 480 V, California-Style Receptacle	CS Locking	Black	CS8469	
	50 A, 125 V, Corrosion Resistant Receptacle	CR Std Locking	Black	6370CR	
3-Pole, 4-Wire	50 A, 250 V DC/600 V AC Receptacle	Std Locking	Black	3769	
	50 A, 250 V DC/600 V AC Receptacle	Std Locking	Black	7379	
	50 A, 125/250 V, California-Style Receptacle	CS Locking	Black	CS6369	
	50 A, 250 V 3Ø, California-Style Receptacle	CS Locking	Black	CS8369	
	50 A, 480 V 3Ø, California-Style Receptacle	CS Locking	Black	CS8169	
	50 A, 125/250 V, Corrosion Resistant Receptacle	CR Std Locking	Black	6369CR	



## Flanged Inlet

2-POLE, 3-WIRE GROUNDING & 3-POLE, 4-WIRE GROUNDING



### SPECIFICATIONS

Electrical	
Dielectric Voltage	Withstands 2000 V minimum per UL 498
Maximum Working Voltage	125 V or 250 V or 480 V or 250 V DC/600 V AC as rated on device
Current Interrupting	Certified for current interrupting at full rated current
Temperature Rise	Maximum 30°C temperature rise at full-rated current after 150 cycles of overload at 150% rated DC current
Mechanical	
Terminal Identification	X, W, Y, Z and Green for ground
Terminal Accommodation	#10min to #4max AWG Solid or Stranded Wire
Product Identification	Ratings and Catalogue No. molded into face
Environmental	
Flammability	Rated UL 94 V-2
Operating Temperature	-40°C to 75°C (-40°F to 167°F)
Certifications & Code Compliance	The flanged inlets listed herein comply with UL 498 Listing (UL file # E13399), CSA C22.2 No. 42 and meet Mexican NOM standards. They are RoHS compliant. Leviton 50 Amp locking flanged inlets are suitable for use in accordance with federal, state, county, municipal and local codes.



**CS8375**

Zinc plated steel casing resists impact, abuse and distortion

Nylon face and body for heat and impact resistance

Single piece assembly for fast, easy wiring and maintenance



**6377CR**

Molded-in strip gauge makes for fast, accurate wire stripping

**ORDERING INFORMATION**

Poles, Wires	Description	Device Style	Color	Cat. No.	Non-NEMA Config.
2-Pole, 3-Wire	50 A, 250 V DC/600V AC Flanged Inlet	Std Locking	Silver	3777	
	50 A, 125 V, California-Style Flanged Inlet	CS Locking	Silver	CS6377	
	50 A, 250 V, California-Style Flanged Inlet	CS Locking	Silver	CS8275	
	50 A, 480 V, California-Style Flanged Inlet	CS Locking	Silver	CS8475	
	50 A, 125 V, Corrosion Resistant Flanged Inlet	CR Std Locking	Silver	6377CR	
3-Pole, 4-Wire	50 A, 250 V DC/600 V AC Flanged Inlet	Std Locking	Silver	3775	
	50 A, 250 V DC/600 V AC Flanged Inlet	Std Locking	Silver	7958	
	50 A, 125/250 V, California-Style Flanged Inlet	CS Locking	Silver	CS6375	
	50 A, 250 V 3Ø, California-Style Flanged Inlet	CS Locking	Silver	CS8375	
	50 A, 480 V 3Ø, California-Style Flanged Inlet	CS Locking	Silver	CS8175	
	50 A, 125/250 V, Corrosion Resistant Flanged Inlet	CR Std Locking	Silver	6375CR	

## Flanged Inlet Accessories

### FS/FD Mount Weatherproof Covers

- Provides ultimate impact resistance in abusive environments
- Vertical self-closing lid constructed of glass-filled thermoplastic
- Includes provision for 2 padlocks for OSHA compliant lockout/tagout
- NEMA Type 3R and IP64 ratings with cover closed ensure protection for indoor and outdoor use
- Covers may be held open with a Hex Key or pin to ease installation
- Molded-in label area allows for circuit or rating identification



**WP3**  
Fits 50 A non-NEMA flanged inlets & outlets for applications where mounting of the device is behind the panel



**WP4**  
Fits 50 A non-NEMA flanged inlets & outlets for applications where mounting of the device is in front of the panel

### ORDERING INFORMATION

Description	Color	Material	Diameter Opening	Cat No
For 50 Amp flanged inlets mounted from behind the panel with 2.6" panel cutout	Yellow	Thermoplastic	3"	WP3-YL
	Gray			WP3-G
	Black			WP3-EB
For 50 Amp flanged inlets mounted from in front of the panel with 2.6" panel cutout	Yellow	Thermoplastic	2.6"	WP4-YL
	Gray			WP4-G
	Black			WP4-EB

## Receptacle Accessories

### Flip Lid Covers

- General purpose and environments requiring corrosion-resistance
- Snap-back lids ensure receptacle is covered when not in-use
- IP64/NEMA Type 3R



### ORDERING INFORMATION

Description	Color	Material	Diameter Opening	Cat No
1-Gang device cover for 50A receptacles, Corrosion-Resistant	Yellow	Thermoplastic	2.15"	7788-CR
	Gray			7788-CRG
1-Gang device cover for 50A receptacles, General Purpose	Gray	Aluminum		7770



## Plug & Connector Accessories

### Boots

- For use only with Leviton non-NEMA 50 Amp locking plugs and connectors; Not suitable for use with other 50 Amp devices or boots
- Reduces the amount of dirt, debris, and water entering a connected plug and connector
- UV resistant Santoprene thermoplastic elastomer construction extends life and reduces cracking
- IP55 rating applies when Leviton 50 Amp plug with boot is fully connected to a Leviton 50 Amp connector with boot

### Plug Boots

7715CR

7715CRY

### Connector Boots

7717CR

7717CRY



### Connection Grips

- Protects the plug or connector cable
- Easily installs on a standard external cable clamp
- Mesh Type: Galvanized Steel, closed, single weave mesh



### ORDERING INFORMATION

Cable Diameter Inches (cm)	Mesh Length Inches (cm)	Grip Cat. No.
0.53 - 0.73 (1.35 - 1.85)	7 (17.8)	L8003-100
0.70 - 0.85 (1.78 - 2.16)	8.0 (20.3)	L8004-100
0.82 - 1.00 (2.08 - 2.54)	8.5 (21.6)	L8005-100
0.96 - 1.25 (2.44 - 3.18)	12 (30.5)	L8006-100





**50 Amp** Non-NEMA Locking Devices  
 BLACK & WHITE® • INDUSTRIAL GRADE



Visit our Website at:  
[leviton.com/industrial](http://leviton.com/industrial)  
 email: [industrial@leviton.com](mailto:industrial@leviton.com)

**Leviton Manufacturing Co., Inc.**  
 201 N Service Rd, Melville, NY 11747  
 Telephone: 1-800-323-8920 • FAX: 1-800-832-9538  
 Tech Line: 1-800-824-3005 (M-F 8AM-10PM; Sat 9AM-7PM; Sun 9AM-5PM)  
 © 2024 Leviton Manufacturing Co., Inc. All rights reserved.