

## 2425

### Brand Features

Leviton's industry leading locking devices, such as our Black & White line of industrial grade plugs and connectors and our V-0-Max line of industrial grade flush receptacles, offer superior performance, long lasting reliability and other features that are backed by a lifetime warranty.

### Item Description

20 Amp, 250 Volt 3-Phase, NEMA L15-20P, 3P, 4W, Flanged Inlet Locking Receptacle, Industrial Grade, Grounding - WHITE

### Technical Information

#### AC Horsepower Ratings

**At Rated Voltage:** 3 HP

#### Electrical Specifications

**Grounding:** Grounding

**Amperage:** 20 A

**Voltage:** 250 VAC

**Pole:** 3

**Wire:** 4

**Dielectric Voltage:** Withstands 2000V per UL498

**Current Limiting:** Full Rated Current

**Temperature Rise:** Max 30C after 250 cycles OL at 200 percent rated current

**Phase:** 3-Phase

#### Environmental Specifications

**Flammability:** Rated V-2 per UL 94

**Operating Temperature:** -40°C to 60°C

**Environment:** Dry

#### Material Specifications

**Face Material:** Nylon

**Body Material:** Nylon

**Line Contacts:** Solid Brass

**Terminal Screws:** Brass 10-32

**Grounding Screw:** Brass 8-32

**Strap Material:** Thermoplastic Nylon

**Color:** White

#### Mechanical Specifications

**Terminal ID:** Brass-Hot, Green-Ground, Silver-Neutral

**Terminal Accom.:** 18-10 AWG

**Product ID:** Ratings and NEMA I.D. permanently marked on device

**Termination:** Back

#### Product Features

**NEMA:** L15-20P

**Color:** White

**Device Type:** Locking Flanged Inlet

**Brand:** Black and White

#### Standards and Certifications

**NEMA:** WD-6

**ANSI:** C-73

**UL498:** File E13393

**UL Fed Spec WC-596:** File E13393

**CSA C22.2 No. 42:** File LR-406

**NOM:** 057

**Warranty:** Lifetime Warranty



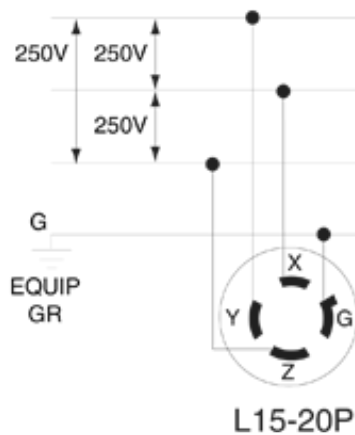
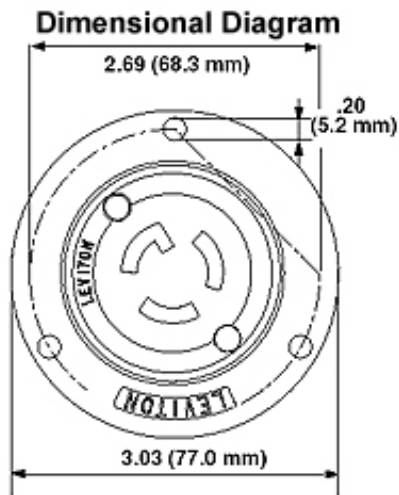
**Color:** White

**UPC Code:** 07847780627

**Country Of Origin:** United States

**NEMA:**  
L15-20P





**SPECIFICATION SUBMITTAL**

JOB NAME: <input type="text"/>	CATALOG NUMBERS: <input type="text"/>	
JOB NUMBER: <input type="text"/>	<input type="text"/>	<input type="text"/>

**Leviton Manufacturing Co., Inc.**

201 North Service Road, Melville, NY 11747

Teléfono: +1-800-323-8920 · FAX: +1-800-832-9538 · Tech Line (8:30AM-7:30PM E.S.T. Monday-Friday): +1-800-824-3005

**Leviton Manufacturing of Canada, Ltd.**

165 Hymus Boulevard, Pointe Claire, Quebec H9R 1E9 · Telephone: +1-800-469-7890 ·

FAX: +1-800-824-3005 · [www.leviton.com/canada](http://www.leviton.com/canada)

**Leviton S. de R.L. de C.V.**

Lago Tana 43, Mexico DF, Mexico CP 11290 · Tel.: (+52)55-5082-1040 · FAX: (+52)5386-

1797 · [www.leviton.com.mx](http://www.leviton.com.mx)

Visit our Website at: [www.leviton.com](http://www.leviton.com)

© 2018 Leviton Manufacturing Co., Inc. Todos los derechos reservados. Subject to change without notice.

**Leviton has a global presence.**

If you would like to know where your local Leviton office is located please go to:

[www.leviton.com/international/contacts/](http://www.leviton.com/international/contacts/)

