



**Color:** White

**UPC Code:** 07847780642

**Country Of Origin:** United States

**NEMA:**  
L18-30P



## 2755

### Brand Features

Leviton's industry leading locking devices, such as our Black & White line of industrial grade plugs and connectors and our V-0-Max line of industrial grade flush receptacles, offer superior performance, long lasting reliability and other features that are backed by a lifetime warranty.

### Item Description

30 Amp, 120/208 Volt 3-Phase Y, NEMA L18-30P, 4P, 4W, Flanged Inlet Locking Receptacle, Industrial Grade, Non-Grounding - WHITE

### Technical Information

#### AC Horsepower Ratings

**At Rated Voltage:** 3 HP

#### Electrical Specifications

**Amperage:** 30 A

**Current Limiting:** Full Rated Current

**Dielectric Voltage:** Withstands 2000V per UL498

**Grounding:** Non-Grounding

**Pole:** 4

**Temperature Rise:** Max 30C after 250 cycles OL at 200 percent rated current

**Voltage:** 120/208 VAC

**Wire:** 4

**Phase:** 3-Phase WYE

#### Environmental Specifications

**Environment:** Dry

**Flammability:** Rated V-2 per UL 94

**Operating Temperature:** -40°C to 60°C

#### Material Specifications

**Body Material:** Nylon

**Color:** White

**Face Material:** Nylon

**Grounding Screw:** Brass 8-32

**Line Contacts:** Solid Brass

**Strap Material:** Thermoplastic Nylon

**Terminal Screws:** Brass 10-32

#### Mechanical Specifications

**Product ID:** Ratings and NEMA I.D. permanently marked on device

**Terminal Accom.:** 18-10 AWG

**Terminal ID:** Brass-Hot, Green-Ground, Silver-Neutral

**Termination:** Back

#### Product Features

**Brand:** Black and White

**Color:** White

**Device Type:** Locking Flanged Inlet

**NEMA:** L18-30P

#### Standards and Certifications

**ANSI:** C-73

**CSA C22.2 No. 42:** File LR-406

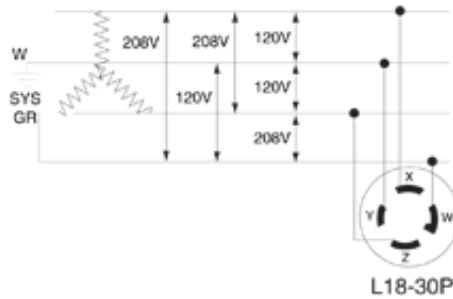
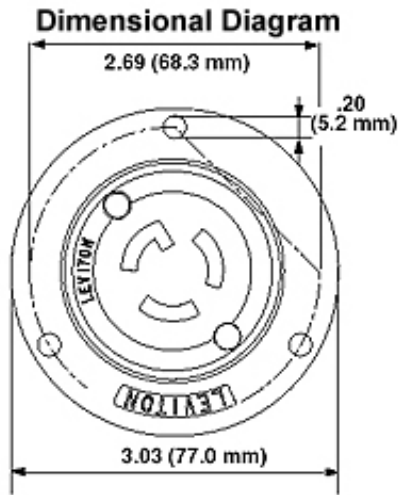
**NEMA:** WD-6

**NOM:** 057

**UL498:** File E13393

**UL Fed Spec WC-596:** File E13393

**Warranty:** Lifetime Warranty



**SPECIFICATION SUBMITTAL**

JOB NAME:		CATALOG NUMBERS:	
<input type="text"/>		<input type="text"/>	
JOB NUMBER:			
<input type="text"/>		<input type="text"/>	

**Leviton Manufacturing Co., Inc.**

201 North Service Road, Melville, NY 11747

Teléfono: +1-800-323-8920 · FAX: +1-800-832-9538 · Tech Line (8:30AM-7:30PM E.S.T. Monday-Friday): +1-800-824-3005

**Leviton Manufacturing of Canada, Ltd.**

165 Hymus Boulevard, Pointe Claire, Quebec H9R 1E9 · Telephone: +1-800-469-7890 ·

FAX: +1-800-824-3005 · [www.leviton.com/canada](http://www.leviton.com/canada)

**Leviton S. de R.L. de C.V.**

Lago Tana 43, Mexico DF, Mexico CP 11290 · Tel.: (+52)55-5082-1040 · FAX: (+52)5386-

1797 · [www.leviton.com.mx](http://www.leviton.com.mx)

Visit our Website at: [www.leviton.com](http://www.leviton.com)

© 2018 Leviton Manufacturing Co., Inc. Todos los derechos reservados. Subject to change without notice.

**Leviton has a global presence.**

If you would like to know where your local Leviton office is located please go to:

[www.leviton.com/international/contacts/](http://www.leviton.com/international/contacts/)

