



Color: Black-White

UPC Code: 07847780858

Country Of Origin: United States

NEMA:
L22-30P



2821

Brand Features

Leviton's industry leading locking devices, such as our Black & White line of industrial grade plugs and connectors and receptacles, offer superior performance, long lasting reliability and other features that are backed by a lifetime warranty.

Item Description

30 Amp, 277/480 Volt 3-Phase Y, NEMA L22-30P, 4P, 5W, Locking Plug, Industrial Grade, Grounding - BLACK-WHITE

Technical Information

AC Horsepower Ratings

At Rated Voltage: 10 HP

Electrical Specifications

Amperage: 30 A

Current Interrupting: Certified for current interrupting at full rated current

Dielectric Voltage: Withstands 2000V per UL498

Grounding: Grounding

Pole: 4

Temperature Rise: Max 30C after 250 cycles OL at 200 percent rated current

Voltage: 277/480 VAC

Wire: 5

Phase: 3-Phase WYE

Environmental Specifications

Environment: Dry

Flammability: Rated HB or better UL94

Operating Temperature: -40°C to 60°C

Material Specifications

Assembly Screws: Steel, Zinc Plated

Back Cover: Thermoplastic

Blades/Contacts: Solid Brass

Body Material: Impact Modified Nylon

Clamp Insert: Nylon

Color: Black-White

Cord-Clamp: Nylon

Terminal Screws: Brass

Wire Module: Nylon

Mechanical Specifications

Cord Range: .595 - 1.150

Product ID: Ratings are permanently marked on device

Terminal Accom.: 18-10 AWG

Terminal ID: Brass-Hot, Green-Ground, Silver-Neutral

Wire Gauge: 14-8 AWG

Product Features

Brand: Black and White

Color: Black-White

Device Type: Locking Plug

NEMA: L22-30P

Standards and Certifications

ANSI: C-73

CSA C22.2 No. 42: File LR-406

NEMA: WD-6

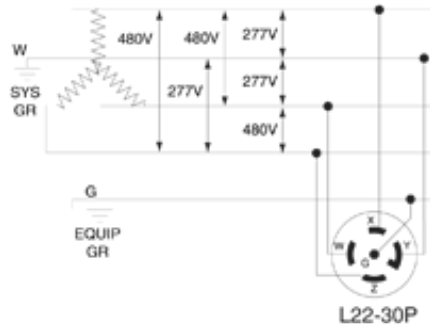
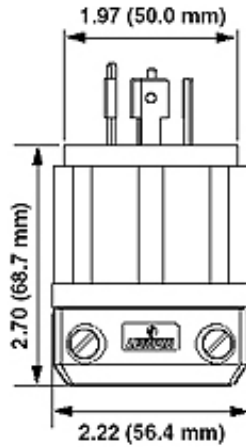
NOM: 057

UL498: File E13393

UL Fed Spec WC-596: File E13393

Warranty: Lifetime Warranty

Dimensional Diagram



SPECIFICATION SUBMITTAL

JOB NAME:	CATALOG NUMBERS:	
<input type="text"/>	<input type="text"/>	<input type="text"/>
JOB NUMBER:	<input type="text"/>	<input type="text"/>

Leviton Manufacturing Co., Inc.

201 North Service Road, Melville, NY 11747

Teléfono: +1-800-323-8920 · FAX: +1-800-832-9538 · Tech Line (8:30AM-7:30PM E.S.T. Monday-Friday): +1-800-824-3005

Leviton Manufacturing of Canada, Ltd.

165 Hymus Boulevard, Pointe Claire, Quebec H9R 1E9 · Telephone: +1-800-469-7890 ·

FAX: +1-800-824-3005 · www.leviton.com/canada

Leviton S. de R.L. de C.V.

Lago Tana 43, Mexico DF, Mexico CP 11290 · Tel.: (+52)55-5082-1040 · FAX: (+52)5386-

1797 · www.leviton.com.mx

Visit our Website at: www.leviton.com

© 2018 Leviton Manufacturing Co., Inc. Todos los derechos reservados. Subject to change without notice.

Leviton has a global presence.

If you would like to know where your local Leviton office is located please go to:

www.leviton.com/international/contacts/

