



Color: Black

UPC Code: 07847704611

Country Of Origin: Mexico

NEMA:
L19-30R



2760

Brand Features

Leviton's Industrial Grade Locking Devices are built to provide unparalleled quality and superior performance in the most severe industrial settings. Leviton combines the best materials available with superior production standards to produce a broad selection of Locking Devices of unmatched flexibility and dependability.

Item Description

30 Amp, 277/480 Volt 3-Phase Y, NEMA L19-30R, 4P, 4W, Flush Mtg Locking Receptacle, Industrial Grade, Non-Grounding, V-0-MAX - BLACK

Technical Information

AC Horsepower Ratings

At Rated Voltage: 10 HP

Electrical Specifications

Amperage: 30 A

Current Limiting: Full Rated Current

Dielectric Voltage: Withstands 2000V per UL498

Grounding: Non-Grounding

Pole: 4

Temperature Rise: Max 30C after 250 cycles OL at 200 percent rated current

Voltage: 277/480 VAC

Wire: 4

Phase: 3-Phase WYE

Environmental Specifications

Environment: Corrosive

Flammability: Rated V-0 per UL 94

Operating Temperature: -40°C to 60°C

Material Specifications

Base Material: Valox

Body Material: Nylon

Color: Black

Cover Material: Valox 357

Face Material: Ultramid

Ground Contacts: Brass

Grounding Screw: Chromated Brass

Line Contacts: Brass

Strap Material: Nickel-Plated Brass

Terminal Clamps: Nickel-Plated Brass

Terminal Screws: Chromated Brass

Mechanical Specifications

Product ID: Ratings and NEMA I.D. permanently marked on device

Terminal Accom.: 14-8 AWG

Terminal ID: Marked on Device

Termination: Back & Side

Product Features

Base Material: Valox

Brand: V-0-Max

Color: Black

Device Type: Locking Receptacle

Face Material: Ultramid

NEMA: L19-30R

Standards and Certifications: UL

Warranty: Lifetime Limited

Standards and Certifications

ANSI: C-73

CSA: C22.2 No. 42

NEMA: WD-1 & WD-6

NOM: 057

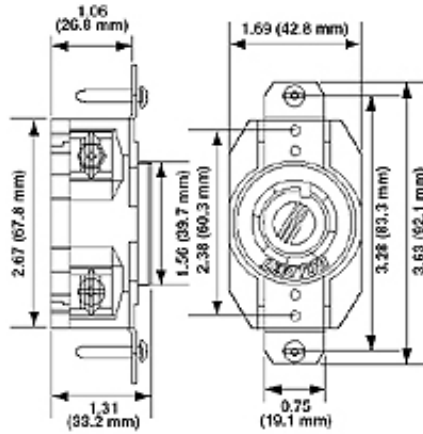
UL: 498

UL Fed Spec: W-C-596

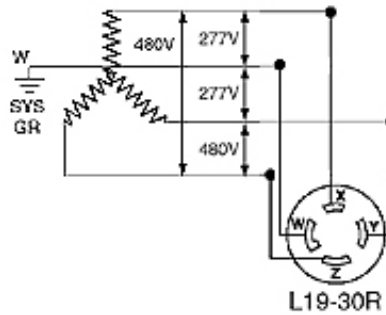
Warranty

Warranty: Lifetime Limited

Dimensional Diagram



Wiring Diagram



SPECIFICATION SUBMITTAL

JOB NAME:	CATALOG NUMBERS:	
<input type="text"/>	<input type="text"/>	<input type="text"/>
JOB NUMBER:	<input type="text"/>	<input type="text"/>

Leviton Manufacturing Co., Inc.

201 North Service Road, Melville, NY 11747

Teléfono: +1-800-323-8920 · FAX: +1-800-832-9538 · Tech Line (8:30AM-7:30PM E.S.T. Monday-Friday): +1-800-824-3005

Leviton Manufacturing of Canada, Ltd.

165 Hymus Boulevard, Pointe Claire, Quebec H9R 1E9 · Telephone: +1-800-469-7890 ·

FAX: +1-800-824-3005 · www.leviton.com/canada

Leviton S. de R.L. de C.V.

Lago Tana 43, Mexico DF, Mexico CP 11290 · Tel.: (+52)55-5082-1040 · FAX: (+52)5386-

1797 · www.leviton.com.mx

Visit our Website at: www.leviton.com

© 2018 Leviton Manufacturing Co., Inc. Todos los derechos reservados. Subject to change without notice.

Leviton has a global presence.

If you would like to know where your local Leviton office is located please go to:

www.leviton.com/international/contacts/

