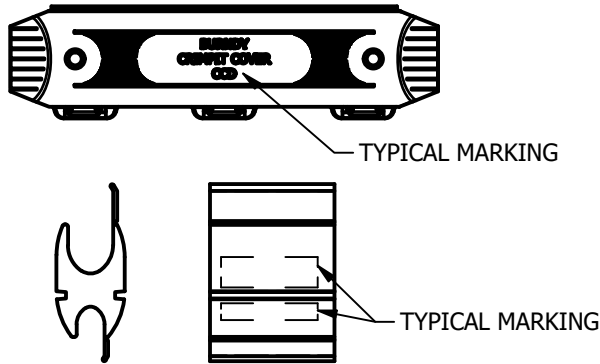


APPLICATIONS

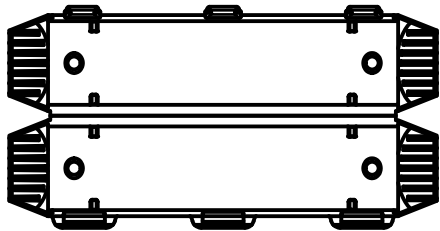
TO BE USED IN LOW VOLTAGE APPLICATIONS (<600V) ON ALREADY INSTALLED "YHO" AND "YHD" CONNECTORS AND COVERED WIRE.

THESE INSTRUCTIONS SERVE AS A GUIDE. FOLLOW ALL UTILITY SAFETY METHODS AND PRACTICES, ESPECIALLY IF WORKING ON LIVE LINES.



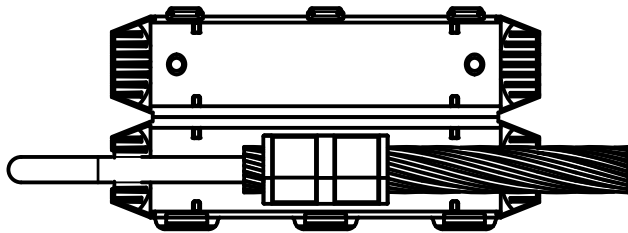
STEP 1 FIGURE 1

- 1 VERIFY COVER ACCOMMODATES INSTALLED CONNECTOR.
"CCO" COVER → "YHO" CONNECTOR SERIES.
"CCD" COVER → "YHD" CONNECTOR SERIES.



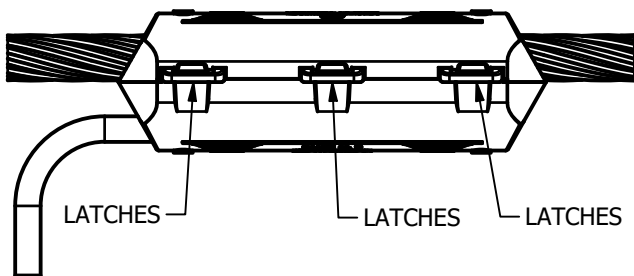
STEP 2 FIGURE 2

- 1 COMPLETELY OPEN COVER.



STEP 3 FIGURE 3

- 1 PLACE COVER OVER CONNECTOR.
- 2 VERIFY THE CONNECTOR IS CENTERED IN THE COVER.
- 3 VERIFY THE WIRE IS ALSO LOCATED IN THE COVER.



STEP 4 FIGURE 4

- 1 CLOSE COVER.
- 2 VERIFY ALL THREE LATCHES ENGAGE.
THREE AUDIBLE CLICKS SHOULD BE HEARD.

INSTALLATION NOTE

ALTHOUGH NOT REQUIRED FOR PROPER OPERATION, ELECTRICAL TAPE CAN BE USED TO WRAP THE COVER. TAKE CARE NOT TO COVER THE WATER VENT HOLES.