

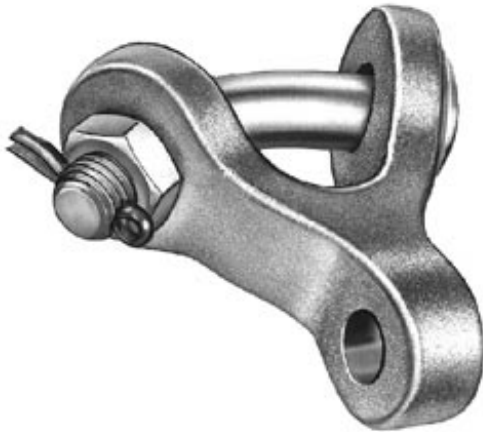


[Catalog Home](#)

Product Datasheet

ANDERSON FARGO

YCS07 -- Y-Clevis Eye



Y-Clevis Eye, Ductile Iron, 0.750" Curved Bolt, Eye: 0.875" with 0.688" Hole, UTS 30,000 lb

Product Specifications

Hardware Family



**Clevis Eye &
Y-Clevis Eye**
Coupling Fittings

Clevis Eye Fittings



YCS Series
Y-Clevis Eye
Coupling Fittings

PDF Catalog Page

[Click HERE to view the web page.](#)

Ultimate Strength

30,000 lb (13,608 kg)

Coupling Length

2.813 in (71.44 mm)

Eye Width

0.875 in (22.23 mm)

Eye Hole Diameter

0.688 in (17.48 mm)

Dimension B

1.375 in (34.93 mm)

Dimension R

0.750 in (19.05 mm)

Dimension W

0.875 in (22.23 mm)

Dimension PD

0.750 in (19.05 mm)

Material	Ductile Iron
Cotter Pin Material	Stainless Steel
Clevis Pin Material	Galvanized Steel
Material Type	Non-Standard
UPC Code	09635934457
Standard Package	25
Standard Package Unit	Each
Min Order Qty	1
Weight / Ea.	1.862 lbs

Compressed Product Number
YCS07

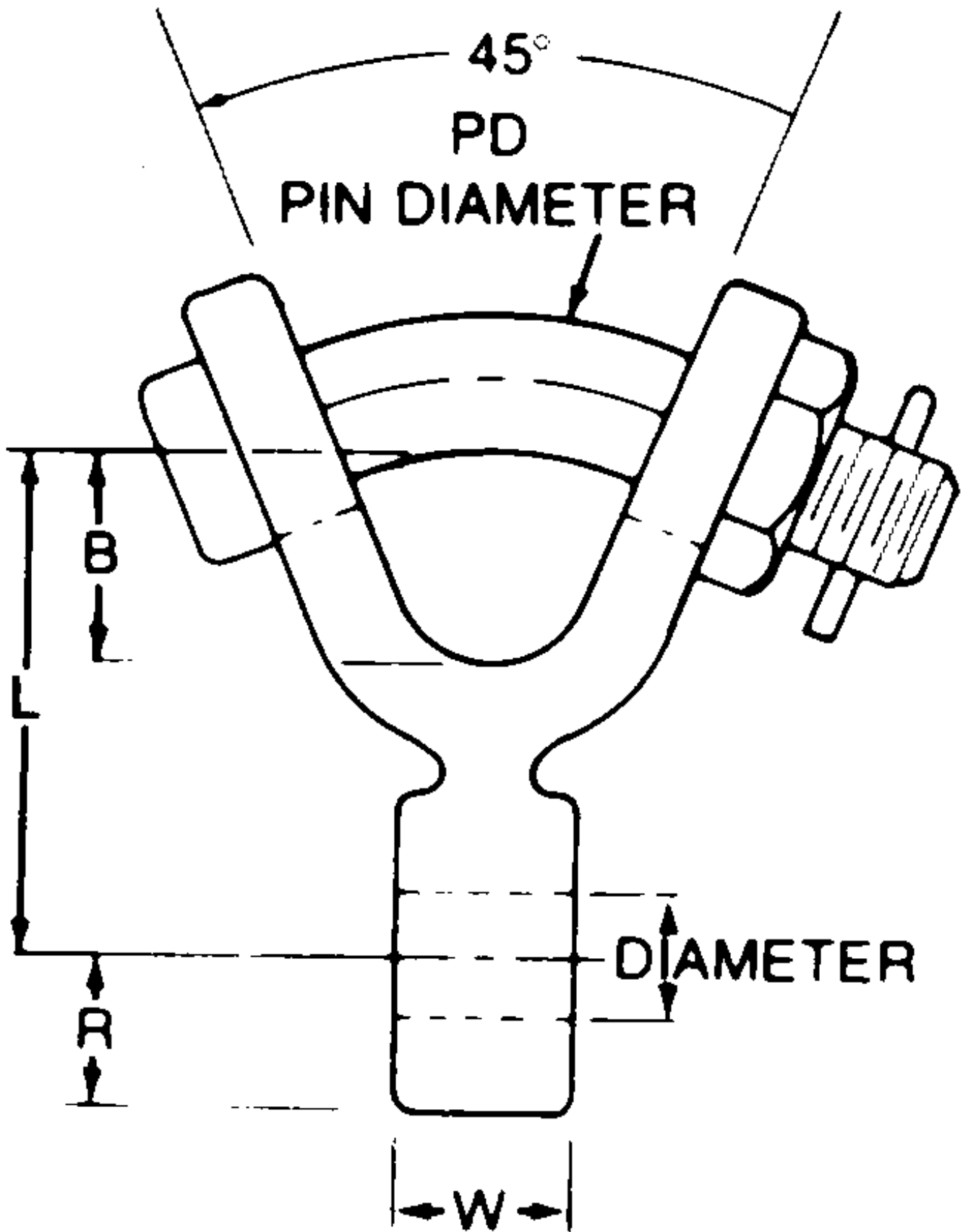


FIGURE 1 YCS



[Warranty Info](#) | [Trademarks](#) | [Terms of Use](#)

All contents Copyright © 2007 Hubbell Power Systems, Inc. All rights reserved.

NOTE: Because Hubbell has a policy of continuous product improvement, we reserve the right to change design and specifications without notice.