



UPC Code: 07847782348

Country Of Origin: Mexico

NEMA:
5-30R



5371

Brand Features

Leviton's line of Extra Heavy-Duty Industrial Grade receptacles are designed and manufactured to withstand the harsh conditions typically associated with industrial environments. Available in a wide variety of configurations, including isolated ground, tamper-resistant, hospital grade, etc., these Industrial Grade devices are the electrical contractor's choice for use in factories, schools, hospitals and commercial office buildings.

Item Description

30 Amp, 125 Volt, NEMA 5-30R, 2P, 3W, Flush Mtg Receptacle, Straight Blade, Industrial Grade, Grounding, , Side Wired, Steel Strap, - Black

Technical Information

AC Horsepower Ratings

At Rated Voltage: 2 HP

Electrical Specifications

Grounding: Grounding

Amperage: 30 A

Voltage: 125 VAC

Pole: 2

Wire: 3

Dielectric Voltage: Withstands 2000V per UL498

Current Limiting: Full Rated Current

Temperature Rise: Max 30C after 50 cycles OL at 150 percent rated current

Environmental Specifications

Flammability: Rated V-2 per UL 94

Operating Temperature: -40°C to 60°C

Material Specifications

Face Material: Nylon

Body Material: Nylon

Line Contacts: Brass Double-Wipe

Strap Material: Galvanized Steel

Color: Black

Mechanical Specifications

Terminal ID: Brass-Hot, Green-Ground, Silver-Neutral

Terminal Accom.: Up to 4 AWG

Product ID: Ratings are permanently marked on device

Product Features

NEMA: 5-30R

Color: Black

Standards and Certifications

NEMA: WD-6

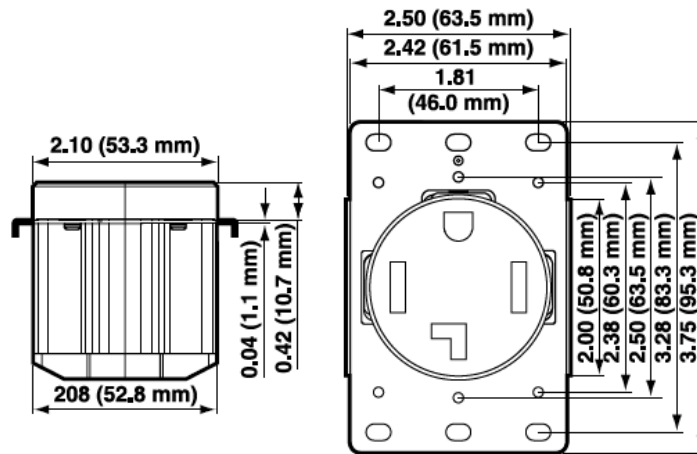
ANSI: C-73

UL498: File E13399

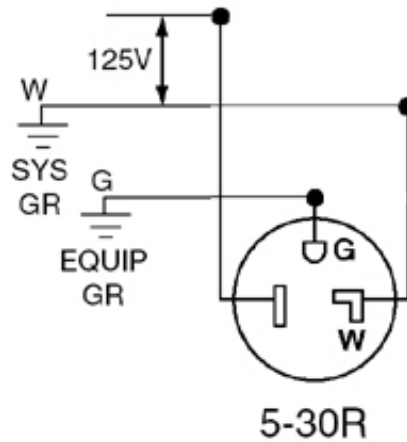
CSA C22.2 No. 42: File 152105

NOM: 057

Warranty: 10 Year Limited



Wiring Diagram



SPECIFICATION SUBMITTAL

JOB NAME:	CATALOG NUMBERS:	
<input type="text"/>	<input type="text"/>	<input type="text"/>
JOB NUMBER:	<input type="text"/>	<input type="text"/>

Leviton Manufacturing Co., Inc.

201 North Service Road, Melville, NY 11747

Teléfono: +1-800-323-8920 · FAX: +1-800-832-9538 · Tech Line (8:30AM-7:30PM E.S.T. Monday-Friday): +1-800-824-3005

Leviton Manufacturing of Canada, Ltd.

165 Hymus Boulevard, Pointe Claire, Quebec H9R 1E9 · Telephone: +1-800-469-7890 ·

FAX: +1-800-824-3005 · www.leviton.com/canada

Leviton S. de R.L. de C.V.

Lago Tana 43, Mexico DF, Mexico CP 11290 · Tel.: (+52)55-5082-1040 · FAX: (+52)5386-

1797 · www.leviton.com.mx

Visit our Website at: www.leviton.com

© 2018 Leviton Manufacturing Co., Inc. Todos los derechos reservados. Subject to change without notice.

Leviton has a global presence.

If you would like to know where your local Leviton office is located please go to:

www.leviton.com/international/contacts/

