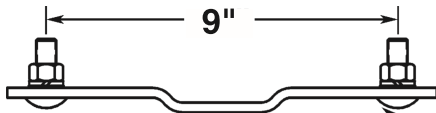


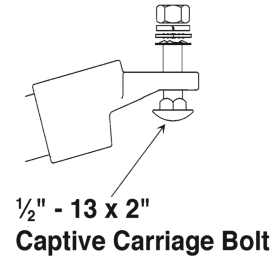
1 (2) Position Single-Phase Cutout / Arrester Bracket (15°)



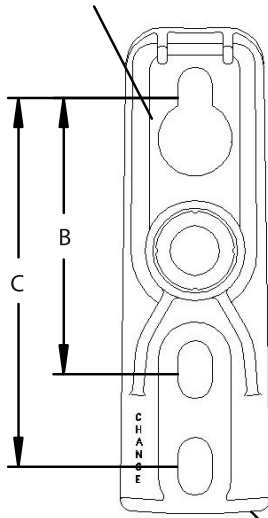
1SBM—AMSB Series includes Spacer Bar

T6531343 - Spacer Bar Assembly only

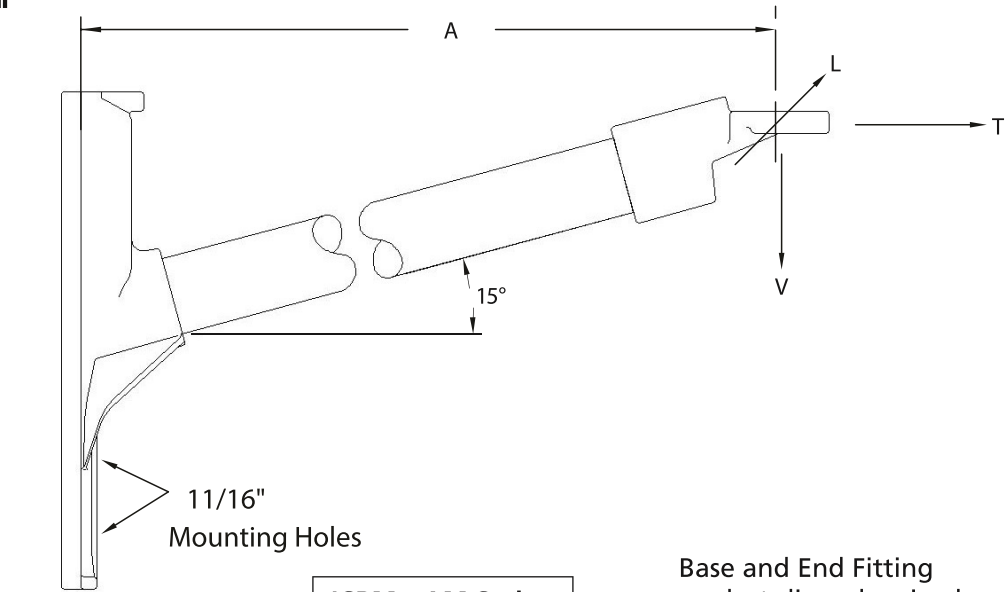
1SBM—AMB Series includes bolt



Keyhole for 5/8" Mounting Bolt



B Dimension is 6"
C Dimension is 8"



Bandable

1SBM—AM Series

Base and End Fitting are hot-dip-galvanized ductile iron.

RUS Accepted.

Catalog Number	Length A	Minimum Ultimate*			Weight (Each)
		Vertical V	Longitudinal L	Transverse T	
Medium Duty 1 1/2" (38 mm) Dia. Fiberglass Rod					
1SBM15AM	15" (38.1 cm)	1500 lbs. (680 kg)	1100 lbs. (499 kg)	1500 lbs. (680 kg)	6.6 lbs. (3.0 kg)
1SBM18AM	18" (45.7 cm)	1200 lbs. (544 kg)	950 lbs. (430 kg)	1500 lbs. (680 kg)	7.0 lbs. (3.2 kg)
1SBM21AM	21" (53.3 cm)	1000 lbs. (454 kg)	800 lbs. (363 kg)	1500 lbs. (680 kg)	7.4 lbs. (3.3 kg)
1SBM24AM	24" (61.0 cm)	900 lbs. (408 kg)	700 lbs. (318 kg)	1500 lbs. (680 kg)	7.8 lbs. (3.5 kg)
1SBM15AMB	15" (38.1 cm)	1500 lbs. (680 kg)	1100 lbs. (499 kg)	1500 lbs. (680 kg)	6.6 lbs. (3.0 kg)
1SBM18AMB	18" (45.7 cm)	1200 lbs. (544 kg)	950 lbs. (430 kg)	1500 lbs. (680 kg)	7.0 lbs. (3.2 kg)
1SBM21AMB	21" (53.3 cm)	1000 lbs. (454 kg)	800 lbs. (363 kg)	1500 lbs. (680 kg)	7.4 lbs. (3.3 kg)
1SBM24AMB	24" (61.0 cm)	900 lbs. (408 kg)	700 lbs. (318 kg)	1500 lbs. (680 kg)	7.8 lbs. (3.5 kg)
1SBM15AMSB	15" (38.1 cm)	1500 lbs. (680 kg)	1100 lbs. (499 kg)	1500 lbs. (680 kg)	6.6 lbs. (3.0 kg)
1SBM18AMSB	18" (45.7 cm)	1200 lbs. (544 kg)	950 lbs. (430 kg)	1500 lbs. (680 kg)	7.0 lbs. (3.2 kg)
1SBM21AMSB	21" (53.3 cm)	1000 lbs. (454 kg)	800 lbs. (363 kg)	1500 lbs. (680 kg)	7.4 lbs. (3.3 kg)
1SBM24AMSB	24" (61.0 cm)	900 lbs. (408 kg)	700 lbs. (318 kg)	1500 lbs. (680 kg)	7.8 lbs. (3.5 kg)

*Recommended maximum working load is 50% of minimum ultimate ratings listed.

Consult factory for additional lengths.

Add "SC" suffix to the end of the catalog number to denote Silicone Coated rod

