

1222-2KL

Item Description

20 Amp, 120/277 Volt, Key Locking Double-Pole AC Quiet Switch, Extra Heavy Duty Spec Grade, Self Grounding, Back & Side Wired



Color: N/A Chrome

UPC Code: 07847732698

Country Of Origin: Mexico

Technical Information

Product Features

Actuator Material: Steel

Amperage: 20 A

Body Material: Thermoplastic

Color: Chrome

Grounding: Self-Grounding

HP Rating: 1HP-120V 2HP-240V-277V

Standards and Certifications: UL/CSA

Strap Material: Steel

Termination: Back or Side Wire

Voltage: 120/277 VAC

Warranty: 10 Year Limited

Function: Double-Pole

Grade: Extra Heavy-Duty Industrial Specification Grade

Device Type: Key Lock Barrel Switch

Electrical Specifications

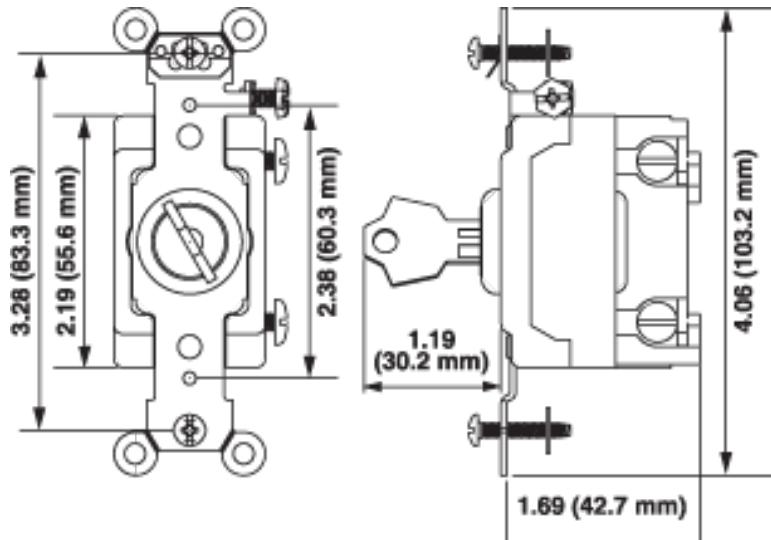
Grounding: Self-Grounding

Voltage: 120/277 VAC

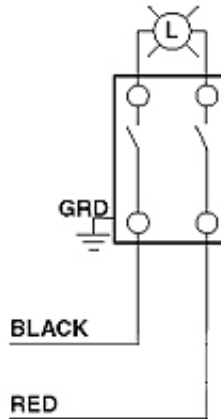
Amperage: 20 A

Mechanical Specifications

Termination: Back or Side Wire



**Wiring Diagram
Double Pole**



SPECIFICATION SUBMITTAL

JOB NAME: <input type="text"/>	CATALOG NUMBERS: <input type="text"/>	<input type="text"/>
JOB NUMBER: <input type="text"/>	<input type="text"/>	<input type="text"/>

Leviton Manufacturing Co., Inc.

201 North Service Road, Melville, NY 11747

Teléfono: +1-800-323-8920 · FAX: +1-800-832-9538 · Tech Line (8:30AM-7:30PM E.S.T. Monday-Friday): +1-800-824-3005

Leviton Manufacturing of Canada, Ltd.

165 Hymus Boulevard, Pointe Claire, Quebec H9R 1E9 · Telephone: +1-800-469-7890 ·

FAX: +1-800-824-3005 · www.leviton.com/canada

Leviton S. de R.L. de C.V.

Lago Tana 43, Mexico DF, Mexico CP 11290 · Tel.: (+52)55-5082-1040 · FAX: (+52)5386-

1797 · www.leviton.com.mx

Visit our Website at: www.leviton.com

© 2018 Leviton Manufacturing Co., Inc. Todos los derechos reservados. Subject to change without notice.

Leviton has a global presence.

If you would like to know where your local Leviton office is located please go to:

www.leviton.com/international/contacts/

