

# 41108-RP5



UPC Code: 07847783988

Country Of Origin: United States

## Brand Features

Leviton's Category 5 Connector is designed for use with all QuickPort compatible products. 8-position, 8-conductor Category 5 QuickPort Snap-In Connectors feature dual-color-coded wiring labels with both T568A and T568B wiring patterns, for dual flexibility in a single connector, as well as fast, accurate 110 termination of station wiring.

## Item Description

Cat 5 QuickPort Connector, Purple

## Technical Information

### Environmental Specifications

**Flammability:** Rated V-0 per UL 94

### Material Specifications

**Contact Surface Material:** 50 microinches thick Gold-Plated

**Contact Sub-Surface Material:** 100 microinches thick Nickel-Plated

**Contact Base Material:** Phosphor Bronze

**Body Material:** High-Impact Fire-Retardant Plastic

**Body Color:** Purple

### Mechanical Specifications

**Position / Conductor:** 8P8C

**Termination Type:** 110 Punchdown

**Cable Type:** 8-Conductor UTP Copper Cat 5, 5e and 6

**Product ID:** Permanently laser-engraved

**Wiring Standard:** T568A T568B

### Performance Specifications

**Module Type:** Category 5

### Product Features

**Module Style:** Connector

**Module Type:** Category 5

**Position / Conductor:** 8P8C

**Cable Type:** 8-Conductor UTP Copper Cat 5, 5e and 6

**Termination Type:** 110 Punchdown

**Contact Surface Material:** 50 microinches thick Gold-Plated

**Contact Sub-Surface Material:** 100 microinches thick Nickel-Plated

**Contact Base Material:** Phosphor Bronze

**Category Rating:** CAT 5

**Body Color:** Purple

**Standards and Certifications:** TIA/EIA cULus Listed

**Warranty:** 1 Year Limited

**Color:** Purple

### Standards and Certifications

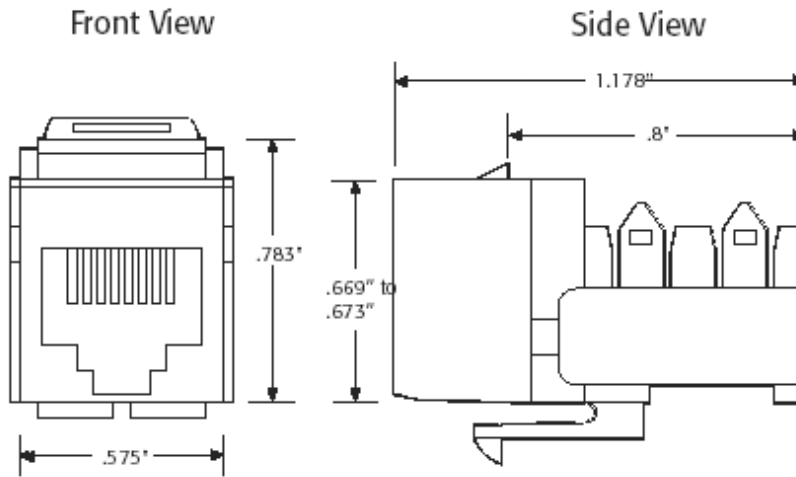
**TIA/EIA:** TIA-568-B

**UL:** Listed

**CSA:** Certified

**NEC:** Article 800 Compliant

**FCC:** Part 68 Compliant



**SPECIFICATION SUBMITTAL**

JOB NAME: <input type="text"/>	CATALOG NUMBERS: <input type="text"/>	
JOB NUMBER: <input type="text"/>	<input type="text"/>	<input type="text"/>

**Leviton Manufacturing Co., Inc.**

201 North Service Road, Melville, NY 11747

Teléfono: +1-800-323-8920 · FAX: +1-800-832-9538 · Tech Line (8:30AM-7:30PM E.S.T. Monday-Friday): +1-800-824-3005

**Leviton Manufacturing of Canada, Ltd.**

165 Hymus Boulevard, Pointe Claire, Quebec H9R 1E9 · Telephone: +1-800-469-7890 ·

FAX: +1-800-824-3005 · [www.leviton.com/canada](http://www.leviton.com/canada)

**Leviton S. de R.L. de C.V.**

Lago Tana 43, Mexico DF, Mexico CP 11290 · Tel.: (+52)55-5082-1040 · FAX: (+52)5386-

1797 · [www.leviton.com.mx](http://www.leviton.com.mx)

Visit our Website at: [www.leviton.com](http://www.leviton.com)

© 2018 Leviton Manufacturing Co., Inc. Todos los derechos reservados. Subject to change without notice.

**Leviton has a global presence.**

If you would like to know where your local Leviton office is located please go to:

[www.leviton.com/international/contacts/](http://www.leviton.com/international/contacts/)

