

BURNDY® BRAND HAND OPERATED HYTOOLS™ Y10D AND Y1022



1. INSULATED LUGS (INSULUGS/VINYLUGS), TN AND TP SERIES

- 1.1 STRIP WIRE IN ACCORDANCE WITH TABLE II,
- 1.2 PLACE THE LUG IN THE PROPER INSULATED CRIMP GROOVE. LOCATE THE LUG SO THAT THE CRIMP WILL BE IN THE CENTER OF THE CRIMP BARREL. CLOSE TOOL WITH LIGHT FORCE TO HOLD LUG IN PLACE.
 - 1.2.1 FOR THE Y10D USE THE GROOVE MARKED "**INSUL**". (Fig. 1)
 - 1.2.2 FOR THE Y10-22 USE THE GROOVE MARKED WITH THE SAME COLOR AS THE CONNECTOR INSULATION. (Fig 2)
- 1.3 INSERT WIRE FULLY INTO THE CRIMP BARREL AS FAR AS IT WILL GO. CLOSE TOOL WITH FIRM HAND PRESSURE TO CRIMP LUG ON THE WIRE.
- 1.4 SEE FIG. 3 FOR A REPRESENTATION OF A CRIMPED INSULATED LUG.

2. INSULATED SPLICES (INSULINKS/VINYLINKS), SN AND SP SERIES

- 2.1 STRIP WIRES IN ACCORDANCE WITH TABLE II,
- 2.2 PLACE ONE END OF THE SPLICE IN THE PROPER INSULATED CRIMP GROOVE. LOCATE THE SPLICE SO THAT THE CRIMP WILL BE IN THE CENTER OF THE CRIMP BARREL. CLOSE TOOL WITH LIGHT FORCE TO HOLD SPLICE IN PLACE.
 - 2.2.1 FOR THE Y10D USE THE GROOVE MARKED "**INSUL**". (Fig. 1)
 - 2.2.2 FOR THE Y10-22 USE THE GROOVE MARKED WITH THE SAME COLOR AS THE CONNECTOR INSULATION. (Fig. 2)
- 2.3 INSERT WIRE FULLY INTO THE CRIMP BARREL AS FAR AS IT WILL GO. CLOSE TOOL WITH FIRM HAND PRESSURE TO CRIMP SPLICE ON THE WIRE.
- 2.4 REPEAT STEPS 2.2 AND 2.3 FOR THE OTHER END OF THE SPLICE.
- 2.5 SEE FIG. 4 FOR A REPRESENTATION OF A CRIMPED INSULATED SPLICE.

3. NON-INSULATED LUGS (HYLUGS), T AND YAV SERIES

- 3.1 PLACE THE LUG IN THE PROPER NON-INSULATED CRIMP GROOVE. LOCATE THE LUG SO THAT THE CRIMP WILL BE IN THE CENTER OF THE CRIMP BARREL. CLOSE TOOL WITH LIGHT FORCE TO HOLD LUG IN PLACE.
 - 3.1.1 FOR THE Y10D USE THE GROOVE MARKED "**NON**". (Fig. 1)
 - 3.1.2 FOR THE Y10-22 USE THE GROOVE MARKED "**NON INSUL**". (Fig 2)
- 3.2 INSERT WIRE FULLY INTO THE CRIMP BARREL AS FAR AS IT WILL GO. CLOSE TOOL WITH FIRM HAND PRESSURE TO CRIMP LUG ON THE WIRE.
- 3.3 SEE FIG. 5 FOR A REPRESENTATION OF A CRIMPED NON-INSULATED LUG.

4. NON-INSULATED SPLICES (HYLINKS), YSV SERIES

- 4.1 PLACE THE SPLICE IN THE PROPER NON-INSULATED CRIMP GROOVE. LOCATE THE SPLICE SO THAT THE CRIMP WILL BE IN THE CENTER OF THE CRIMP BARREL. CLOSE THE TOOL WITH LIGHT FORCE TO HOLD THE SPLICE IN PLACE.
 - 4.1.1 FOR THE Y10D USE THE GROOVE MARKED **NON**. (Fig. 1)
 - 4.1.2 FOR THE Y10-22 USE THE GROOVE MARKED "**NON INSUL**". (Fig. 2)
- 4.2 INSERT WIRE FULLY INTO THE CRIMP BARREL AS FAR AS IT WILL GO. CLOSE TOOL WITH FIRM HAND PRESSURE TO CRIMP LUG ON THE WIRE.
- 4.3 REPEAT STEPS 4.1 AND 4.2 FOR THE OTHER END OF THE SPLICE.
- 4.4 SEE FIG. 6 FOR A REPRESENTATION OF A CRIMPED NON-INSULATED SPLICE.

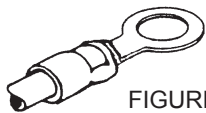


FIGURE 3

CRIMPED INSULATED LUG

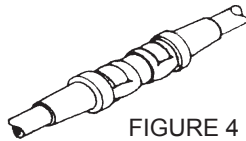


FIGURE 4

CRIMPED INSULATED SPLICE



FIGURE 5

CRIMPED NON-INSULATED LUG

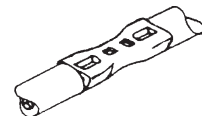


FIGURE 6

CRIMPED NON-INSULATED SPLICE

⚠ WARNING

Tools are NOT insulated for use on or near energized conductors. Use of these tools near energized conductors may lead to electrical shock, causing severe injury or death. DO NOT use these tools near energized conductors without adequately insulating operator and surroundings.

Wear all appropriate Personal Safety equipment while operating these tools including eye protection to avoid personal injury.

8.5x6.8B
Form#3221
Rev. D
Item #476021
PC210999

For information about BURNDY® contact:

BURNDY® 47 East Industrial Park Drive Manchester, NH 03109 1-800-346-4175

BURNDY® BRAND HAND OPERATED HYTOOLS™ Y10D AND Y1022

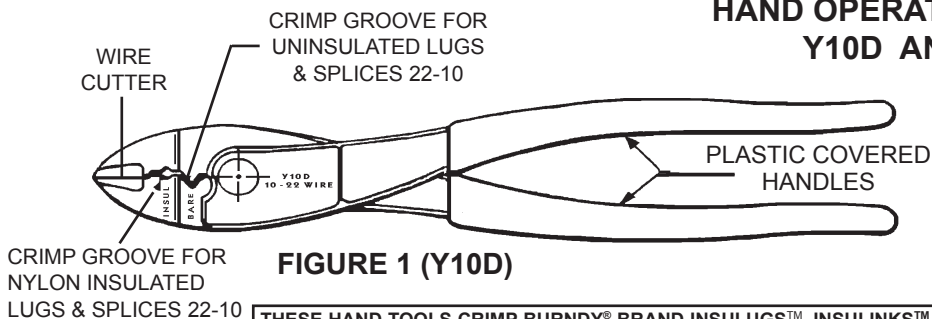


FIGURE 1 (Y10D)

THESE HAND TOOLS CRIMP BURNDY® BRAND INSULUGS™, INSULINKS™, VINYLUGS™, VINYLINKS™, HYLUGS™ AND HYLINKS™ ON NO. 22 THROUGH NO. 10 AWG WIRE. TABLE I BELOW SHOWS LUG, SPLICE, WIRE RANGE AND CRIMP GROOVE INFORMATION FOR THESE TOOLS.

ACCOMMODATES				Y10D	Y10-22
ITEM (TRADEMARK)	CAT. NO.	COLOR CODED	WIRE RANGE	CRIMP GROOVE	CRIMP GROOVE
INSULATED LUG				INSUL	RED
(INSULUG)	TN	BLUE	22-18	INSUL	RED
(VINYLUG)	TP	YELLOW	16-14	INSUL	BLUE
			12-10	INSUL	YELLOW
INSULATED SPLICE				INSUL	RED
(INSULINK)	SN	BLUE	22-18	INSUL	RED
(VINYLINK)	SP	YELLOW	16-14	INSUL	BLUE
			12-10	INSUL	YELLOW
BARE LUG				NON	NON
(HYLUG)	T	NONE	22-10	NON	NON
	YAV			NON	NON
BARE SPLICE				NON	NON
(HYLINK)	YSV	NONE	22-10	NON	NON
				NON	NON

TABLE I

"S" WIRE STRIP LENGTH +/- 1/32"							
WIRE SIZE	LUGS				SPLICES		
	TN	TP	YAV	T	SN	SP	YSV
22-18	7/32		9/32	9/32	7/32		1/4
22-16		1/4				1/4	
20-14			9/32	9/32			1/4
16-14	7/32	13/64			7/32	1/4	
16-10				11/32			
12-10	3/8	11/32	7/16		7/16	21/64	5/16

TABLE II

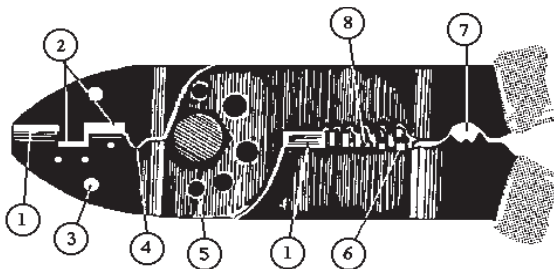
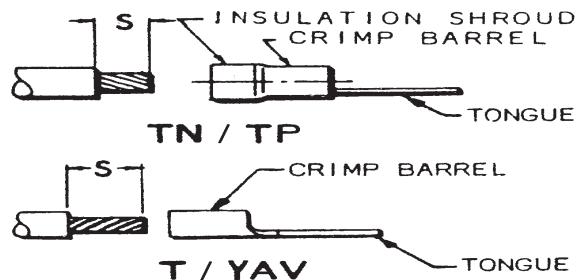
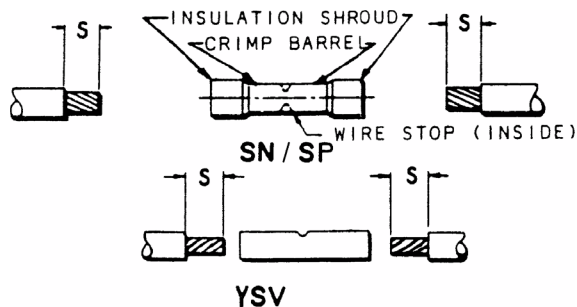


FIGURE 2 (Y10-22)



- WIRE CUTTERS:** Place wire in either wire cutter, close tool completely.
- INSULATED TERMINALS:** Align tool dies over center of terminal barrel. Close tool completely.
- LOOPING:** Place bare wire in either hole, twist tool 180° to form loop.
- NON-INSULATED TERMINALS:** Align tool dies over center of terminal barrel. Close tool completely.
- BOLT CUTTER:** Thread mild steel or non-ferrous bolts into side marked "INSERT SCREW HERE". Turn bolt to needed length - allow 1/8" for tool thickness. Close tool completely.
- STRANDED WIRE STRIPPER:** Insert wire into proper gauge slot. Close handles completely. Pull wire from tool.
- IGNITION TERMINALS:** Align tool dies over center of terminal barrel. Close tool completely.
- SOLID WIRE STRIPPER:** Same directions as number 6.