

Blank Bodies With Mounting Lugs for Drilling and Tapping Single Gang, Multi-Gang, Tandem

Applications:

Blank cast device boxes are used:

- Where several wiring devices are to be grouped together
- To assemble special combinations of wiring devices
- Where special arrangements of conduit hubs or entrances are required

Features:

- Available in shallow (FS) or deep (FD) configurations.
- FS/FD bodies have thick walls for drilling and tapping conduit entrances.
- Internal green ground screw standard on boxes.
- Available in single, two, three, four and five gang and two gang tandem bodies.
- Cast mounting lugs at diagonally opposite corners.
- For a wide selection of standard surface or flush covers see pages 37–45.

Certifications and Compliances:

- UL Standard: 514A
- CSA Standard: C22.2 No. 18

Standard Materials:

- *Feraloy* iron alloy

Standard Finishes:

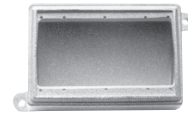
- *Feraloy* – electrogalvanized and aluminum acrylic paint



FS019, FD019 single gang



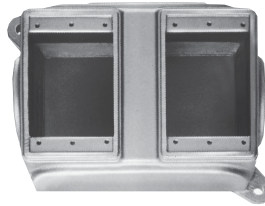
FS062, FD062 two gang



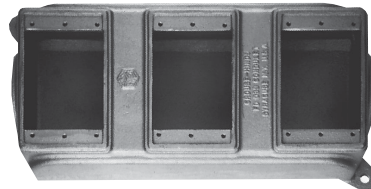
FS063, FD063 three gang



FS094, FD094 four gang



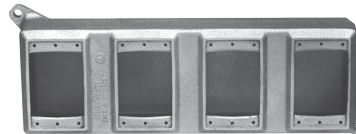
FS029, FD029 two gang



FS039, FD039 three gang



FS097, FD097 two gang tandem



FD04 four gang



FD05 five gang

Ordering Information:

Description	Shallow Cat. #	Deep Cat. #
Single gang	FS019	FD019*
Two gang	FS029	FD029*
Three gang	FS039	FD039*
Four gang		FD04
Five gang		FD05
Two gang (takes one two gang cover)	FS062	FD062
Three gang (takes one three gang cover)	FS063	FD063
Four gang (takes one four gang cover)	FS094	FD094
Two gang tandem	FS097	FD097

*Available in copper-free aluminum. To order add suffix SA to Cat. No.

2F Condulet® Blank Device Boxes - Cast Iron

Blank Bodies for Drilling and Tapping Ordering Information

2F

Ordering Information:

To order one of the blank bodies with drilled and tapped holes listed on see pages 31-33, proceed as follows:

Step 1

Select the required box.

Step 2

Select the arrangement that meets the requirements from Table 1.

Step 3

Determine the maximum size and spacing of conduit openings from Table 2.

Step 4

Substitute the appropriate symbol from Table 4 for each conduit entrance, using "0" (zero) for those locations on arrangement where an entrance is not required.

Example:

Step 1 – box required FS062

Step 2 – arrangement 1

Step 3 – conduit entrances – 1/2" at "a", none at "b"; 1" at "c" and "d"; none at "e" and "f".

Step 4 – symbols are substituted and written in alphabetical order starting with location "a". For this example A0CC00.

Complete Cat. No. is made up of three parts:

Part 1 – box number;

Part 2 – arrangement number;

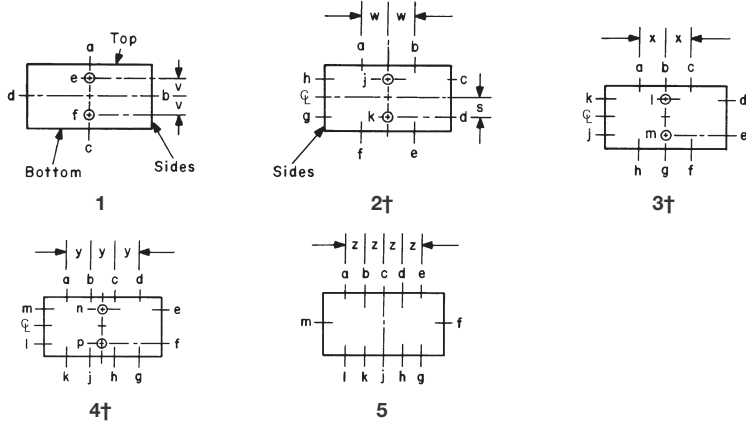
Part 3 – symbols for conduit entrances.

For this example:

FS062-1-A0CC00.

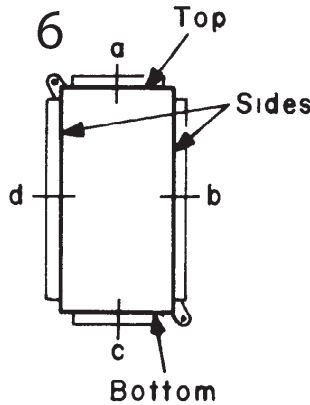
Table 1/Drilling and Tapping Arrangements*

Two, Three, Four and Five Gang

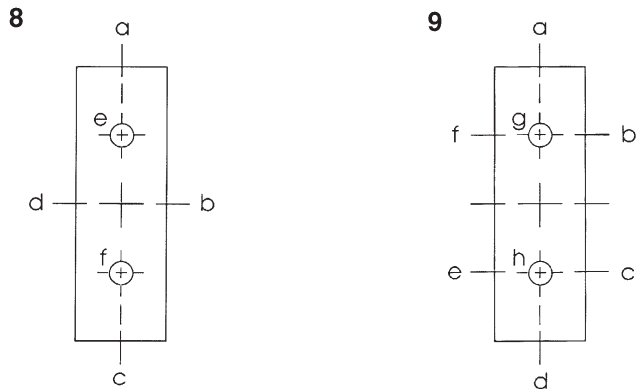


*Drilling and tapping arrangements other than those in Table 1 are available. Consult Eaton's Crouse-Hinds.
†If only one conduit entry is specified or permitted (see Table 2) on a side wall that conduit entry will be centered on the wall.

Single Gang Only (FS or FD019)



Two Gang Tandem (FS or FD097)



Blank Bodies for Drilling and Tapping Single-Gang, Multi-Gang, Tandem

2F

Table 2/Maximum Number, Size and Spacing of Conduit Openings

Cat. #	Maximum Conduit Opening Size														
	Top and Bottom					Sides		Back	Spacings						
	1	2	3	4	5	1	2	2	s	v	w	x	y	z	
FS019	1					1									
FD019*	1½					1½									
FS029	1	1	1	¾		1					1⅞	1⅞	1⅝		
FD029*	1½	1½	1	¾		1½					1⅞	1⅞	1⅝		
FS039	1	1	1	1	1	1					3¾	3¾	2½	1⅞	
FD039*	1½	1½	1½	1½	1	1½					3¾	3¾	2½	1⅞	
FD04	1½	1½	1½	1½		1½	1	1		1⅜	1⅞	3¾	3¾	3¾	
FD05	1½	1½	1½	1½	1½	1½	1	1		1⅜	3¾	3¾	3¾	3¾	3¾
FS062	1	1	¾			1	1	1		1¼	29/32	1⅝			
FD062	1½	1¼	¾			1½	1	1¼	1	1	1	1⅝			
FS063	1	1	1	¾		1	1	1		1¼	1⅜	1⅜	1⅝		
FD063	1½	1¼	1	¾		1½	1	1¼	1	1	1⅜	2	1⅞		
FS094	1	1	1	1	¾	1	1	1		1¼	1⅜	1⅜	1⅜	1⅞	1⅞
FD094	1½	1½	1½	1	¾	1½	1	1		1⅞	1½	2⅝	1⅜	1⅞	1⅞
FS097	1	1½				1	1	1½		1⅝	¾				
FD097	1½	1½				1½	1½	1½		1⅝	¾				

Table 3/Distance From Mounting Surface to Centerline of Conduit Opening ("u")

Cat. #	u
FS019	29/32
FD019*	1⅜
FS029	29/32
FD029*	1⅜
FS039	31/32
FD039*	1⅜
FD04	1⅞
FD05	1⅞
FS062	1⅞
FD062	1⅞
FS063	1⅞
FD063	1⅞
FS094	1⅞
FD094	1⅞
FS097	1⅞
FD097	1⅞

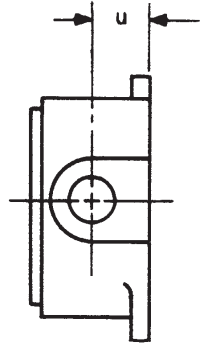


Table 4/Symbols for Openings

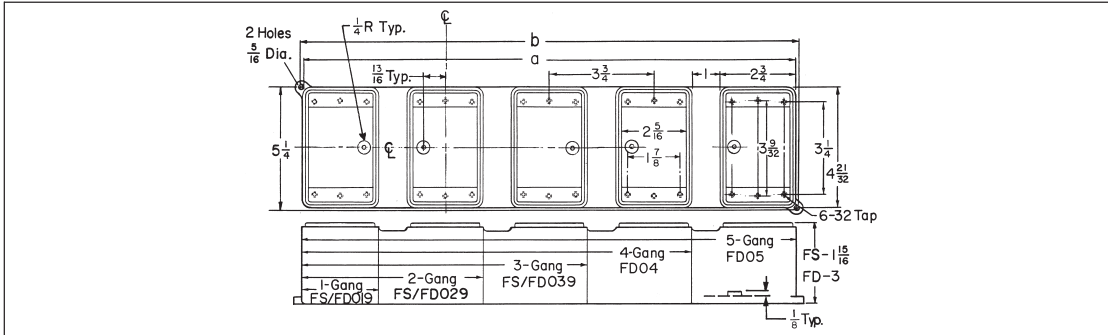
Conduit Size	Symbol
½	A
¾	B
1	C
1¼	E
1½	F
None	0

*Available in copper-free aluminum. To order add suffix SA to Cat. No.

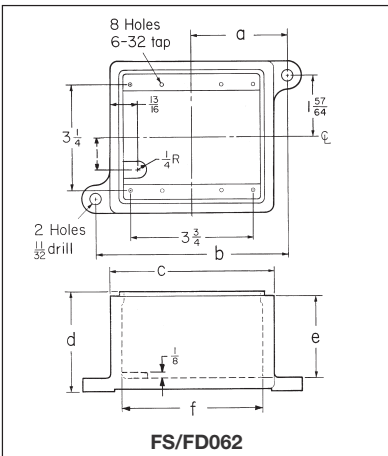
2F Condulet® Cast Device Boxes

Blank Bodies for Drilling and Tapping
Single-Gang, Multi-Gang, Tandem
Dimensions (In Inches)

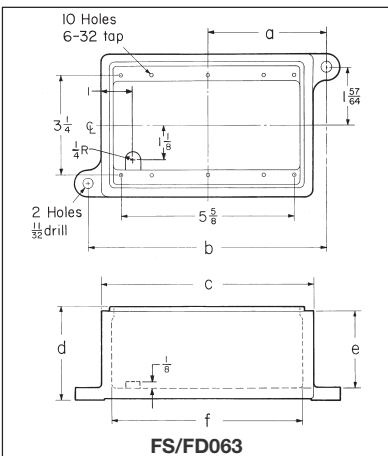
2F



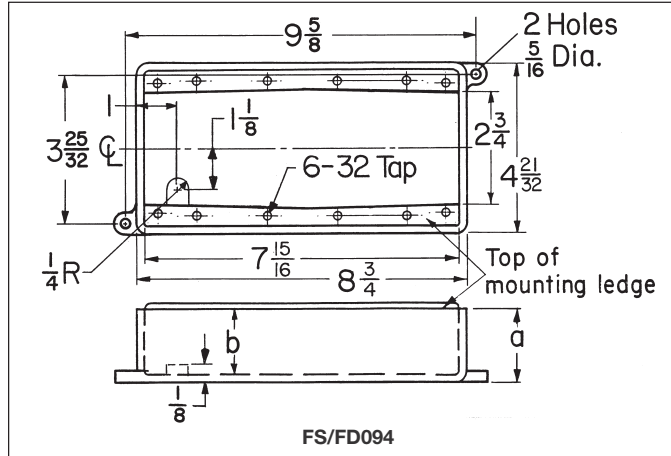
Cat. #	a	b
FS/FD019	3 1/4	3 1/4
FS/FD029	7	7
FS/FD039	10 3/4	10 3/4
FDO4	14 3/8	15
FDO5	18 1/8	18 3/4



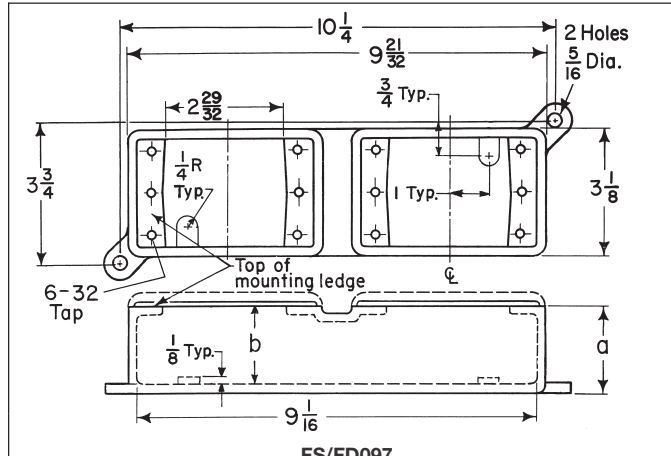
Cat. #	a	b	c	d	e	f
FS062	2 7/8	5 3/4	5	2 3/16	1 1/2	4 3/8
FD062	2 15/16	5 1/8	5 1/16	3 1/16	2 1/2	4 1/16



Cat. #	a	b	c	d	e	f
FS063	3 13/16	7 7/8	6 7/8	2 3/16	1 1/2	6 1/4
FD063	3 7/8	7 1/4	7 1/16	3 1/32	2 1/2	6 3/16



Cat. #	a	b
FS094	2 7/16	1 45/64
FD094	3	2 1/2



Cat. #	a	b
FS097	2 1/32	1 1/2
FD097	2 27/32	2 1/16