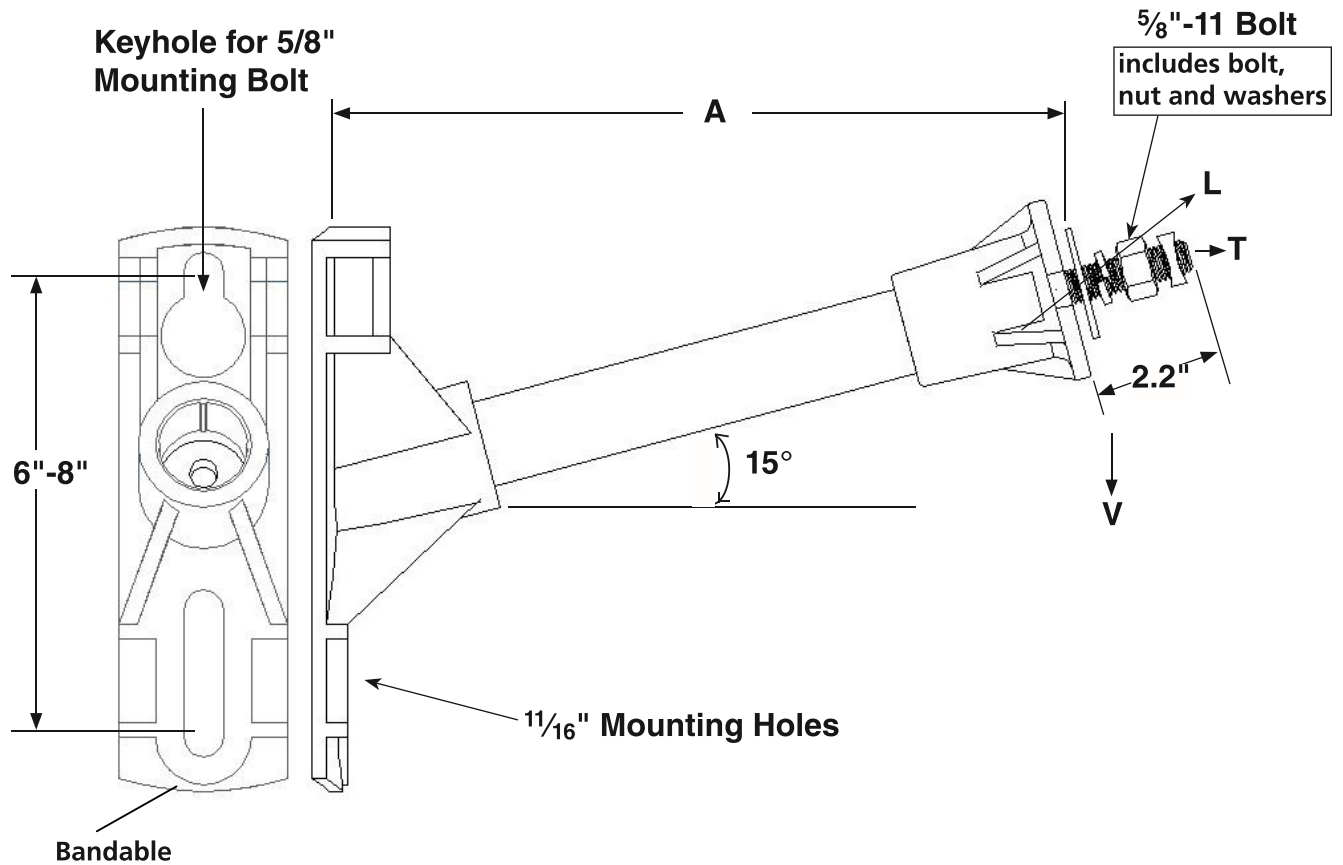


Communication Standoff Bracket (15°)



Base and End Fitting
are aluminum alloy.

Catalog Number	Length A	Minimum Ultimate*			Weight (Each)
		Vertical V	Longitudinal L	Transverse T	
Medium Duty 1 1/2" (38 mm) Dia. Fiberglass Rod					
1CSM12	12" (30.5 cm)	2100 lbs. (953 kg)	1300 lbs. (590 kg)	1500 lbs. (680 kg)	3.8 lbs. (1.7 kg)
1CSM15	15" (38.1 cm)	1800 lbs. (817 kg)	1200 lbs. (544 kg)	1500 lbs. (680 kg)	4.2 lbs. (1.9 kg)
1CSM18	18" (45.7 cm)	1500 lbs. (680 kg)	1000 lbs. (454 kg)	1500 lbs. (680 kg)	4.6 lbs. (2.1 kg)
1CSM21	21" (53.3 cm)	1300 lbs. (590 kg)	850 lbs. (386 kg)	1500 lbs. (680 kg)	5.0 lbs. (2.3 kg)
1CSM24	24" (61.0 cm)	1100 lbs. (499 kg)	700 lbs. (318 kg)	1500 lbs. (680 kg)	5.4 lbs. (2.4 kg)
1CSM30	30" (76.2 cm)	900 lbs. (408 kg)	600 lbs. (272 kg)	1500 lbs. (680 kg)	6.1 lbs. (2.7 kg)
1CSM36	36" (91.4 cm)	900 lbs. (408 kg)	500 lbs. (227 kg)	1500 lbs. (680 kg)	6.8 lbs. (3.1 kg)

*Recommended maximum working load is 50% of minimum ultimate ratings listed.
 Consult factory for additional lengths, bases, and long bolt option.
 Add "SC" suffix to the end of the catalog number to denote Silicone Coated rod