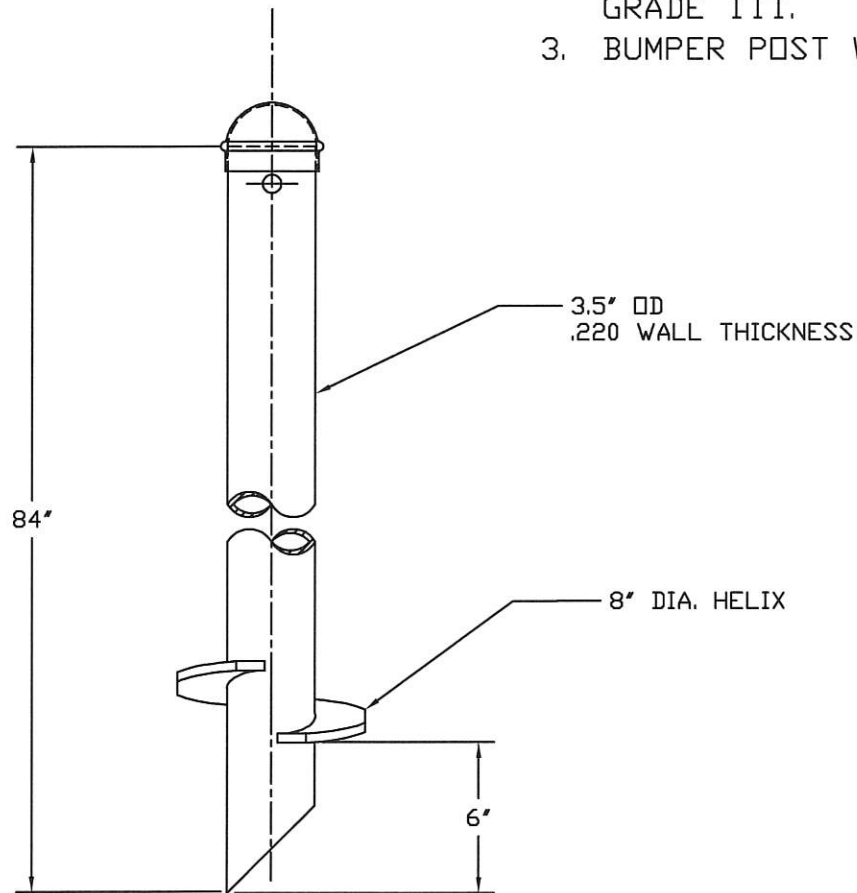



NOTES

1. HOT DIP GALV. PER ASTM A153-(LATEST REVISION).
2. PIPE MATERIAL PER ASTM A500 GRADE B OR ASTM A618 GRADE III.
3. BUMPER POST WEIGHT IS 55 LBS.



CATALOG NUMBER
C1120275

CHANCE TOLERANCE CHART		 HUBBELL POWER SYSTEMS	
<small>CONFIDENTIAL: THIS DRAWING AND ITS CONTENTS ARE CONFIDENTIAL AND THE EXCLUSIVE PROPERTY OF HUBBELL POWER SYSTEMS. NO PUBLICATION, DISTRIBUTION OR COPIES MAY BE MADE WITHOUT THE WRITTEN CONSENT OF HUBBELL POWER SYSTEMS. HUBBELL POWER SYSTEMS UNPUBLISHED. ALL RIGHTS RESERVED UNDER THE COPYRIGHT LAWS.</small>		<small>TITLE</small> BUMPER POST	
		<small>SIZE</small> B	<small>DWG NO.</small> SA1120275
<small>DO NOT SCALE THIS DRAWING</small>		<small>DRN BY</small> BLJ	<small>DATE</small> 3/3/2022
		<small>CAT / PART / ASSY NO.</small> C1120275	<small>REV</small> B
		<small>SHEET 1 OF 1</small>	