



[Catalog Home](#)

Product Datasheet

CHANCE

C4032036 -- Tool, Arc Snuffer Installer



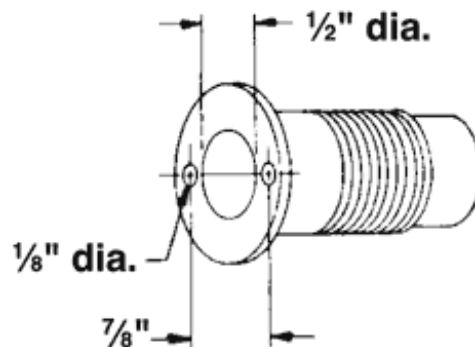
Without de-energizing URD bushings, these two hot-line tools permit easy retrieval of broken arc snuffers and installation of replacements. Designed to ensure adequate electrical clearances, both tools are to be used expressly in a Grip All clampstick. Integral ring on each tool retracts into clampstick. Tool bodies are high-impact plastic with steel inserts. Replacement Tool controls alignment with a spring-action center post that snaps into the arc snuffer bore. Two steel lugs of the tool engage holes in the snuffer collar to transmit tightening torque.

Product Specifications

Product Type	Insulated Hand Tools
Tool Type	Underground Tools
Style	Arc Snuffer Replacement Tool
Material Type	Standard
UPC Code	09635901960
Standard Package	1
Standard Package Unit	Each
Min Order Qty	1
Weight / Ea. lbs	0.98 lbs

Compressed Product Number

C4032036



These tools fit bushing arc snuffers with dimensions given.

[Catalog Home](#)



[Warranty Info](#) | [Trademarks](#) | [Terms of Use](#)

All contents Copyright © 2007 Hubbell Power Systems, Inc. All rights reserved.

NOTE: Because Hubbell has a policy of continuous product improvement, we reserve the right to change design and specifications without notice.