

## 69W76

### Brand Features

Leviton's Wetguard line of industrial watertight wiring devices are the most versatile, well-engineered watertight devices on the market. They meet IP67 and NEMA ratings for water ingress protection, and offer many significant advantages over competitive brands.

### Item Description

30 Amp, 480 Volt 3-Phase, NEMA L16-30R, 3P, 4W, Flush Mtg Locking Receptacle, Industrial Grade, Grounding, Wetguard w/Cover - YELLOW



Color:  Yellow

UPC Code: 07847707512

Country Of Origin: Mexico

NEMA:  
L16-30R



## Technical Information

### AC Horsepower Ratings

**At Rated Voltage:** 10 HP

### Electrical Specifications

**Current Limiting:** Full Rated Current

**Dielectric Voltage:** Withstands 2000V per UL498

**Temperature Rise:** Max 30C after 250 cycles OL at 200 percent rated current

### Environmental Specifications

**Environment:** Wet

**Flammability:** Rated V-0 per UL 94

**Operating Temperature:** -40°C to 60°C

### Material Specifications

**Base Material:** Nylon

**Face Material:** Nylon

**Grounding Screw:** Brass 8-32

**Line Contacts:** Brass .040 Thick

**Terminal Screws:** Brass 10-32

**Yoke:** Nickel-Plated Brass .050 Thick

### Mechanical Specifications

**Product ID:** Ratings and NEMA I.D. permanently marked on device

**Terminal Accom.:** 14-8 AWG

**Terminal ID:** Brass-Hot, Green-Ground, White-Neutral

### Product Features

**Amperage:** 30 A

**Base Material:** Nylon

**Brand:** Wetguard

**Color:** Yellow

**Face Material:** Nylon

**Grounding:** Grounding

**NEMA:** L16-30R

**Pole:** 3

**Standards and Certifications:** UL/CSA

**Strap Material:** Nickel-Plated Brass

**Termination:** Back

**Voltage:** 480 VAC

**Warranty:** Lifetime Warranty

**Wire:** 4

**Device Type:** Locking Outlet

### Standards and Certifications

**ANSI:** C-73

**CSA C22.2 No. 42:** File LR-406

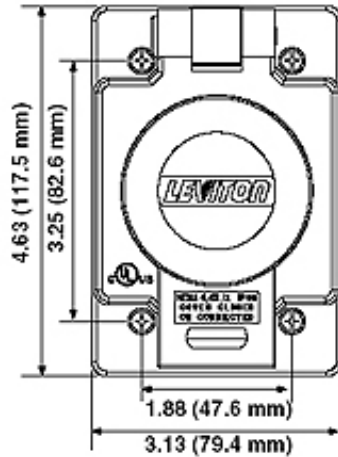
**NEMA:** WD-6

**NOM:** 057

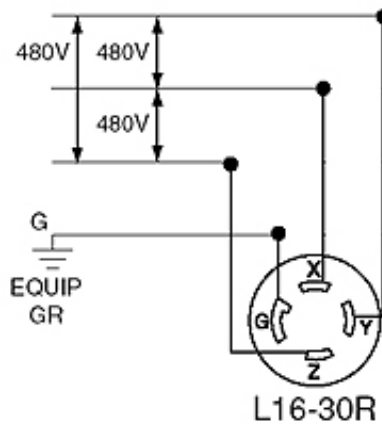
**UL498:** File E13399

**UL Fed Spec WC-596:** File E13399

### Dimensional Diagram



### Wiring Diagram



### SPECIFICATION SUBMITTAL

|                      |                      |                      |
|----------------------|----------------------|----------------------|
| JOB NAME:            | CATALOG NUMBERS:     |                      |
| <input type="text"/> | <input type="text"/> | <input type="text"/> |
| JOB NUMBER:          | <input type="text"/> | <input type="text"/> |

#### Leviton Manufacturing Co., Inc.

201 North Service Road, Melville, NY 11747

Teléfono: +1-800-323-8920 · FAX: +1-800-832-9538 · Tech Line (8:30AM-7:30PM E.S.T. Monday-Friday): +1-800-824-3005

#### Leviton Manufacturing of Canada, Ltd.

165 Hymus Boulevard, Pointe Claire, Quebec H9R 1E9 · Telephone: +1-800-469-7890 ·

FAX: +1-800-824-3005 · www.leviton.com/canada

#### Leviton S. de R.L. de C.V.

Lago Tana 43, Mexico DF, Mexico CP 11290 · Tel.: (+52)55-5082-1040 · FAX: (+52)5386-

1797 · www.leviton.com.mx

Visit our Website at: [www.leviton.com](http://www.leviton.com)

© 2018 Leviton Manufacturing Co., Inc. Todos los derechos reservados. Subject to change without notice.

#### Leviton has a global presence.

If you would like to know where your local Leviton office is located please go to:

[www.leviton.com/international/contacts/](http://www.leviton.com/international/contacts/)

