

24CM-30

Brand Features

Leviton's Industrial Grade Locking Devices are built to provide unparalleled quality and superior performance in the most severe industrial settings. Leviton combines the best materials available with superior production standards to produce a broad selection of Locking Devices of unmatched flexibility and dependability.

Item Description

20 Amp, 480 Volt 3-Phase, NEMA L16-20R, 3P, 4W, Flush Mtg Locking Receptacle, Industrial Grade, Grounding, Corrosion-Resistant - YELLOW



Color:  Yellow

UPC Code: 07847710712

Country Of Origin: Mexico

NEMA:
L16-20R



Technical Information

AC Horsepower Ratings

At Rated Voltage: 5 HP

Electrical Specifications

Grounding: Grounding

Amperage: 20 A

Voltage: 480 VAC

Pole: 3

Wire: 4

Dielectric Voltage: Withstands 2000V per UL498

Current Limiting: Full Rated Current

Temperature Rise: Max 30C after 250 cycles OL at 200 percent rated current

Environmental Specifications

Flammability: Rated V-0 per UL 94

Operating Temperature: -40°C to 60°C

Material Specifications

Face Material: Nylon

Base Material: Nylon

Line Contacts: Nickel-Plated Brass

Terminal Screws: Nickel-Plated Brass

Grounding Screw: Chromated Brass

Strap Material: Nickel-Plated Brass

Color: Yellow

Terminal Clamps: Nickel-Plated Brass

Ground Contacts: Nickel-Plated Brass

Mechanical Specifications

Terminal ID: Marked on Device

Terminal Accom.: 14-8 AWG

Product ID: Ratings and NEMA I.D. permanently marked on device

Termination: Back

Product Features

NEMA: L16-20R

Termination: Back

Face Material: Nylon

Base Material: Nylon

Color: Yellow

Warranty: Lifetime Limited

Standards and Certifications

NEMA: WD-1 & WD-6

Body Material: Valox 357

ANSI: C-73

Cover Material: Valox 357

UL: 498

UL Fed Spec: W-C-596

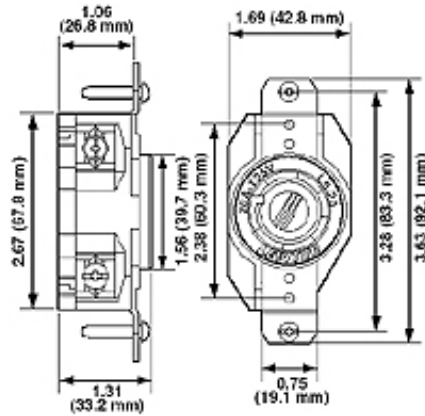
CSA: C22.2 No. 42

NOM: 057

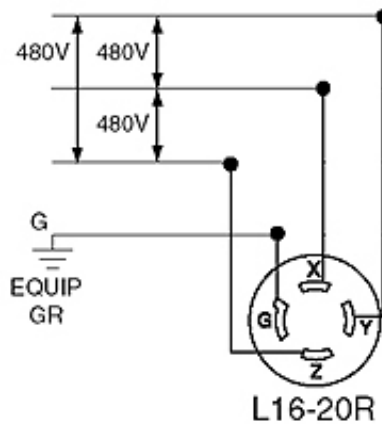
Warranty

Warranty: Lifetime Limited

Dimensional Diagram



Wiring Diagram



SPECIFICATION SUBMITTAL

JOB NAME:	CATALOG NUMBERS:	
<input type="text"/>	<input type="text"/>	<input type="text"/>
JOB NUMBER:	<input type="text"/>	<input type="text"/>

Leviton Manufacturing Co., Inc.

201 North Service Road, Melville, NY 11747

Teléfono: +1-800-323-8920 · FAX: +1-800-832-9538 · Tech Line (8:30AM-7:30PM E.S.T. Monday-Friday): +1-800-824-3005

Leviton Manufacturing of Canada, Ltd.

165 Hymus Boulevard, Pointe Claire, Quebec H9R 1E9 · Telephone: +1-800-469-7890 ·

FAX: +1-800-824-3005 · www.leviton.com/canada

Leviton S. de R.L. de C.V.

Lago Tana 43, Mexico DF, Mexico CP 11290 · Tel.: (+52)55-5082-1040 · FAX: (+52)5386-

1797 · www.leviton.com.mx

Visit our Website at: www.leviton.com

© 2018 Leviton Manufacturing Co., Inc. Todos los derechos reservados. Subject to change without notice.

Leviton has a global presence.

If you would like to know where your local Leviton office is located please go to:

www.leviton.com/international/contacts/

