



[Catalog Home](#)

Product Datasheet


ANDERSON FARGO

GC11113B -- Grounding Clamp



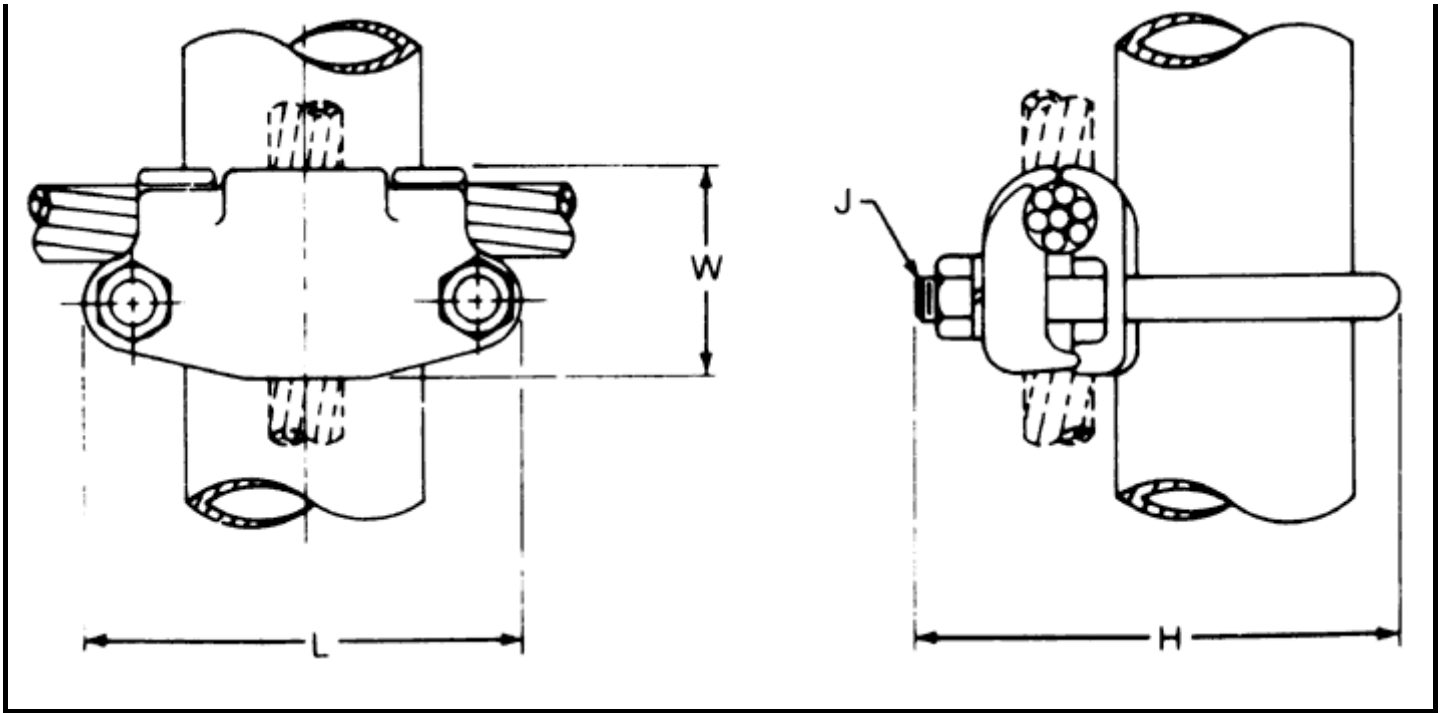
Grounding Clamp, Copper Cable to Rod or Tube, U-bolt style

Product Specifications

Series	 <p>GC-111 Series Bronze Cable to Rod or Tube Grounding Clamps</p>
PDF Catalog Page	Click HERE to view the web page.
Clamping Hardware Diameter	5 in
Rod / Tube O.D. Size	5 5/8 in
Rod / Tube Size (Ips)	5 in
Material	Bronze
Hardware Material	Stainless Steel
Conductor Size Min. / Max.	Cu 4 sol Thru Cu 2/0 str (19)
Conductor Type	Copper
Minimum Conductor Diameter	0.204 (in)
Maximum Conductor Diameter	0.419 (in)
UPC Code	09635930578
Standard Package	1
Standard Package Unit	Each
Min Order Qty	1
Weight / Ea.	2.646 lbs
Material Type	Non-Standard

Compressed Product Number

GC11113B



[Catalog Home](#)



[Warranty Info](#) | [Trademarks](#) | [Terms of Use](#)

All contents Copyright © 2007 Hubbell Power Systems, Inc. All rights reserved.

NOTE: Because Hubbell has a policy of continuous product improvement, we reserve the right to change design and specifications without notice.