



[Catalog Home](#)

Product Datasheet

CHANCE

C2060547 -- BRACKET, CUTOUT/ARR, "D" POLE

□

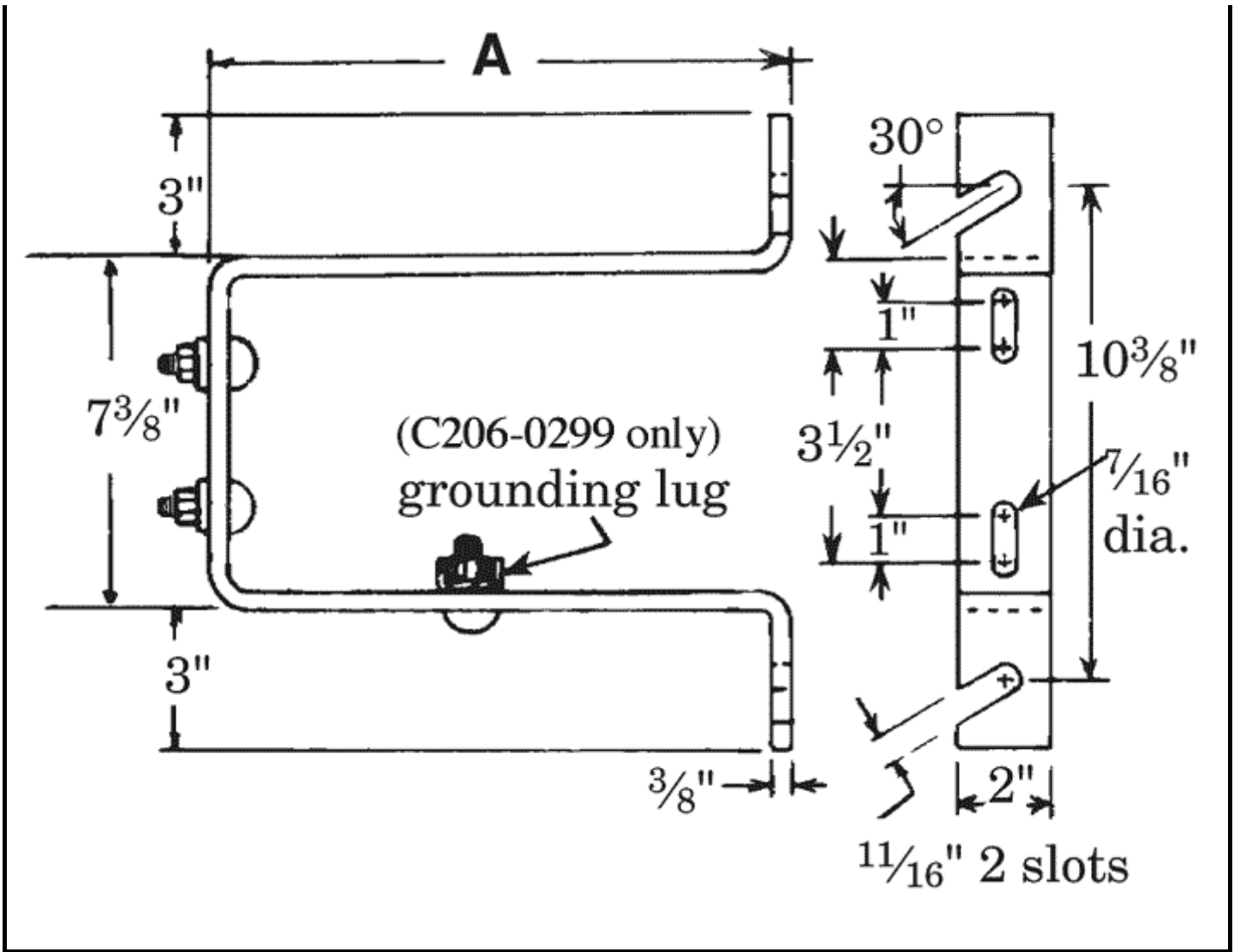
Bracket, Cutout, Arrester or Pothead, Type D, Pole Mounted. Includes two 3/8" x 1 1/2" carriage bolts for mounting L portion of NEMA apparatus, crossarm bracket.

Product Specifications

Product Categories	Equipment Mounting Brackets
Product Group	Bracket, Cutout, Arrester or Pothead
Product Type	Pole Mounting
Product Finish	Galvanized, ASTM A-153
Material	Steel
Return Type	Non-Standard
UPC Code	096359014232
Standard Package	3
Unit of Measure	EA
Min Order Qty	3
Pallet Quantity	120
Weight / Ea.	5.19 lbs
Webpage	Click HERE to view webpage
Drawing	Click HERE to view drawing.
Previous Cooper Power Systems No.	DC149B1 (Functional Equivalent)

Compressed Product Number

C2060547



Catalog Home



[Warranty Info](#) | [Trademarks](#) | [Terms of Use](#)

All contents Copyright © 2007 Hubbell Power Systems, Inc. All rights reserved.

NOTE: Because Hubbell has a policy of continuous product improvement, we reserve the right to change design and specifications without notice.