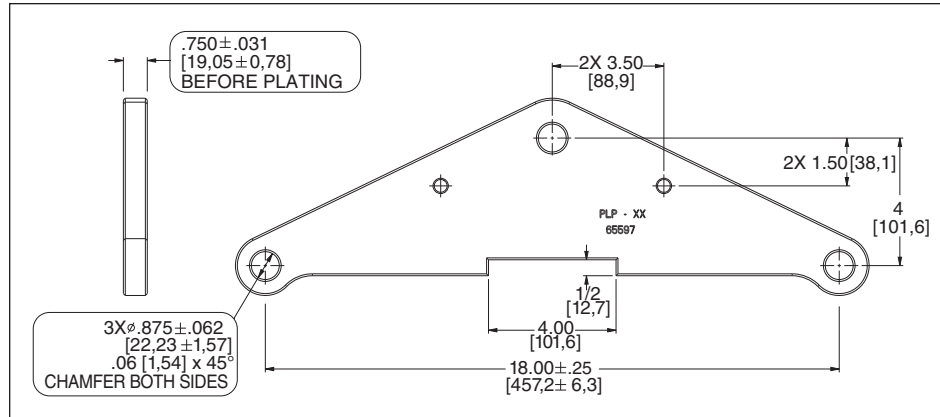
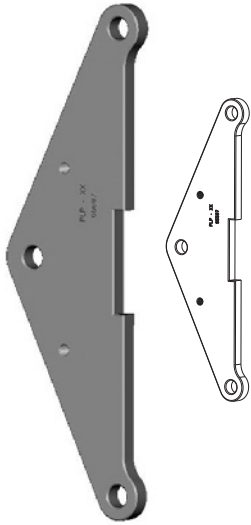


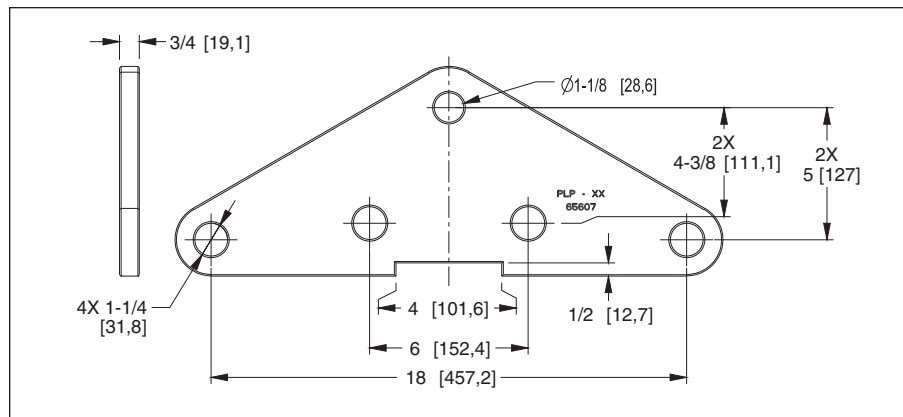
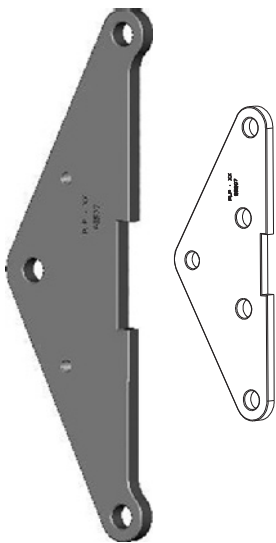
Transmission Line String Hardware

Yoke Plate, Triangle, 40K (APEX Hole) – Catalog No. YPD-65597



Features	
Body	Forged steel, hot dip galvanized
Approximate weight	13 lbs (5.9 kg)
Rated breaking strength (RBS)	40,000 lbs (APEX Hole) (178 kN)

Yoke Plate, Triangle, 50K (APEX Hole) – Catalog No. YPD-65607

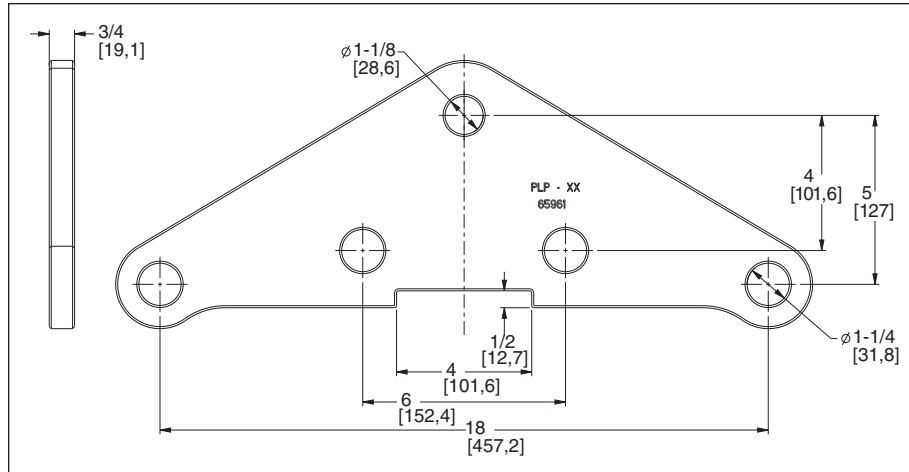
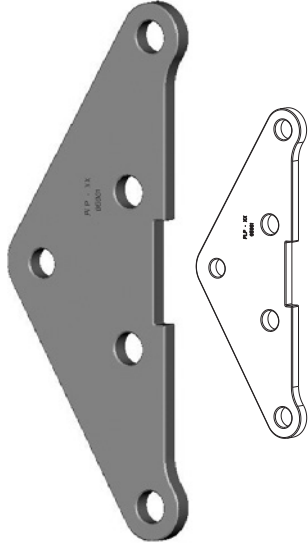


Features	
Body	Forged steel, hot dip galvanized
Approximate weight	21 lbs (9.5 kg)
Rated breaking strength (RBS)	50,000 lbs (APEX Hole) (222 kN)



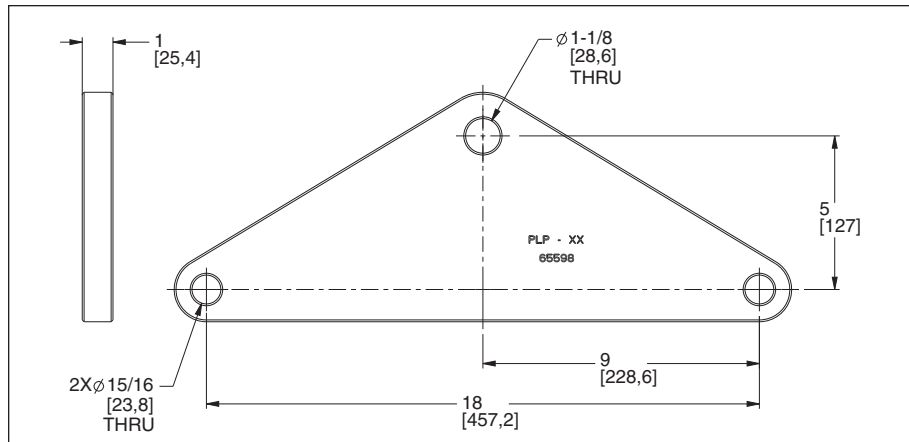
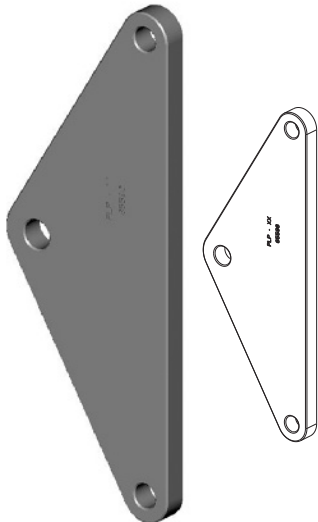
Transmission Line String Hardware

Yoke Plate, Triangle, 50K (APEX Hole) – Catalog No. YPD-65961



Features	
Body	Forged steel, hot dip galvanized
Approximate weight	18 lbs (8.2 kg)
Rated breaking strength (RBS)	50,000 lbs (APEX Hole) (222 kN)

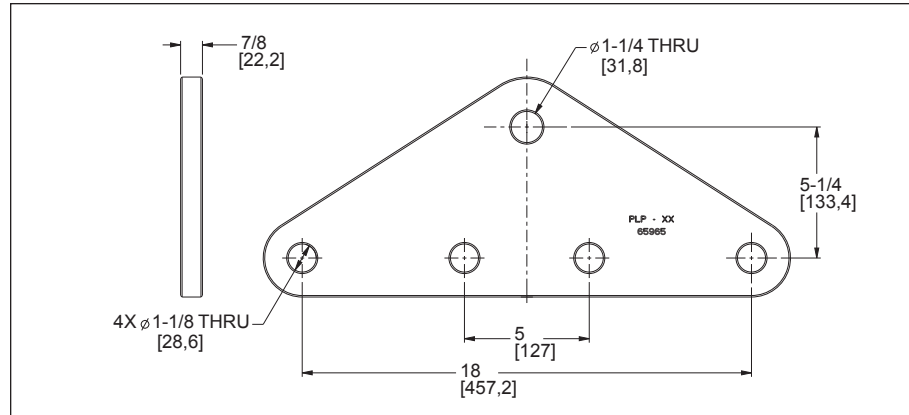
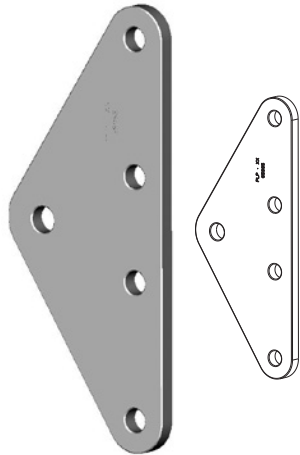
Yoke Plate, Triangle, 80K (APEX Hole) – Catalog No. YPD-65998



Features	
Body	Forged steel, hot dip galvanized
Approximate weight	26 lbs (11.3 kg)
Rated breaking strength (RBS)	80,000 lbs (APEX Hole) (356 kN)

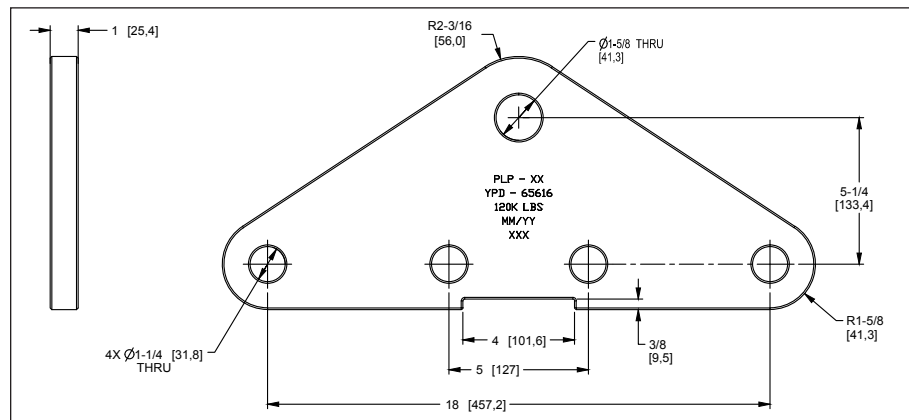
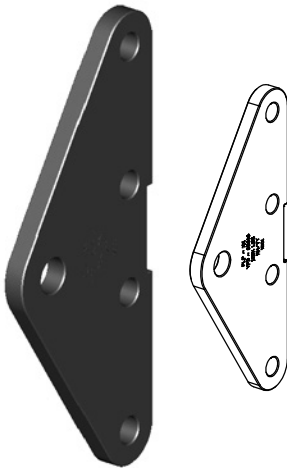
Transmission Line String Hardware

Yoke Plate, Triangle, 100K (APEX Hole) – Catalog No. YPD-65965



Features	
Body	Forged steel, hot dip galvanized
Approximate weight	29 lbs (13.2 kg)
Rated breaking strength (RBS)	100,000 lbs (APEX Hole) (444 kN)

Yoke Plate, Triangle, 120K (APEX Hole) – Catalog No. YPD-65616

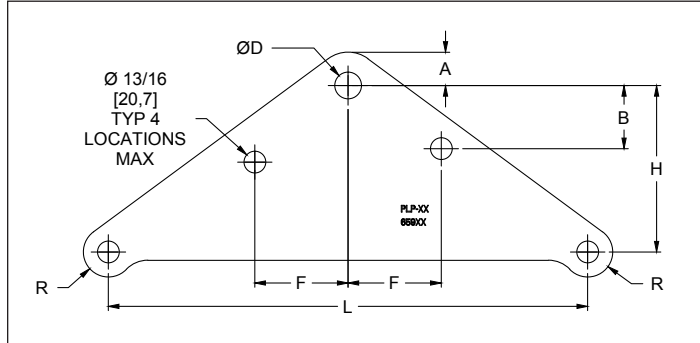
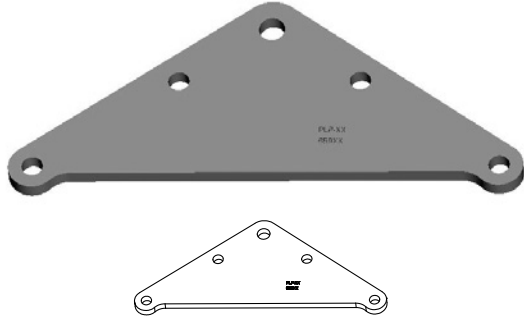


Features	
Body	Forged steel, hot dip galvanized
Approximate weight	33 lbs (15 kg)
Rated breaking strength (RBS)	120,000 lbs (APEX Hole) (533 kN)



Transmission Line String Hardware

Yoke Plate for Double AGS



Features	
Body	Forged steel, hot dip galvanized

Catalog Number	General Dimensions inches (mm)							Plate Thickness Inches (mm)	Vertical Ultimate Strength lbf (kN)	Weight lbs (kg)
	A	B	D	F	H	L	R			
YP-5907	1 (25.4)	None	13/16 (20.6)	NONE	4 (101.6)	12 (305)	13/16 (20.6)	1/2 (12.7)	30,000 (133)	15.6 (7)
YP-5908	1-1/4 (31.8)	2-3/8 (60.5)	1 (25.4)	3-1/2 (88.9)	6-1/4 (158.6)	18 (457)	15/16 (23.8)	5/8 (15.9)	40,000 (178)	20.8 (9.4)
YP-5909	1-1/4 (31.8)	2-3/4 (69.9)	1 (25.4)	4-3/16 (106.4)	7-1/4 (184.2)	22 (559)	15/16 (23.8)	5/8 (15.9)	40,000 (178)	33.1 (15)
YP-5910	1-1/4 (31.8)	3-1/4 (82.6)	1 (25.4)	4-15/16 (125.4)	8-1/2 (215.9)	26 (660)	15/16 (23.8)	3/4 (19.1)	50,000 (222)	40.3 (18.3)
YP-5911	1-1/4 (31.8)	3-5/8 (92.1)	1 (25.4)	5-1/2 (139.7)	9-1/2 (241.3)	29 (737)	15/16 (23.8)	3/4 (19.1)	50,000 (222)	48.1 (21.8)
YP-5912	1-1/4 (31.8)	4 (101.6)	1 (25.4)	6-1/8 (155.6)	10-1/2 (266.7)	32 (813)	15/16 (23.8)	3/4 (19.1)	50,000 (222)	59.8 (27.1)
YP-5913	1-1/4 (31.8)	4-1/2 (114.3)	1 (25.4)	7-1/16 (180.9)	11-3/4 (298.5)	37 (940)	15/16 (23.8)	3/4 (19.1)	50,000 (222)	59.9 (27.2)
YP-5934	1-1/4 (31.8)	5 (127)	1 (25.4)	7-27/32 (199.2)	13 (330.2)	42 (1066.8)	15/16 (23.8)	3/4 (19.1)	50,000 (222)	76 (34.5)