



[Catalog Home](#)

**Product Datasheet**


**ANDERSON FARGO**

**GC10303 -- Grounding Clamp**



Grounding Clamp, Copper Wire/Cable to Rod/Pipe, Heavy duty

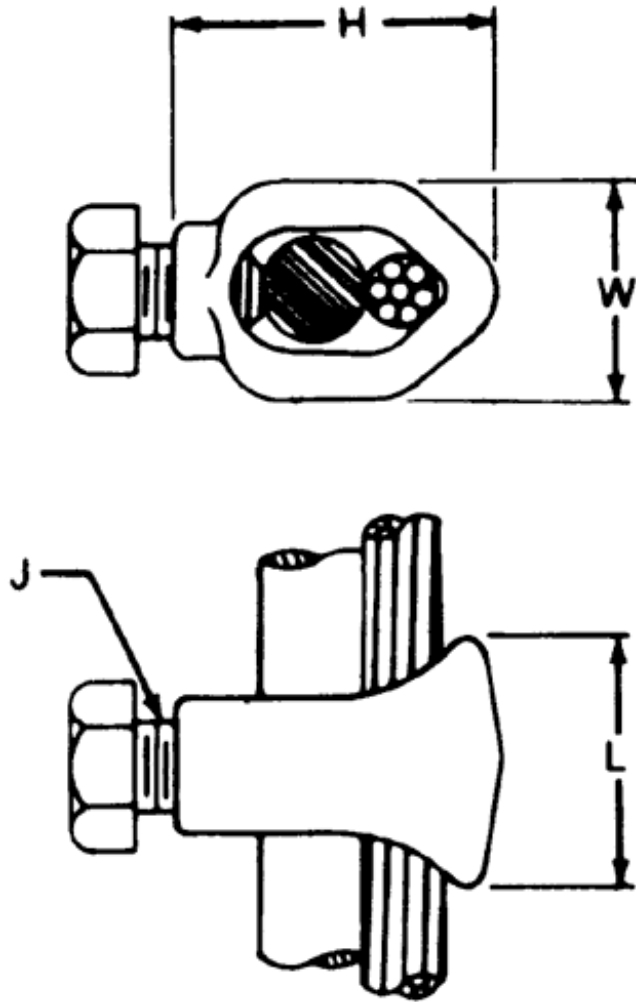
**Product Specifications**

<p><b>Series</b></p>	 <p><b>GC-103 Series</b> Bronze, Heavy Duty Wire/Cable to Rod Grounding Clamps</p>
<p><b>PDF Catalog Page</b></p>	<p><a href="#">Click HERE to view the web page.</a></p>
<p><b>Rod O.D. Size</b></p>	<p>3/4 in</p>
<p><b>Material</b></p>	<p>Bronze</p>
<p><b>Hardware Material</b></p>	<p>Stainless Steel</p>
<p><b>Conductor Size Min. / Max.</b></p>	<p>Cu 4 sol Thru Cu 250 kcmil (37)</p>
<p><b>Conductor Type</b></p>	<p>Copper</p>
<p><b>Minimum Conductor Diameter</b></p>	<p>0.204 (in)</p>
<p><b>Maximum Conductor Diameter</b></p>	<p>0.575 (in)</p>
<p><b>UPC Code</b></p>	<p>09635930538</p>
<p><b>Standard Package</b></p>	<p>18</p>
<p><b>Standard Package Unit</b></p>	<p>Each</p>
<p><b>Min Order Qty</b></p>	<p>1</p>

Weight / Ea.	0.49 lbs
Material Type	Non-Standard

**Compressed Product Number**

GC10303



Catalog Home



[Warranty Info](#) | [Trademarks](#) | [Terms of Use](#)

All contents Copyright © 2007 Hubbell Power Systems, Inc. All rights reserved.

NOTE: Because Hubbell has a policy of continuous product improvement, we reserve the right to change design and specifications without notice.