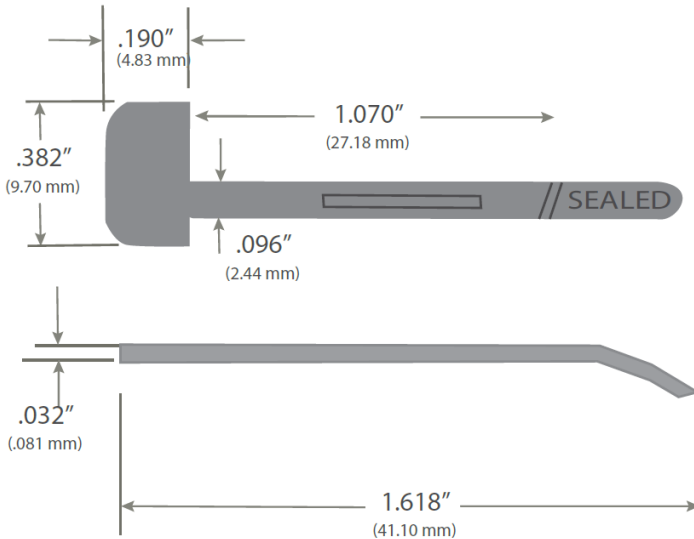




BT ALUMINUM METER SEAL

Product Data Sheet

Brooks' BT Aluminum Meter Seal is the most widely used seal for securing electric meter covers.



FEATURES

- One-piece 0.032" (0.82mm) thickness aluminum.
- Seal is scored to fracture if unauthorized entry is attempted.
- No tools are required for installation or removal.
- Base of seal stamped "SEALED".
- Customization is available upon request (up to six characters may be stamped on the flag portion).
- Available in plain Aluminum, Anodized Gold Aluminum, Blue, Green, or Red.

MODEL NUMBERS

3570000	Anodized Aluminum
3571000	Plain Aluminum
3570500	Painted Red
3570500-2	Painted Green
3570500-3	Painted Blue

PACKAGING

Standard Packaging:

1,000 per bag/50,000 per carton

Special Packaging:

100 per bag/ 50,000 per carton.