

FLAT AND DOME SCREW COVER, CONTOURED, TYPE 4

APPLICATION

Made out of drawn steel, this screw cover junction box offers rounded corners and smooth construction while meeting the water submersion rating. It can be used for a broad range of electrical and terminal wiring applications that do not require a back panel and is available in flat and dome cover models for mounting flexibility.

SPECIFICATIONS

- Drawn 16 gauge steel
- No welded seams or sharp corners
- Cover screws
- Formed flanged cover
- Oil-resistant gasket
- External welded-on mounting brackets for easy installation
- Bonding provision on cover
- Grounding stud on body

FINISH

ANSI 61 gray polyester powder paint inside and out

MODIFICATION AND CUSTOMIZATION

Hoffman excels at modifying and customizing products to your specifications. Contact your local Hoffman sales office or distributor for complete information.

BULLETIN: A51DR

INDUSTRY STANDARDS

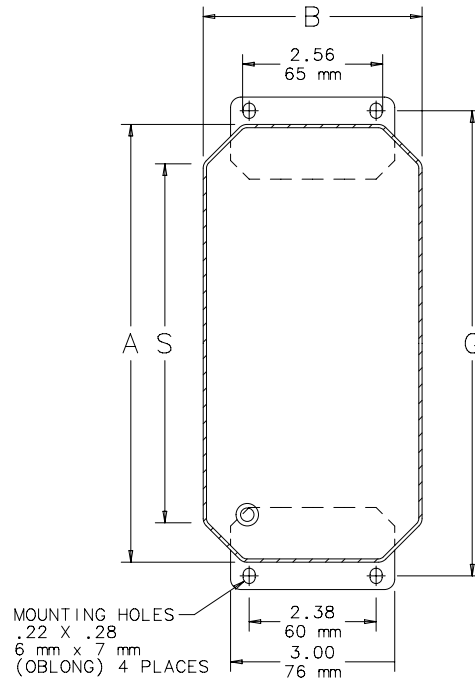
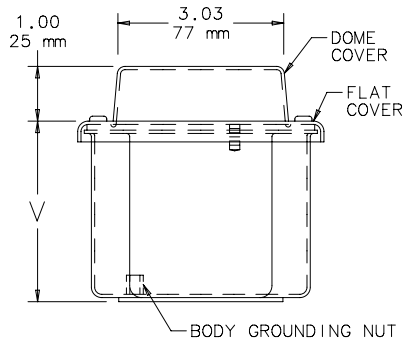
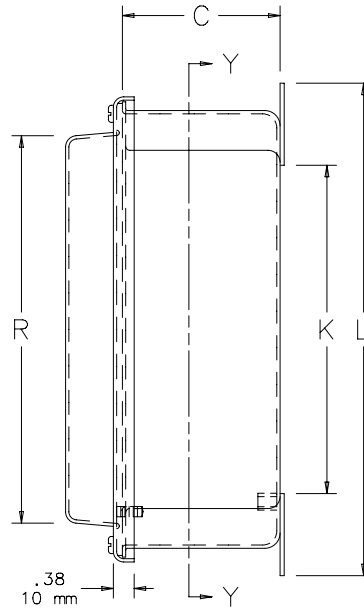
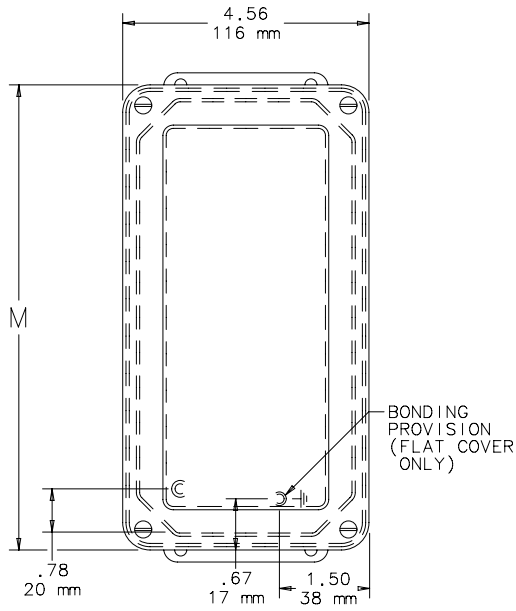
UL 508A Listed; Type 4, 6, 12, 13; File No. E61997
 cUL Listed per CSA C22.2 No. 94; Type 4, 6, 12, 13; File No. E61997

NEMA Type 4, 6, 12, and 13
 CSA, File No. 42186: Type 4, 12, and 13
 IEC 60529, IP67

Standard Product

Catalog Number	AxBxC in./mm	Interior Volume (in. ³)	Mounting G in./mm	Cover Type	K in./mm	L in./mm	M in./mm	R in./mm	S in./mm	V in./mm
A443DSC	3.50 x 4.00 x 2.75	32.6	4.00	Flat	1.50	4.50	4.06	—	2.06	2.98
	89 x 102 x 70		102		38	114	103	—	52	76
A643DSC	5.75 x 4.00 x 2.75	55.9	6.25	Flat	3.75	6.75	6.31	—	4.31	2.98
	146 x 102 x 70		159		95	171	160	—	109	76
A843DSC	8.00 x 4.00 x 2.75	79.4	8.50	Flat	6.00	9.00	8.56	—	6.56	2.98
	203 x 102 x 70		216		152	229	217	—	167	76
A1043DSC	10.25 x 4.00 x 2.75	102.8	10.75	Flat	8.25	11.25	10.81	—	8.81	2.98
	260 x 102 x 70		273		210	286	275	—	224	76
A445DSC	3.50 x 4.00 x 4.75	44.7	4.00	Dome	1.50	4.50	4.06	2.53	2.06	3.98
	89 x 102 x 121		102		38	114	103	64	52	101
A645DSC	5.75 x 4.00 x 4.75	76.9	6.25	Dome	3.75	6.75	6.31	4.78	4.31	3.98
	146 x 102 x 121		159		95	171	160	121	109	101
A845DSC	8.00 x 4.00 x 4.75	109.1	8.50	Dome	6.00	9.00	8.56	7.03	6.56	3.98
	203 x 102 x 121		216		152	229	217	179	167	101
A1045DSC	10.25 x 4.00 x 4.75	141.2	10.75	Dome	8.25	11.25	10.81	9.25	8.81	3.98
	260 x 102 x 121		273		210	286	275	235	224	101

Domed-cover enclosure depth = V + 1 in. (25 mm)



SECTION Y-Y

C2473-C