

**DRAWN PUSHBUTTON ENCLOSURES, TYPE 4**

**INDUSTRY STANDARDS**

 UL 508A Listed; Type 4, 12, 13; File No. E61997  
 cUL Listed per CSA C22.2 No. 94; Type 4, 12, 13; File No. E61997

 NEMA/EEMAC Type 4, 12, 13  
 IEC 60529, IP66

**APPLICATION**

Drawn Pushbutton Enclosures are designed to hold 30.5-mm or 22.5-mm 4-way pushbuttons and switches. These enclosures have no welded seams or sharp corners.

**SPECIFICATIONS**

- Drawn 16 gauge steel; no welded seams or sharp corners
- Cover screws outside gasket sealing surface
- Flat or domed flanged cover
- Bonding provision on cover
- Grounding stud on body
- Oil-resistant gasket
- External welded-on mounting brackets for easy installation
- Factory stamped 4-way pushbutton holes
- 30.5-mm or 22.5-mm size holes

**FINISH**

ANSI 61 gray polyester powder paint inside and out

**ACCESSORIES**
*See also Accessories.*

Industrial Corrosion Inhibitors

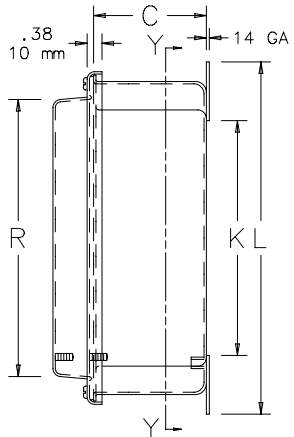
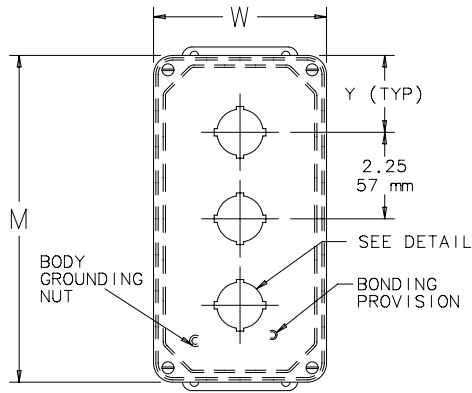
HOL-SEALERS Hole Seals

**BULLETIN: PB1**

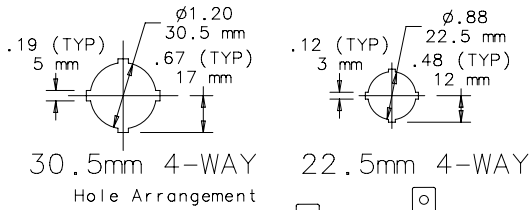
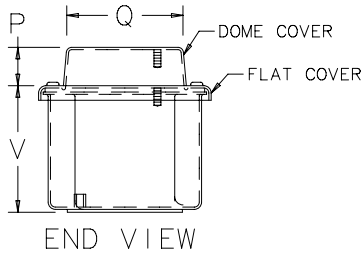
## Standard Product

Catalog Number	AxxBxC in./mm	Hole Size	Number of Holes	Mounting		Enclosure Depth																			
				G x H in./mm	Cover Type	P + V in./mm	F in./mm	K in./mm	L in./mm	M in./mm	P in./mm	Q in./mm	R in./mm	S in./mm	T in./mm	V in./mm	W in./mm	Y in./mm							
ED1PB1	4.50 x 2.88 x 2.62 114 x 73 x 67	30.5 mm	1	5.00 x 1.12 127 x 29	Flat	—	—	—	—	—	—	—	—	—	—	—	—	—	—	—	—	—	—	—	2.78 71
ED1PB2	3.50 x 4.00 x 2.75 89 x 102 x 70	30.5 mm	1	4.00 x 2.38 102 x 60	Flat	—	3.00 76	1.50 38	4.50 114	4.00 102	—	—	—	—	—	2.06 52	2.56 65	2.98 76	4.50 114	2.00 51	—	—	—	—	—
ED2PB	5.75 x 4.00 x 2.75 146 x 102 x 70	30.5 mm	2	6.25 x 2.38 159 x 60	Flat	—	3.00 76	3.75 95	6.75 171	6.25 159	—	—	—	—	—	4.31 109	2.56 65	2.98 76	4.50 114	2.00 51	—	—	—	—	—
ED3PB	8.00 x 4.00 x 2.75 203 x 102 x 70	30.5 mm	3	8.50 x 2.38 216 x 60	Flat	—	3.00 76	6.00 152	9.00 229	8.50 216	—	—	—	—	—	6.56 167	2.56 65	2.98 76	4.50 114	2.00 51	—	—	—	—	—
ED4PB	10.25 x 4.00 x 2.75 260 x 102 x 70	30.5 mm	4	10.75 x 2.38 273 x 60	Flat	—	3.00 76	8.25 210	11.25 286	10.75 273	—	—	—	—	—	8.81 224	2.56 65	2.98 76	4.50 114	2.00 51	—	—	—	—	—
ED1PBX	3.50 x 4.00 x 3.75 89 x 102 x 95	30.5 mm	1	4.00 x 2.38 102 x 60	Dome	4.98 126	3.00 76	1.50 38	4.50 114	4.00 102	1.00 25	3.03 77	2.53 64	2.06 52	2.56 65	3.98 101	2.56 65	3.98 101	4.50 114	2.00 51	—	—	—	—	—
ED1PBXM	3.50 x 4.00 x 3.75 89 x 102 x 95	22.5 mm	1	4.00 x 2.38 102 x 60	Dome	4.98 126	3.00 76	1.50 38	4.50 114	4.00 102	1.00 25	3.03 77	2.53 64	2.06 52	2.56 65	3.98 101	2.56 65	3.98 101	4.50 114	2.00 51	—	—	—	—	—
ED2PBX	5.75 x 4.00 x 3.75 146 x 102 x 95	30.5 mm	2	6.25 x 2.38 159 x 60	Dome	4.98 126	3.00 76	3.75 95	6.75 171	6.25 159	1.00 25	3.03 77	4.78 121	4.31 109	2.56 65	3.98 101	2.56 65	3.98 101	4.50 114	2.00 51	—	—	—	—	—
ED2PBXM	5.75 x 4.00 x 3.75 146 x 102 x 95	22.5 mm	2	6.25 x 2.38 159 x 60	Dome	4.98 126	3.00 76	3.75 95	6.75 171	6.25 159	1.00 25	3.03 77	4.78 121	4.31 109	2.56 65	3.98 101	2.56 65	3.98 101	4.50 114	2.00 51	—	—	—	—	—
ED3PBX	8.00 x 4.00 x 3.75 203 x 102 x 95	30.5 mm	3	8.50 x 2.38 216 x 60	Dome	4.98 126	3.00 76	6.00 152	9.00 229	8.50 216	1.00 25	3.03 77	7.03 179	6.56 167	2.56 65	3.98 101	2.56 65	3.98 101	4.50 114	2.00 51	—	—	—	—	—
ED3PBXM	8.00 x 4.00 x 3.75 203 x 102 x 95	22.5 mm	3	8.50 x 2.38 216 x 60	Dome	4.98 126	3.00 76	6.00 152	9.00 229	8.50 216	1.00 25	3.03 77	7.03 179	6.56 167	2.56 65	3.98 101	2.56 65	3.98 101	4.50 114	2.00 51	—	—	—	—	—
ED4PBX	10.25 x 4.00 x 3.75 260 x 102 x 95	30.5 mm	4	10.75 x 2.38 273 x 60	Dome	4.98 126	3.00 76	8.25 210	11.25 286	10.75 273	1.00 25	3.03 77	9.25 235	8.81 224	2.56 65	3.98 101	2.56 65	3.98 101	4.50 114	2.00 51	—	—	—	—	—
ED4PBXM	10.25 x 4.00 x 3.75 260 x 102 x 95	22.5 mm	4	10.75 x 2.38 273 x 60	Dome	4.98 126	3.00 76	8.25 210	11.25 286	10.75 273	1.00 25	3.03 77	9.25 235	8.81 224	2.56 65	3.98 101	2.56 65	3.98 101	4.50 114	2.00 51	—	—	—	—	—
ED1PBM1	4.50 x 2.88 x 2.62 114 x 73 x 67	22.5 mm	1	5.00 x 1.12 127 x 29	Flat	—	—	—	—	—	—	—	—	—	—	—	—	—	—	—	—	—	—	—	2.78 71
ED1PBM2	3.50 x 4.00 x 3.75 89 x 102 x 95	22.5 mm	1	4.00 x 2.38 102 x 60	Flat	—	3.00 76	1.50 38	4.50 114	4.00 102	—	—	—	—	—	2.06 52	2.56 65	3.98 101	4.50 114	2.00 51	—	—	—	—	—
ED2PBM	5.75 x 4.00 x 3.75 146 x 102 x 95	22.5 mm	2	6.25 x 2.38 159 x 60	Flat	—	3.00 76	3.75 95	6.75 171	6.25 159	—	—	—	—	—	4.31 109	2.56 65	3.98 101	4.50 114	2.00 51	—	—	—	—	—
ED3PBM	8.00 x 4.00 x 3.75 203 x 102 x 95	22.5 mm	3	8.50 x 2.38 216 x 60	Flat	—	3.00 76	6.00 152	9.00 229	8.50 216	—	—	—	—	—	6.56 167	2.56 65	3.98 101	4.50 114	2.00 51	—	—	—	—	—
ED4PBM	10.25 x 4.00 x 3.75 260 x 102 x 95	22.5 mm	4	10.75 x 2.38 273 x 60	Flat	—	3.00 76	8.25 210	11.25 286	10.75 273	—	—	—	—	—	8.81 224	2.56 65	3.98 101	4.50 114	2.00 51	—	—	—	—	—

For dimensions of the ED1PB1 and ED1PBM1 enclosures, see catalog number A403DSC in Mild Steel: Screw Cover, Contoured, Type 4. "Y" dimension locates pushbutton hole.



NOTE:  
 1. External mounting brackets are 14 gauge steel.  
 2. These drawings do not apply to catalog numbers ED1PB1 and ED1PB1. For enclosure dimensions, see catalog number A403DSC in Mild Steel chapter, Screw Cover, Contoured, Type 4 (S-2927)



ED1PB1	ED2PB	ED3PB	ED4PB
ED1PB2	ED2PBX	ED3PBX	ED4PBX
ED1PBX	ED2PBM	ED3PBM	ED4PBM
ED1PBM1	ED2PBXM	ED3PBXM	ED4PBXM
ED1PBXM			

