

SLOPED-FRONT PUSHBUTTON ENCLOSURES, TYPE 12

INDUSTRY STANDARDS

UL 508A Listed; Type 12, 13; File No. E61997
 cUL Listed per CSA C22.2 No. 94; Type 12, 13; File No. E61997

NEMA/EEMAC Type 12, 13
 CSA File Number 42186: Type 12
 IEC 60529, IP65

APPLICATION

These Sloped Front Pushbutton Enclosures are designed to hold 30.5-mm or 22.5-mm pushbuttons and switches where slanted control surfaces are desired.

SPECIFICATIONS

- 14 gauge steel
- Seams continuously welded and ground smooth
- Captivated cover screws thread into sealed wells
- Bonding provision on cover
- Grounding stud on body
- Oil-resistant gasket
- Factory stamped 4-way pushbutton holes
- Enclosures 7.25 x 6.25 x 6.75 in. (184 x 159 x 171 mm) and larger have internal detachable hinge to hold cover open during wiring
- External mounting brackets
- 30.5-mm or 22.5-mm size holes

FINISH

ANSI 61 gray polyester powder paint inside and out

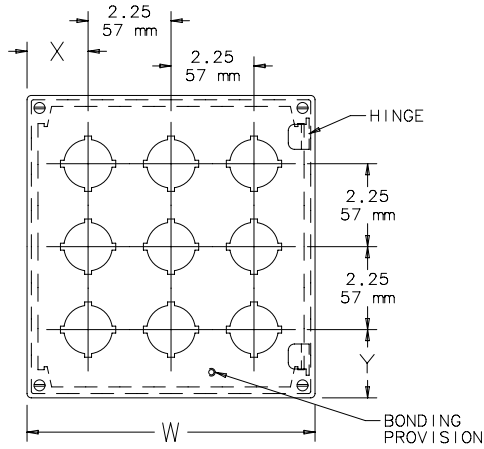
ACCESSORIES

HOL-SEALERS Hole Seals
 Tamper-Resistant Screws

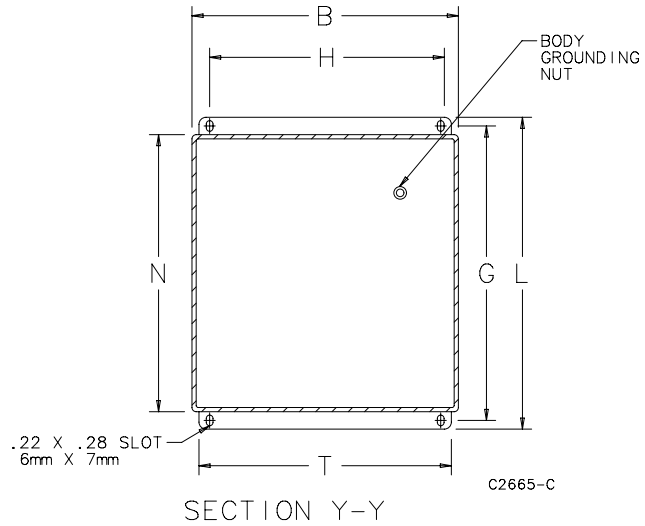
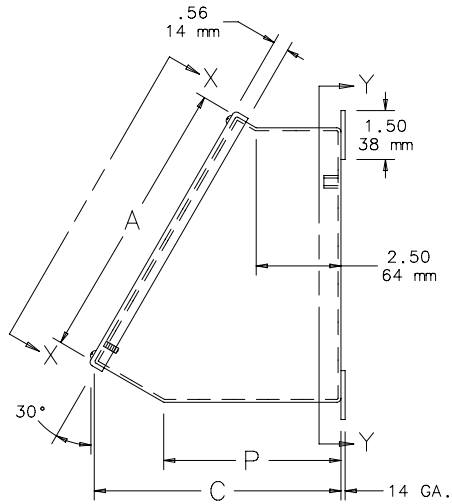
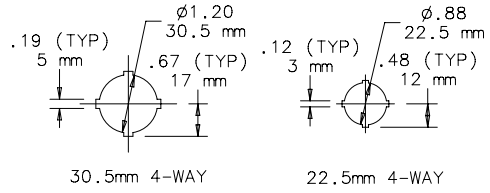
BULLETIN: PB1

Standard Product

| Catalog Number | AxBxC in. | AxBxC mm | Hole Size | No. of Holes | Mounting G x H (in.) | Mounting G x H (mm) | Overall L x W (in.) | Overall L x W (mm) | N (in.) | N (mm) | P (in.) | P (mm) | T (in.) | T (mm) | X (in.) | X (mm) | Y (in.) | Y (mm) |
|----------------|-----------------------|-----------------|-----------|--------------|----------------------|---------------------|---------------------|--------------------|---------|--------|---------|--------|---------|--------|---------|--------|---------|--------|
| E1PBA | 3.50 x 3.25 x 4.88 | 89 x 83 x 124 | 30.5 mm | 1 | 4.03 x 2.38 | 102 x 60 | 4.53 x 3.47 | 115 x 88 | 3.53 | 90 | 3.34 | 85 | 3.00 | 76 | 1.73 | 44 | 1.86 | 47 |
| E1PBAM | 3.50 x 3.25 x 4.84 | 89 x 83 x 123 | 22.5 mm | 1 | 4.03 x 2.38 | 102 x 60 | 4.53 x 3.47 | 115 x 88 | 3.53 | 90 | 3.34 | 85 | 3.00 | 76 | 1.73 | 44 | 1.86 | 47 |
| E2PBA | 3.50 x 5.50 x 4.88 | 89 x 140 x 124 | 30.5 mm | 2 | 4.03 x 4.62 | 102 x 117 | 4.53 x 5.72 | 115 x 145 | 3.53 | 90 | 3.34 | 85 | 5.25 | 133 | 1.73 | 44 | 1.86 | 47 |
| E2PBAM | 3.50 x 5.50 x 4.84 | 89 x 140 x 123 | 22.5 mm | 2 | 4.03 x 4.62 | 102 x 117 | 4.53 x 5.72 | 115 x 145 | 3.53 | 90 | 3.34 | 85 | 5.25 | 133 | 1.73 | 44 | 1.86 | 47 |
| E3PBA | 3.50 x 7.75 x 4.88 | 89 x 197 x 124 | 30.5 mm | 3 | 4.03 x 6.88 | 102 x 175 | 4.53 x 7.97 | 115 x 202 | 3.53 | 90 | 3.34 | 85 | 7.50 | 191 | 1.73 | 44 | 1.86 | 47 |
| E3PBAM | 3.50 x 7.75 x 4.84 | 89 x 197 x 123 | 22.5 mm | 3 | 4.03 x 6.88 | 102 x 175 | 4.53 x 7.97 | 115 x 202 | 3.53 | 90 | 3.34 | 85 | 7.50 | 191 | 1.73 | 44 | 1.86 | 47 |
| E4PBA | 3.50 x 10.00 x 4.88 | 89 x 254 x 124 | 30.5 mm | 4 | 4.03 x 9.12 | 102 x 232 | 4.53 x 10.22 | 115 x 260 | 3.53 | 90 | 3.34 | 85 | 9.75 | 248 | 1.73 | 44 | 1.86 | 47 |
| E4PBAM | 3.50 x 10.00 x 4.84 | 89 x 254 x 123 | 22.5 mm | 4 | 4.03 x 9.12 | 102 x 232 | 4.53 x 10.22 | 115 x 260 | 3.53 | 90 | 3.34 | 85 | 9.75 | 248 | 1.73 | 44 | 1.86 | 47 |
| E4SPBA | 7.25 x 6.25 x 6.75 | 184 x 159 x 171 | 30.5 mm | 4 | 7.28 x 5.38 | 185 x 137 | 7.78 x 6.47 | 198 x 164 | 6.78 | 172 | 5.22 | 133 | 6.00 | 152 | 2.11 | 54 | 2.61 | 66 |
| E4SPBAM | 7.25 x 6.25 x 6.75 | 184 x 159 x 171 | 22.5 mm | 4 | 7.28 x 5.38 | 185 x 137 | 7.78 x 6.47 | 198 x 164 | 6.78 | 172 | 5.22 | 133 | 6.00 | 152 | 2.11 | 54 | 2.61 | 66 |
| E6PBA | 7.25 x 8.50 x 6.75 | 184 x 216 x 171 | 30.5 mm | 6 | 7.28 x 7.62 | 185 x 194 | 7.78 x 8.72 | 198 x 221 | 6.78 | 172 | 5.22 | 133 | 8.25 | 210 | 2.11 | 54 | 2.61 | 66 |
| E6PBAM | 7.25 x 8.50 x 6.75 | 184 x 216 x 171 | 22.5 mm | 6 | 7.28 x 7.62 | 185 x 194 | 7.78 x 8.72 | 198 x 221 | 6.78 | 172 | 5.22 | 133 | 8.25 | 210 | 2.11 | 54 | 2.61 | 66 |
| E8PBA | 7.25 x 10.75 x 6.75 | 184 x 273 x 171 | 30.5 mm | 8 | 7.28 x 9.88 | 185 x 251 | 7.78 x 10.97 | 198 x 279 | 6.78 | 172 | 5.22 | 133 | 10.50 | 267 | 2.11 | 54 | 2.61 | 66 |
| E8PBAM | 7.25 x 10.75 x 6.75 | 184 x 273 x 171 | 22.5 mm | 8 | 7.28 x 9.88 | 185 x 251 | 7.78 x 10.97 | 198 x 279 | 6.78 | 172 | 5.22 | 133 | 10.50 | 267 | 2.11 | 54 | 2.61 | 66 |
| E9PBA | 9.50 x 8.50 x 7.88 | 241 x 216 x 200 | 30.5 mm | 9 | 9.25 x 7.62 | 235 x 194 | 9.73 x 8.72 | 247 x 221 | 8.73 | 222 | 6.34 | 161 | 8.25 | 210 | 2.11 | 54 | 2.61 | 66 |
| E9PBAM | 9.50 x 8.50 x 7.88 | 241 x 216 x 200 | 22.5 mm | 9 | 9.25 x 7.62 | 235 x 194 | 9.73 x 8.72 | 247 x 221 | 8.73 | 222 | 6.34 | 161 | 8.25 | 210 | 2.11 | 54 | 2.61 | 66 |
| E10PBA | 7.25 x 13.00 x 6.75 | 184 x 330 x 171 | 30.5 mm | 10 | 7.28 x 12.12 | 185 x 308 | 7.78 x 13.22 | 198 x 336 | 6.78 | 172 | 5.22 | 133 | 12.75 | 324 | 2.11 | 54 | 2.61 | 66 |
| E10PBAM | 7.25 x 13.00 x 6.75 | 184 x 330 x 171 | 22.5 mm | 10 | 7.28 x 12.12 | 185 x 308 | 7.78 x 13.22 | 198 x 336 | 6.78 | 172 | 5.22 | 133 | 12.75 | 324 | 2.11 | 54 | 2.61 | 66 |
| E12PBA | 7.25 x 15.25 x 6.75 | 184 x 387 x 171 | 30.5 mm | 12 | 7.28 x 14.38 | 185 x 365 | 7.78 x 15.47 | 198 x 393 | 6.78 | 172 | 5.22 | 133 | 15.00 | 381 | 2.11 | 54 | 2.61 | 66 |
| E12PBAM | 7.25 x 15.25 x 6.75 | 184 x 387 x 171 | 22.5 mm | 12 | 7.28 x 14.38 | 185 x 365 | 7.78 x 15.47 | 198 x 393 | 6.78 | 172 | 5.22 | 133 | 15.00 | 381 | 2.11 | 54 | 2.61 | 66 |
| E12SPBA | 11.25 x 8.50 x 9.00 | 286 x 216 x 229 | 30.5 mm | 12 | 11.19 x 7.62 | 284 x 194 | 11.69 x 8.72 | 297 x 221 | 10.69 | 272 | 7.47 | 190 | 8.25 | 210 | 2.11 | 54 | 2.61 | 66 |
| E12SPBAM | 11.25 x 8.50 x 9.00 | 286 x 216 x 229 | 22.5 mm | 12 | 11.19 x 7.62 | 284 x 194 | 11.69 x 8.72 | 297 x 221 | 10.69 | 272 | 7.47 | 190 | 8.25 | 210 | 2.11 | 54 | 2.61 | 66 |
| E16SPBAH | 7.25 x 19.75 x 6.75 | 184 x 502 x 171 | 30.5 mm | 16 | 7.28 x 18.88 | 185 x 480 | 7.78 x 19.97 | 198 x 507 | 6.78 | 172 | 5.22 | 133 | 19.50 | 495 | 2.11 | 54 | 2.61 | 66 |
| E16SPBAHM | 7.25 x 19.75 x 6.75 | 184 x 502 x 171 | 22.5 mm | 16 | 7.28 x 18.88 | 185 x 480 | 7.78 x 19.97 | 198 x 507 | 6.78 | 172 | 5.22 | 133 | 19.50 | 495 | 2.11 | 54 | 2.61 | 66 |
| E16PBA | 11.75 x 10.75 x 9.00 | 298 x 273 x 229 | 30.5 mm | 16 | 11.19 x 9.88 | 284 x 251 | 11.69 x 10.97 | 297 x 279 | 10.69 | 272 | 7.47 | 190 | 10.50 | 267 | 2.11 | 54 | 2.61 | 66 |
| E16PBAM | 11.75 x 10.75 x 9.00 | 298 x 273 x 229 | 22.5 mm | 16 | 11.19 x 9.88 | 284 x 251 | 11.69 x 10.97 | 297 x 279 | 10.69 | 272 | 7.47 | 190 | 10.50 | 267 | 2.11 | 54 | 2.61 | 66 |
| E20PBA | 11.75 x 13.00 x 9.00 | 298 x 330 x 229 | 30.5 mm | 20 | 11.19 x 12.12 | 284 x 308 | 11.69 x 13.22 | 297 x 336 | 10.69 | 272 | 7.49 | 190 | 12.75 | 324 | 2.11 | 54 | 2.61 | 66 |
| E20PBAM | 11.75 x 13.00 x 9.00 | 298 x 330 x 229 | 22.5 mm | 20 | 11.19 x 12.12 | 284 x 308 | 11.69 x 13.22 | 297 x 336 | 10.69 | 272 | 7.49 | 190 | 12.75 | 324 | 2.11 | 54 | 2.61 | 66 |
| E25PBA | 14.00 x 13.00 x 10.12 | 356 x 330 x 257 | 30.5 mm | 25 | 13.12 x 12.12 | 333 x 308 | 13.62 x 13.22 | 346 x 336 | 12.62 | 321 | 8.59 | 218 | 12.75 | 324 | 2.11 | 54 | 2.61 | 66 |
| E25PBAM | 14.00 x 13.00 x 10.12 | 356 x 330 x 257 | 22.5 mm | 25 | 13.12 x 12.12 | 333 x 308 | 13.62 x 13.22 | 346 x 336 | 12.62 | 321 | 8.59 | 218 | 12.75 | 324 | 2.11 | 54 | 2.61 | 66 |
| E30PBA | 14.00 x 15.00 x 10.12 | 356 x 381 x 257 | 30.5 mm | 30 | 13.12 x 14.38 | 333 x 365 | 13.62 x 15.47 | 346 x 393 | 12.62 | 321 | 8.59 | 218 | 15.00 | 381 | 2.11 | 54 | 2.61 | 66 |
| E30PBAM | 14.00 x 15.25 x 10.12 | 356 x 387 x 257 | 22.5 mm | 30 | 13.12 x 14.38 | 333 x 365 | 13.62 x 15.47 | 346 x 393 | 12.62 | 321 | 8.59 | 218 | 15.00 | 381 | 2.11 | 54 | 2.61 | 66 |



VIEW X-X



Hole Arrangement

