



[Catalog Home](#)

Product Datasheet



ANDERSON FARGO

SDT286N -- Strain Clamp, Quadrant, Heavy Duty, T2 Conductor



Strain Clamp, Quadrant, Heavy Duty, T2 Conductor, Aluminum, Conductor Range 0.398 - 0.447 in, Fitting: None

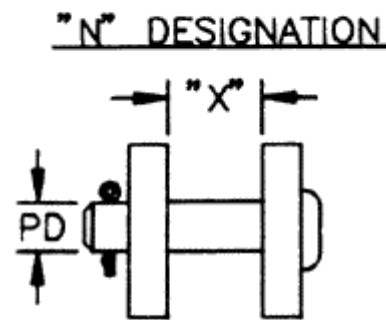
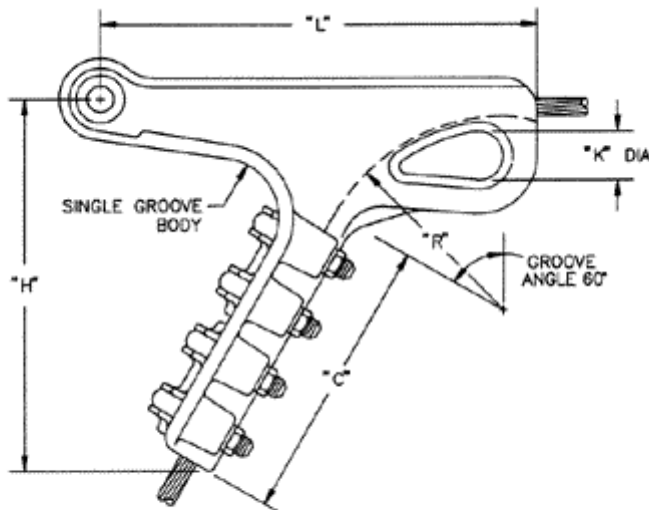
Product Specifications

<p>Category Image</p>	 <p>Bolted Deadends Aluminum & Bronze Quadrant Aluminum & Copper Conductor</p>
<p>Series Image (Quadrant)</p>	 <p>SD Series Quadrant Dead End Bolted, Aluminum AAC, AAAC & ACSR Conductor</p>
<p>PDF Catalog Page</p>	<p>Click HERE to view the web page.</p>
<p>Fitting Type</p>	<p>None</p>
<p>Style</p>	<p>SDT2 - Strain Clamp, Quadrant, Heavy Duty, T2 Conductor</p>
<p>Type</p>	<p>Bolted</p>
<p>Material</p>	<p>Aluminum</p>
<p>Voltage Application</p>	<p>Std</p>
<p>Body and Keeper Material</p>	<p>356 T6 Aluminum Alloy</p>
<p>Cotter Pin Material</p>	<p>#302 Stainless Steel</p>

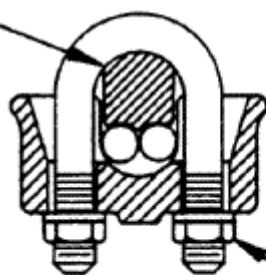
Hardware Material	Galvanized Steel
Ultimate Body Strength	25,000 lb (11,340 kg)
U-Bolts	4
Bolt Size	.50 in (12.70 mm)
Dimension C	7 3/8 in (187.33 mm)
Dimension H	9 5/8 in (244.48 mm)
Dimension K	1.25 in (31.75 mm)
Dimension L	11.25 in (285.75 mm)
Dimension R	5 in (127 mm)
Pin Diameter	0.625 in (15.88 mm)
Clevis Opening	1.063 in (26.99 mm)
Dimension X	1 1/16 in (26.99 mm)
Conductor Range Minimum - Maximum	AAC 2/0 str (7) Thru AAC 2/0 str (19) ACSR 1/0 (6/1) Thru ACSR 2/0 (6/1)
Minimum Conductor Diameter	0.398
Maximum Conductor Diameter	0.447
Weight / Ea.	5.29 lbs
Standard Package	12
UPC Code	09635932570

Compressed Product Number

SDT286N



DOUBLE GROOVE
KEEPER



TIGHTEN TO RECOMMENDED
TORQUE

Dimensions

[Catalog Home](#)



[Warranty Info](#) | [Trademarks](#) | [Terms of Use](#)

All contents Copyright © 2007 Hubbell Power Systems, Inc. All rights reserved.

NOTE: Because Hubbell has a policy of continuous product improvement, we reserve the right to change design and specifications without notice.