



Product Datasheet



ANDERSON FARGO

SD130C -- Strain Clamp, Quadrant, Heavy Duty



Strain Clamp, Quadrant, Heavy Duty, Aluminum, Conductor Range 0.7 - 1.39 in,
Fitting: Clevis

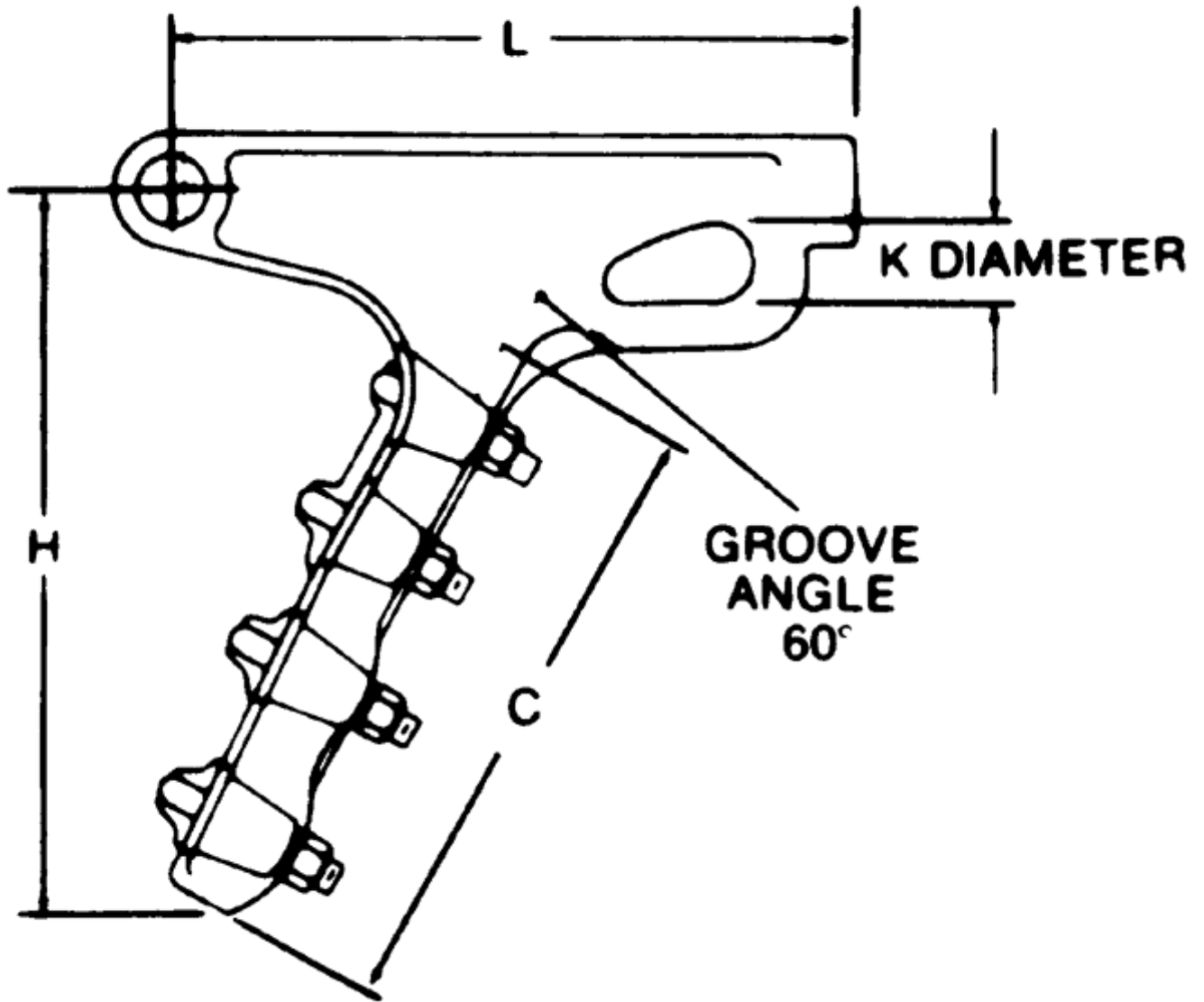
Product Specifications

<p>Category Image</p>	 <p>Bolted Deadends Aluminum & Bronze Quadrant Aluminum & Copper Conductor</p>
<p>Series Image (Quadrant)</p>	 <p>SD Series Quadrant Dead End Bolted, Aluminum AAC, AAAC & ACSR Conductor</p>
<p>PDF Catalog Page</p>	<p>Click HERE to view the web page.</p>
<p>Fitting Type</p>	<p>Clevis</p>
<p>Style</p>	<p>SD - Strain Clamp, Quadrant, Heavy Duty</p>
<p>Type</p>	<p>Bolted</p>
<p>Material</p>	<p>Aluminum</p>
<p>Fitting Catalog No.</p>	<p>CA-10-13</p>
<p>Voltage Application</p>	<p>Std</p>
<p>Body and Keeper Material</p>	<p>356 T6 Aluminum Alloy</p>
<p>Socket and Clevis Material</p>	<p>Galvanized Ductile Iron</p>
<p>Clevis Pin Material</p>	<p>Galvanized Ductile Iron</p>
<p>Cotter Pin Material</p>	<p>#302 Stainless Steel</p>
<p>Hardware Material</p>	<p>Galvanized Steel</p>

Ultimate Body Strength	25,000 lb (11,340 kg)
U-Bolts	5
Bolt Size	5/8 in (15.88 mm)
Dimension C	9.5 in (241.3 mm)
Dimension H	13 1/8 in (333.38 mm)
Dimension K	1 .50 in (38.1 mm)
Dimension L	14 in (355.60 mm)
Dimension W	1 7/16 in (36.51 mm)
Pin Diameter	0.625 in (15.88 mm)
Clevis Opening	.875 in (22.23 mm)
Conductor Range Minimum - Maximum	AAC 397.5 kcmil (19) Thru AAC 1431 kcmil (61) AAAC 394.6 kcmil str (19) Thru AAAC 932.6 kcmil str (37) ACSR 203.2 kcmil (16/19) Thru ACSR 1351.5 kcmil (45/7) ACAR 503.6 kcmil (15/4) Thru ACAR 1361.5 kcmil (54/7)
Minimum Conductor Diameter	0.7
Maximum Conductor Diameter	1.39
Weight / Ea.	15.19 lbs
Standard Package	4
UPC Code	09635932522

Compressed Product Number

SD130C



Dimensions

[Catalog Home](#)



[Warranty Info](#) | [Trademarks](#) | [Terms of Use](#)

All contents Copyright © 2007 Hubbell Power Systems, Inc. All rights reserved.

NOTE: Because Hubbell has a policy of continuous product improvement, we reserve the right to change design and specifications without notice.